

Z5175
Qi Horizontal bracket
Mounting instructions (1.0E)

**WARNING!****References in the manual**

This refers to a potentially dangerous situation which may lead to personal injury.

CAUTION!

This refers to a potentially dangerous situation which may lead to damage to the equipment.

IMPORTANT!

This refers to a situation which may cause the equipment to malfunction.

Note:**Additional informations****Symbols on the equipment**

Please refer to the information in the operating manual.

**General Information**

Z5175 Qi Horizontal bracket
Mounting instructions

Version 1.0E, 02/2005, D2975.E.01

© by d&b audiotechnik AG 2005; all rights reserved.

The information contained in this manual has been carefully checked for accuracy, at the time of going to press, however no guarantee is given with respect to the correctness.

d&b audiotechnik AG accepts no responsibility for any errors or inaccuracies that may appear in this manual or the products and software described in it.

Technical specifications, dimensions, weights and properties do not represent guaranteed qualities.

d&b audiotechnik AG
Eugen-Adolff-Strasse 134, D-71522 Backnang, Germany
Telephone +49-7191-9669-0, Fax +49-7191-95 00 00
E-mail: docadmin@dbaudio.com, Internet: www.dbaudio.com

Z5175 Qi Horizontal bracket

Table of content

1. Product description.....	3
2. Safety instructions.....	3
3. Load safety information.....	3
4. Part list Z5175 Qi Horizontal bracket.....	4
5. Weight Z5175 Qi Horizontal bracket.....	4
6. Assembly.....	4
6.1. Mounting options.....	4
7. Dimensions Z5175 Qi Horizontal bracket.....	5

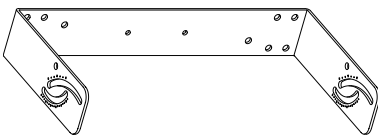


Fig. 1: Z5175 Qi Horizontal bracket

1. Product description

The Z5175 Qi Horizontal bracket enables Q- and Qi-Series loudspeaker cabinets (Q7/Q10 and Qi7/Qi10) to be mounted and set to different horizontal or vertical angles.

The horizontal bracket can be used for the following applications:

- Horizontal or vertical mounting directly to walls, ceilings or other suitable surfaces.
- Flown horizontally using the Z5010 TV spigot with fixing plate, which can be used in conjunction with either the Z5012 Pipe clamp (WLL max. 50 kg/110.2 lb). The Z5012 can be used for overhead bars or trusses with a tube diameter between 32 mm and 50 mm (1.25" to 2").
- Flown horizontally from steel wire ropes using two Q3091 M8 safety eyebolts.
- Flown vertically using the Z5054 Ci60/Ci90 Flying adapter.
- Flown in a vertical array of two cabinets using two Z5175 Qi Horizontal brackets coupled with the Z5053 Ci60/Ci90 Bracket connector and the Z5054 Ci60/Ci90 Flying adapter.
- Flown side by side in a horizontal array of two cabinets using two Z5175 Q Horizontal brackets coupled with Z5044 MAX Bracket connector.

2. Safety instructions

The Z5175 Qi Horizontal bracket must only be used in conjunction with the d&b Q-Series loudspeaker as described in this mounting instructions.

Installation should only be carried out by fully trained personnel. There are certain rules for installation that must be complied with.

It is the responsibility of the person installing the assembly to ensure that the structure being attached to is suitable for the intended use.

Secondary safeties must always be provided and used when flying or fixing loudspeaker loads overhead.

3. Load safety information

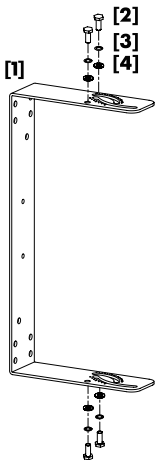
The maximum permitted working load limit (WLL) of the Z5175 Qi Horizontal bracket is 22 kg/49 lb (a single Q7/Qi7/Q10/Qi10 cabinet).



WARNING!



WARNING!



**Fig. 2: Z5175 Qi Horizontal bracket
Part list**

4. Part list Z5175 Qi Horizontal bracket

- 1 x Z5175 Qi Horizontal bracket **[1]** including:
 - 4 x M10 x 25 Hex head bolt **[2]**
 - 4 x M10 Spring washer **[3]**
 - 4 x 10.5 Plain washer **[4]**

5. Weight Z5175 Qi Horizontal bracket

4 kg/8.8 lb

IMPORTANT!

6. Assembly

Each bracket end is attached to the M10 threaded inserts on the top and bottom of the Q/Qi cabinets using the M10 x 25 hex head bolts **[2]**, spring **[3]** and plain **[4]** washers supplied. (Tool required: Open ended spanner/wrench SW 17 mm)

Fixing bolts with a thread length longer than 25 mm must not be used. Longer bolts can punch in the cabinet threaded inserts and breach the cabinet's airtight seal.

6.1. Mounting options

Mounting holes are provided on the back of the bracket for fixing to a wall, ceiling or other suitable surface. Use two of the holes on each end of the bracket to provide adequate support.

Centred on the back of the bracket are two 9 mm (0.35") holes at the d&b standard spacing of 115 mm (4.5"), for attaching the Z5010 TV spigot with fixing plate or Q9031 M8 Safety eyebolts. Refer to the specific mounting instructions for assembly and operation of these accessories.

Five mounting holes are provided at each end on the back of the bracket to attach the Z5044 MAX Bracket connector, the Z5053 Ci60/Ci90 Bracket connector or the Z5054 Ci60/Ci90 Flying adapter. Refer to the specific mounting instructions for assembly and operation of these accessories.



**Fig. 3: Provided holes on the back of the
bracket**

(a) (b) (c)

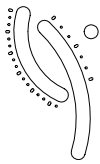


Fig. 4:

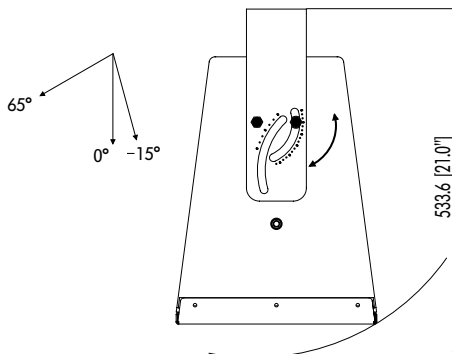


Fig. 5:

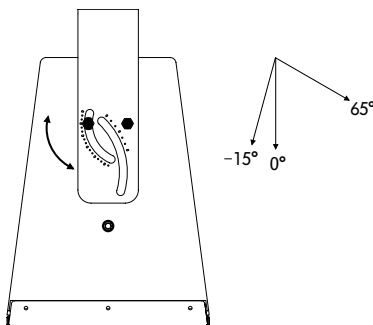


Fig. 6:

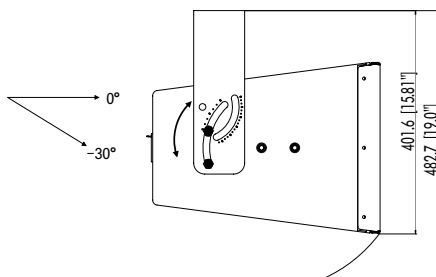


Fig. 7:

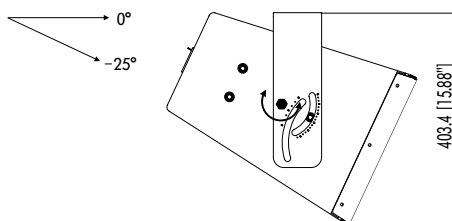


Fig. 8:

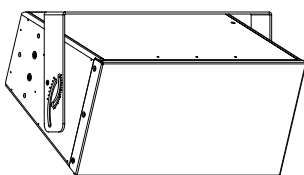


Fig. 9: Example (low height ceiling)

Applications and coverage angles

Each end of the bracket (Fig. 4) is provided with two semi-circular slots 12 mm (0.47") wide, (a, b), marked with 5° and 15° detents and one 12 mm (0.47") hole (c). Slot (a) allows angle settings over a range of 80° and slot (b) over a range of 30°.

The following applications and coverage angles are possible:

Wall and ceiling mounting

Using the rear pair of M10 threaded inserts on the top and bottom of the Q/Qi cabinets;

- one bolt is fitted to the 12 mm hole (c) and a second to the semi-circular slot (a) on each end of the bracket (Fig. 5/6). The vertical coverage angle can be set over a range of 80° (+65° to -15°) and defined by the resulting angle of the loudspeaker axis relative to the plane of the mounting surface. The angle can be read from the point on the scale which corresponds to the centre of the fixing bolt in slot (a).
- both bolts are fitted to the semi-circular slot (b) on each end of the bracket (Fig. 7). The vertical coverage angle can be set over a range of 30° (0° to -30°) and defined by the resulting angle of the loudspeaker axis relative to the plane of the mounting surface. The angle can be read from the point on the scale that corresponds to the centre of the fixing screw in slot (b).

Ceiling mounting – low height (Fig. 8/9 - Qi7/Qi10 only)

It is recommended in this instance to mount the bracket to the single, centre M10 threaded inserts on the top and bottom of the Qi cabinets using hole (c). The vertical coverage angle can be set over a range of 25° (0° to -25°)

7. Dimensions Z5 175 Qi Horizontal bracket

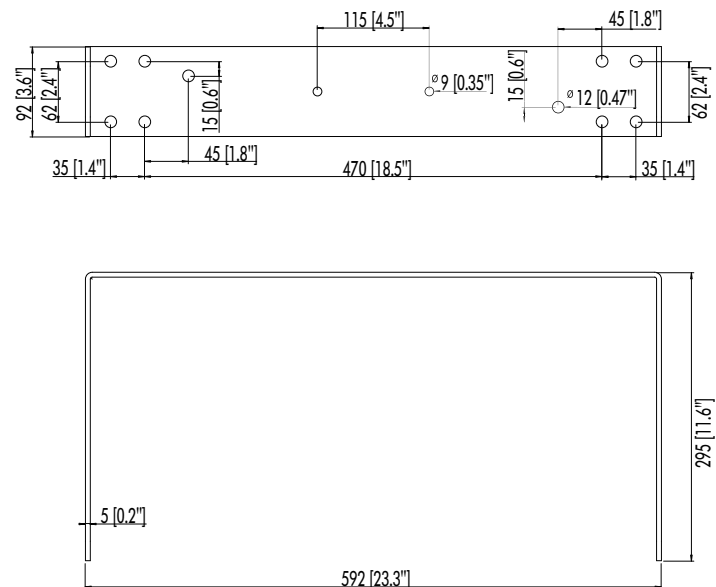


Fig. 10: Z5 175 Qi Horizontal bracket dimensions in mm [inch]

