

E15-BX

Data Sheet

Safety precautions

Never stand in the immediate vicinity of loudspeakers driven at a high level. Professional loudspeaker systems are capable of causing a sound pressure level detrimental to human health. Seemingly non-critical sound levels (from approx. 95 dB SPL) can cause hearing damage if people are exposed to it over a long period.

In order to prevent accidents when deploying loudspeakers on the ground or when flown, please take note of the following:

When setting up the loudspeakers or loudspeaker stands, make sure they are standing on a firm surface. If you place several systems on top of one another, use straps to secure them against movement.

Only use accessories which have been tested and approved by d&b for assembly and mobile deployment. Pay attention to the correct application and maximum loading capacity of the accessories as specified in our "Rigging accessories" manual.

Ensure that all additional hardware, fixings and fasteners used for installation or mobile deployment are of an appropriate size and load safety factor. Pay attention to the manufacturers instructions and to the relevant safety guidelines.

Regularly check the loudspeaker housings and accessories for visible signs of wear and tear, and replace them when necessary.

Regularly check all load bearing bolts in the mounting devices.

Loudspeakers produce a static magnetic field even if they are not connected or are not in use. Therefore make sure when erecting and transporting loudspeakers that they are nowhere near equipment and objects which may be impaired or damaged by an external magnetic field. Generally speaking, a distance of 0.5 m (1.5 ft) from magnetic data carriers (floppy disks, audio and video tapes, bank cards, etc.) is sufficient; a distance of more than 1 m (3 ft) may be necessary with computer and video monitors.

WARNING!

CAUTION!

General Information

E15-BX Data Sheet

Version 2.0E, 05/2001, D2082.E.02

© by d&b audiotechnik AG 2001; all rights reserved.

The information presented in this document is, to the best of our knowledge, correct. We will however not be held responsible for the consequences of any errors or omissions.

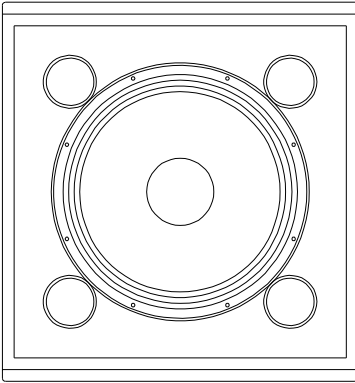
Technical specifications, weights and dimensions should always be confirmed with d&b audiotechnik AG prior to inclusion in any additional documentation.

d&b audiotechnik AG

Eugen-Adolff-Strasse 134, D-71522 Backnang

Telephone +49-7191-9669-0, Fax +49-7191-95 00 00

E15-BX



The E15-BX passive subwoofer system is used to extend the low frequency range of the E9 loudspeaker. The E15-BX bass-reflex cabinet is fitted with a single 15" driver and an internal passive crossover.

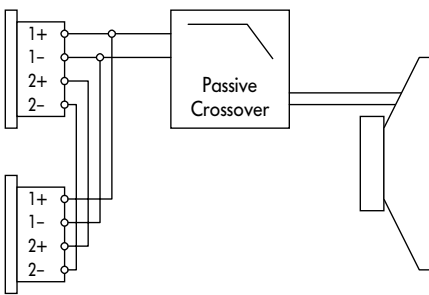
The E15-BX cabinet is constructed from marine plywood, fitted with steel handles and has an impact resistant paint finish. The front of the loudspeaker cabinet is fitted with a rigid metal grill and covered with a replacable acoustically transparent foam. Mounted on the rear panel are two Speakon NL4 or EP-5 connectors wired in parallel and on the top panel an M20 threaded flange to accept the d&b Z5013 loudspeaker stand for the deployment of full range cabinets.

The passive crossover network has a cutoff frequency of 150 Hz. The E15-BX can be connected in parallel with an E9 or MAX cabinet without active filtering. No additional electronics are required.

Driving an E15-BX in parallel with other full range loudspeakers like E3, C6 or C7-TOP is not practicable, because their respective controllers only transmit the frequency range above 80 Hz (E3) or 70 Hz (C6, C7).

Only operate E15-BX loudspeakers with a d&b P1200A mainframe fitted with E9, ampMAX or AMP-L controller modules. As an alternative other high quality power amplifiers may be used, provided their output power does not exceed 500 watts into 8 ohms and an additional subsonic filter is used (25 Hz with 12 dB/octave minimum), otherwise there is a risk of damaging the loudspeaker components.

CAUTION!



Connector wiring

Connections

The E15-BX cabinet is fitted with a pair of Speakon-NL4 connectors. All four pins of both connectors are wired in parallel. The E15-BX uses the pin assignments 1+/1-. Pins 2+/2- are designated to d&b C and E-Series active subwoofers. Using one connector as the input, the second connector allows for direct connection to additional loudspeakers.

The E15-BX can be supplied with EP-5 output connectors as an option. Pin equivalents of Speakon-NL4 and EP-5 connectors are listed in the table below.

IMPORTANT!

The E15-BX is operated in parallel to a full range loudspeaker or direct from the E9-CO and driven using pins 1+ and 1-, hence the difference in the pin assignment to d&b active subwoofers.

EP-5	1	2	3	4	5
NL4	1+	1-	2+	2-	n.c.

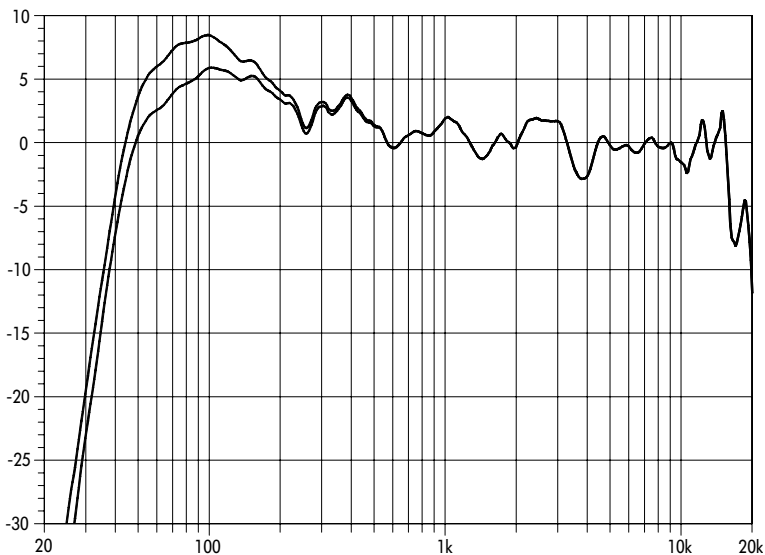
Speakon- NL4 and EP-5 pin assignments

Operation with d&b P1200A and E9 controller

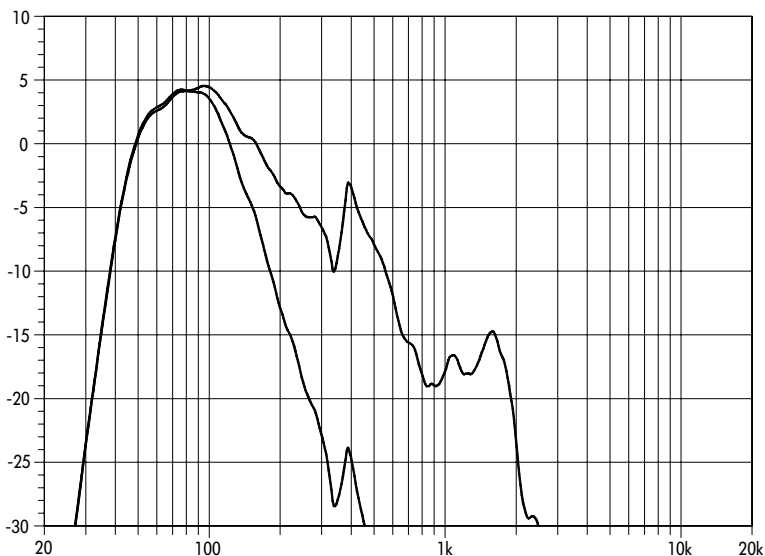
The characteristics of the configuration switches on the E9 controller are described previously in the E9 section of this manual.

The E9 loudspeaker has a frequency response covering the 50 Hz to 17 kHz band. When combined with an E15-BX the systems low frequency SPL increases by 6 dB. To compensate for this selecting the BX switch on the E9 controller attenuates the LF by 3 dB. One E9 and one E15-BX linked together locally can be driven by each output channel of a P1200A mainframe.

The E15-BX can also be used actively, driven from its own P1200A mainframe channel fitted with an E9 controller module. The active configuration (SUB setting selected on the E9-CO) allows up to two E15-BX cabinets to be driven from one mainframe output. If E9's are deployed as mid/high cabinets, they have to be driven by a separate mainframe channel fitted with an E9-CO and CUT (highpass) selected.



E9 with E15-BX, frequency response, standard and BX switch settings



E15-BX frequency response, active and passive setup with E9-CO

Technical specifications

E15-BX system data, passive setup with E9-CO

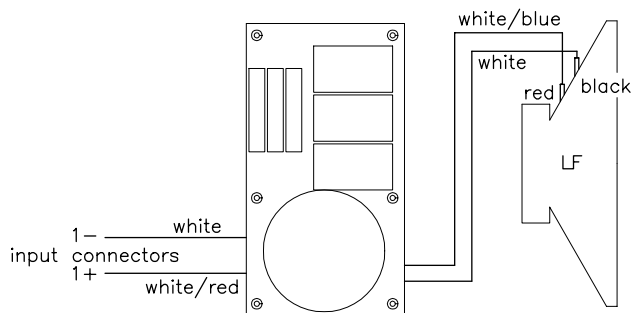
Frequency response (-5 dB).....	45 Hz ... 180 Hz
Max. sound pressure (1 m, free field).....	126 dB (SPLmax peak, pink noise test signal with crest factor of 4)
Input level (SPLmax).....	+12 dBu
Input level (100 dB-SPL / 1 m)	-10 dBu
Polarity to controller INPUT (XLR pin 2: + / 3: -)	LF: +

E15-BX system data, active setup with E9-CO

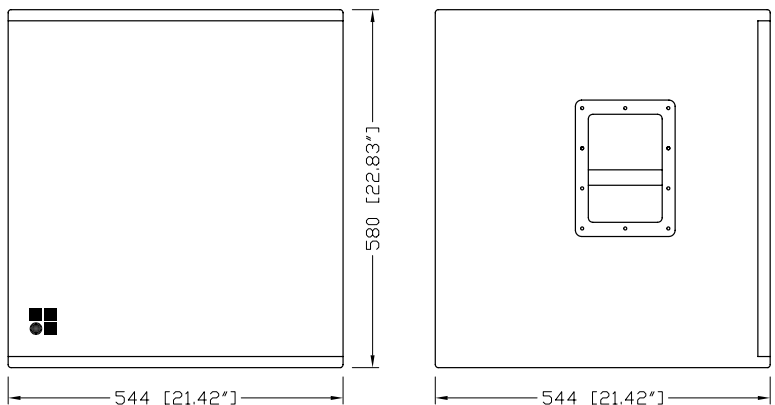
Frequency response (-5 dB).....	45 Hz ... 130 Hz
Max. sound pressure (1 m, free field).....	128 dB (SPLmax peak, pink noise test signal with crest factor of 4)
Input level (SPLmax).....	+14 dBu
Input level (100 dB-SPL / 1 m)	-11 dBu
Polarity to controller INPUT (XLR pin 2: + / 3: -)	LF: +

E15-BX Subwoofer

Nominal impedance.....	8 ohms
Power handling capacity (RMS / peak 10 ms).....	300 / 1200 W
Connections	2 x Speakon-NL4 (optional 2 x EP-5)
Pin assignments	1+ / 1-(EP-5: 1 / 2)
Weight	38 kg (84 lb)



E15-BX wiring diagram



E15-BX cabinet dimensions in mm [inch]

