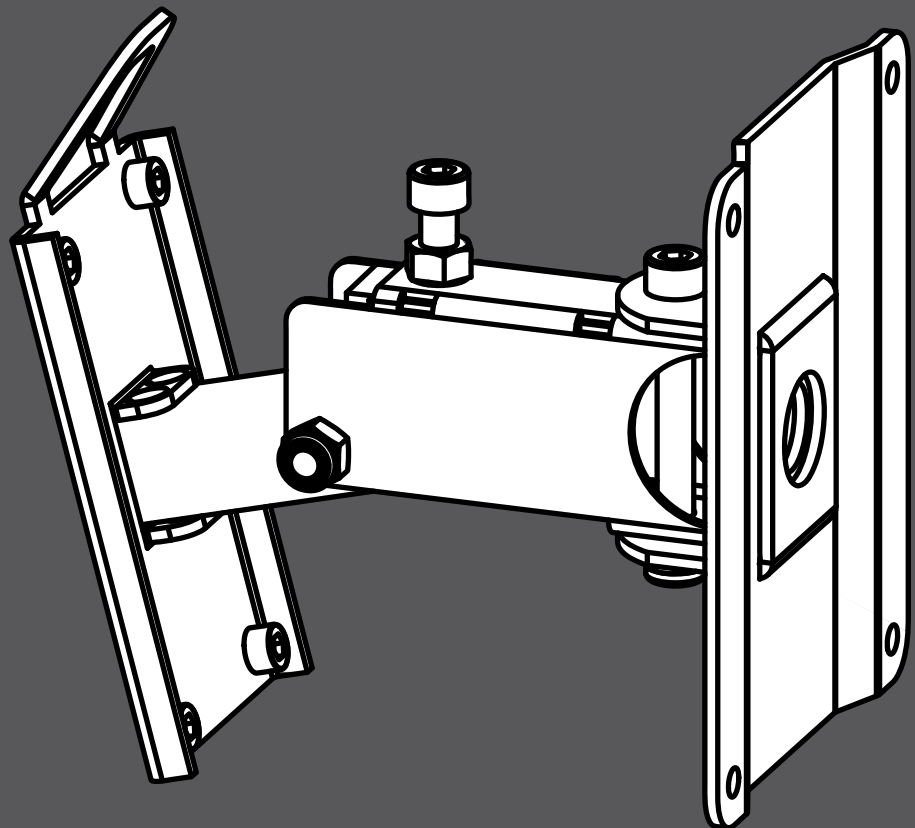


# Z

## Z5442 Mounting instructions 1.2 en



## **General information**

Z5442 Mounting instructions

Version: 1.2 en, 09/2016, D2621.EN .01

Copyright © 2016 by d&b audiotechnik GmbH; all rights reserved.

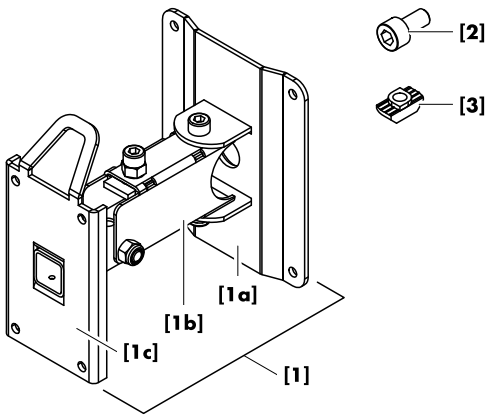
**Keep these mountings instructions with the product or in a safe place so that they are available for future reference.**

When reselling this product, hand over these mounting instructions to the new owner.

d&b audiotechnik GmbH  
Eugen-Adolff-Strasse 134, D-71522 Backnang, Germany  
T +49-7191-9669-0, F +49-7191-95 00 00  
docadmin@dbaudio.com, www.dbaudio.com

<b>1. Z5442 Wall mount column</b> .....	<b>4</b>
1.1. Scope of supply.....	4
1.2. Safety precautions.....	4
1.3. Intended use.....	5
<b>2. Assembly</b> .....	<b>6</b>
<b>3. Fixing template</b> .....	<b>9</b>
<b>4. Built-in dimensions</b> .....	<b>10</b>
<b>5. Declarations</b> .....	<b>11</b>
5.1. Manufacturer's declaration.....	11
5.2. Disposal.....	11

# 1. Z5442 Wall mount column



## 1.1. Scope of supply

Please verify the shipment for completeness and proper condition of the items.

Qty.	d&b Code	Description
1	<b>Z5442</b>	Wall mount column <b>[1]</b> consisting of: <ul style="list-style-type: none"><li>- Wall plate <b>[1a]</b></li><li>- Hinged bracket <b>[1b]</b></li><li>- Cabinet connecting plate <b>[1c]</b></li></ul> <b>Note:</b> Due to the size and easy handling of the wall plate <b>[1a]</b> , it also serves as the fixing template.
Including:		
4		Allen hex screw M6 x 12 <b>[2]</b>
4		T-slot nut 8 mm / M6 <b>[3]</b>
1	D2621.EN .01	Z5442 Mounting instructions

## 1.2. Safety precautions

### General safety

Installation and setup should only be carried out by qualified and authorized personnel observing the valid national Rules for the Prevention of Accidents (RPA).

It is the responsibility of the person installing the assembly to ensure that the suspension/fixing points are suitable for the intended use.

Always carry out a visual and functional inspection of the items before use. In case there is any doubt as to the proper functioning and safety of the items, these must be withdrawn from use immediately.

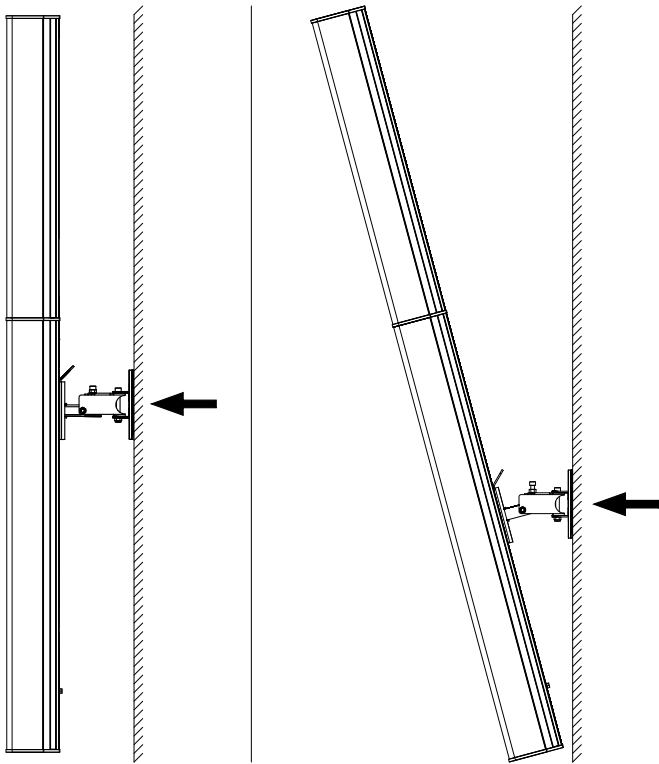
### Load safety information

#### NOTICE!

Only use mounting parts (fixing anchors and screws) that are suitable for the intended application.

Observe the occurring extraction forces acting on the fixing anchors and screws. The rated extraction force is **350 N**.

The maximum permitted working load of the Z5442 Wall mount column is 16 kg (35 lb), which corresponds to the weight of a complete 24C/24C-E assembly.



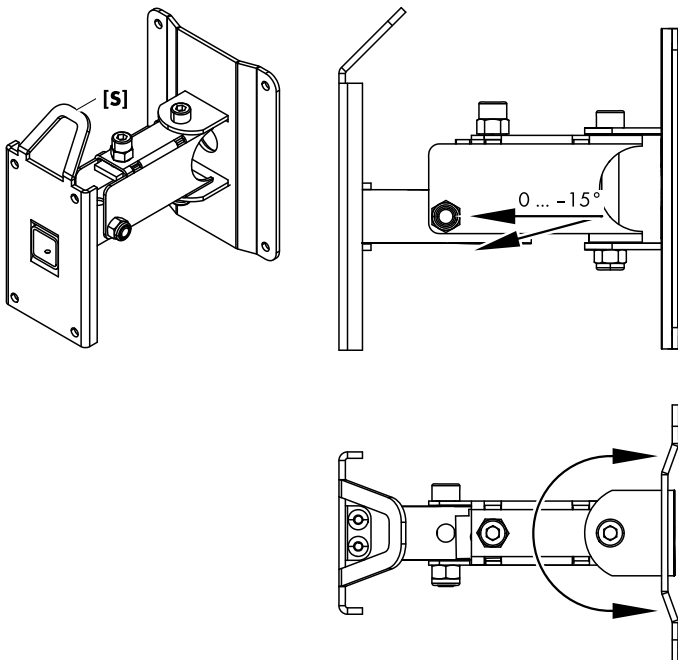
### Mounting recommendations

Basically, it does not matter in what position you attach the wall mount to the cabinet.

However, when you attach the wall mount to a complete 24C/24C-E assembly, we recommend you to attach it to the 24C cabinet instead of the extender.

It is advisable to attach the wall mount to the upper part of the 24C cabinet close to the connector panel, as shown in the graphic opposite.

To achieve the maximum downtilt of 15°, the wall mount must be attached to the center of the 24C cabinet, as shown in the graphic opposite.



### 1.3. Intended use

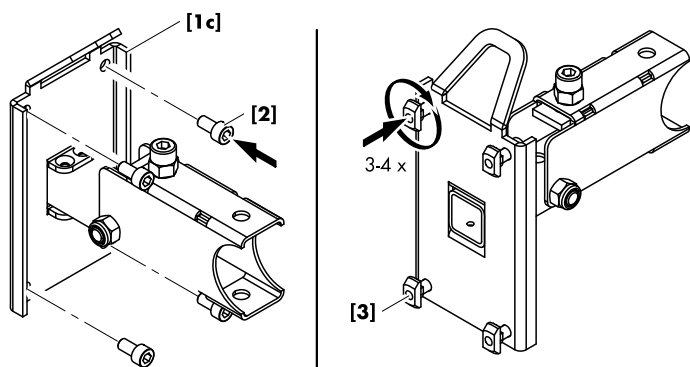
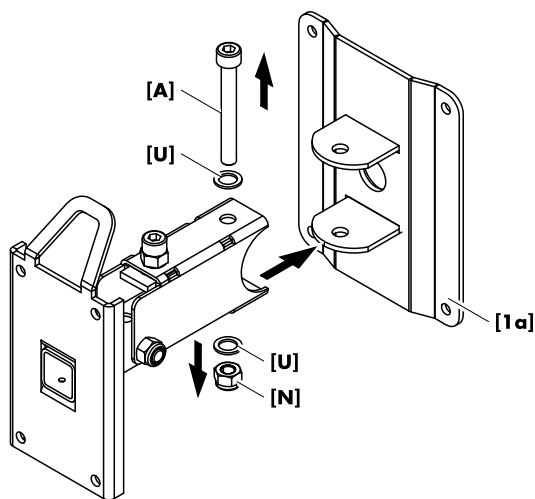
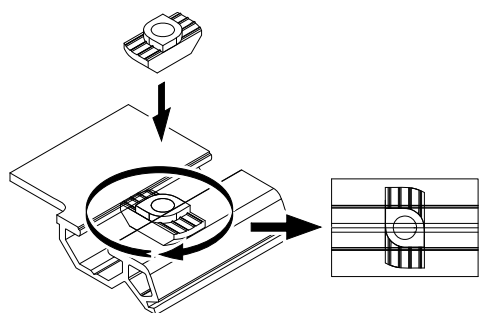
The d&b Z5442 Wall mount column must only be used in conjunction with applicable d&b column loudspeakers.

It is intended for direct wall mounting.

The eyelet **[S]** of the cabinet connecting plate is intended for attaching a secondary safety device, if required.

Depending on the application and on-site conditions, the wall mount allows a vertical downtilt of the column of 15°, while the column can be aimed horizontally within a range of  $\pm 90^\circ$ .

## 2. Assembly



### Tools required

- Open-ended spanner/wrench size #13 mm
- Torque wrench with Allen key insert size #5 mm
- Torque wrench with Allen key insert size #6 mm

### T-slot nut principle

The T-slot nut is a specially shaped nut which allows easy fitting.

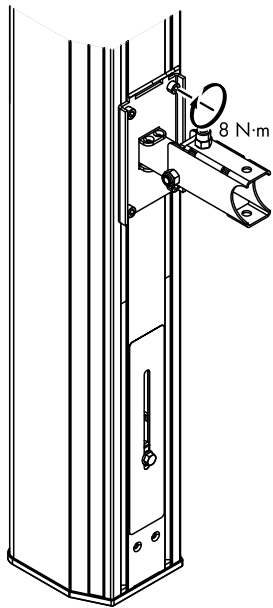
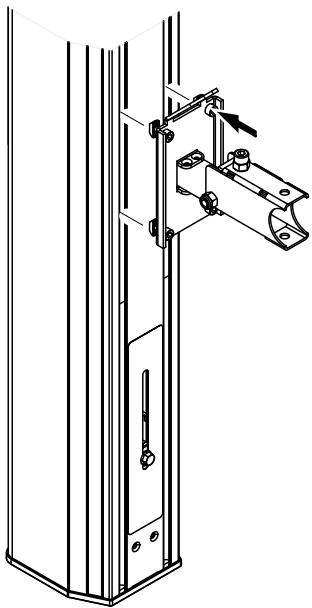
It is simply inserted into the T-slot profile and turned through 90° for final positioning.

### Dismounting the wall plate [1a]

1. Slacken and remove the self-securing nut [N].
2. Remove the U washers [U] and the Allen hex screw [A].
3. Take off the wall plate.

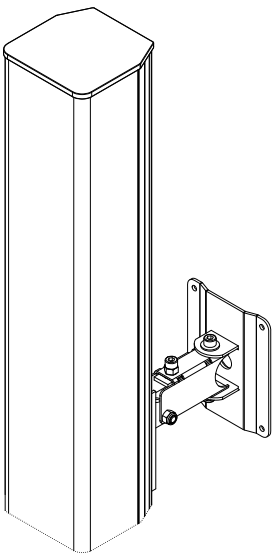
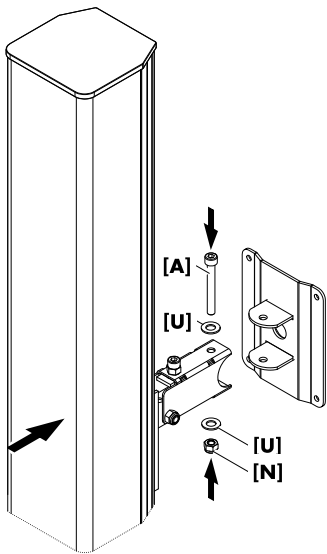
### Preparing the cabinet connecting plate [1c]

1. Insert all Allen hex screws [2] into the connecting plate [1c].
2. Fit the T-slot nuts [3] to the screws and turn the nuts 3-4 times.



### Attaching the connecting plate to the cabinet

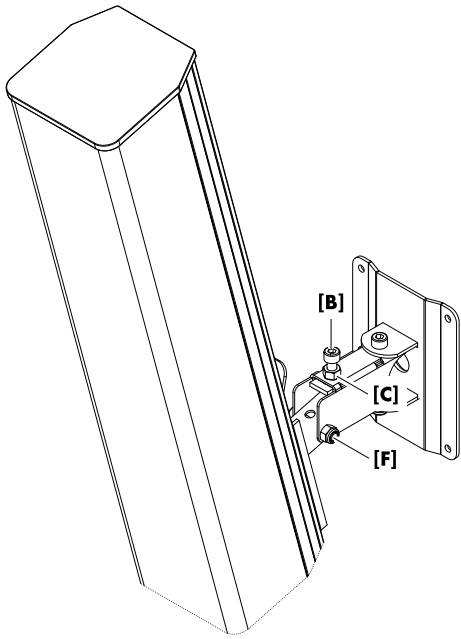
1. At rear of the cabinet, insert the T-slot nuts into the T-slot profile of the cabinet.
2. Turn the first screw through 90° to fix the T-slot nut in place.
3. Tighten the screw to a torque of 8 N·m.
4. To fix the remaining nuts, proceed in the same manner.



### Attaching the cabinet to the wall plate [1a]

Provided you have mounted the wall plate in the desired position on the wall, proceed as follows:

1. Attach the cabinet to the wall plate, as shown in the graphic opposite.
2. Insert the Allen hex screw **[A]** and attach the U washers **[U]** and the self-securing nut **[N]**.
3. Slightly tighten the nut.
4. Set your desired horizontal aiming.
5. Finally tighten the nut to fix the cabinet in its horizontal position.



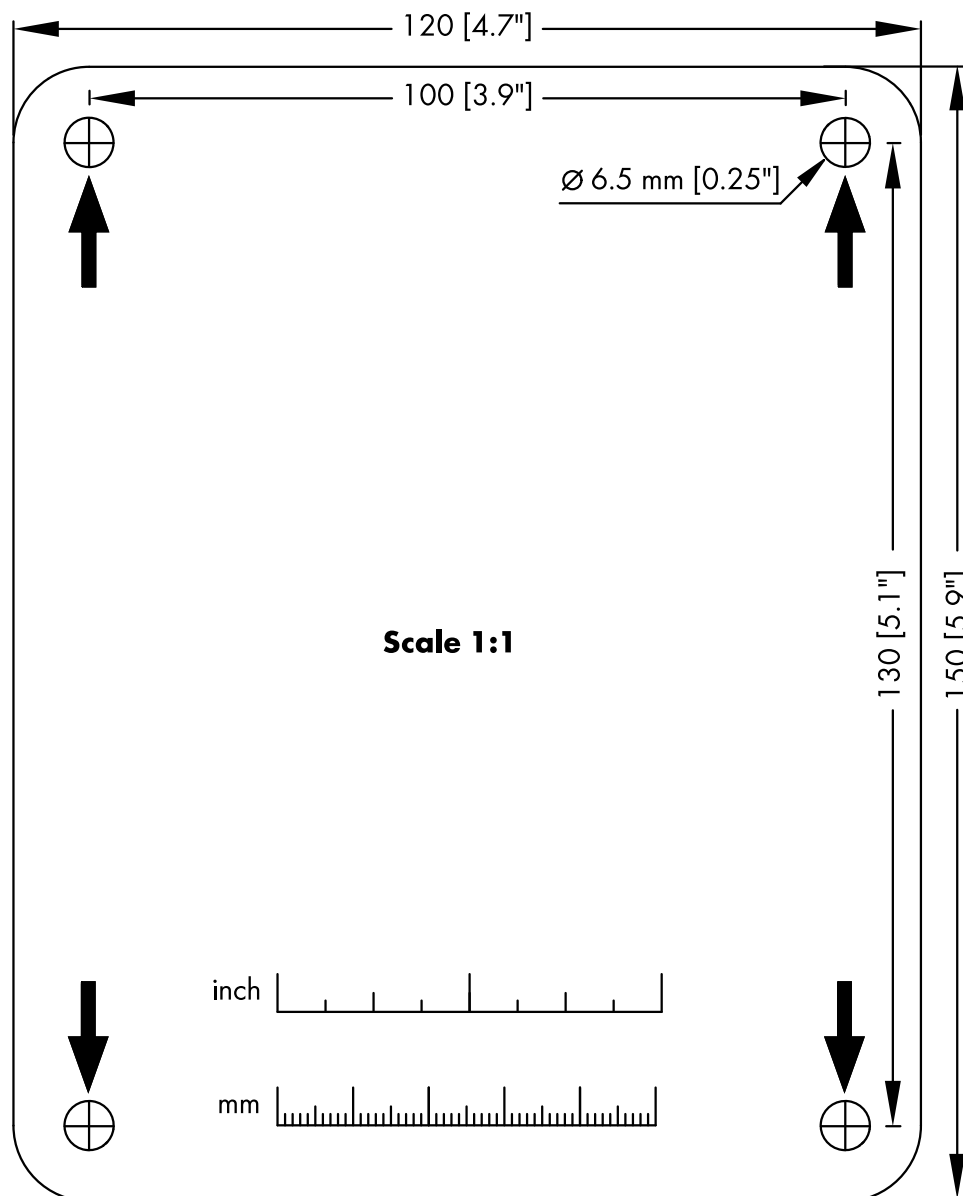
### Vertical alignment

The wall mount is equipped with a stop screw **[B]** to allow a precise vertical alignment of the cabinet.

1. Slacken the stop screw **[B]**.
2. While a second person secures the cabinet, slightly slacken the fixing bolt **[F]**.
3. Set the desired vertical downtilt.
4. Adjust the stop screw **[B]** until the desired angle is finally set.
5. Tighten the counter nut **[C]** to fix the adjustment.
6. Retighten the fixing bolt **[F]**.

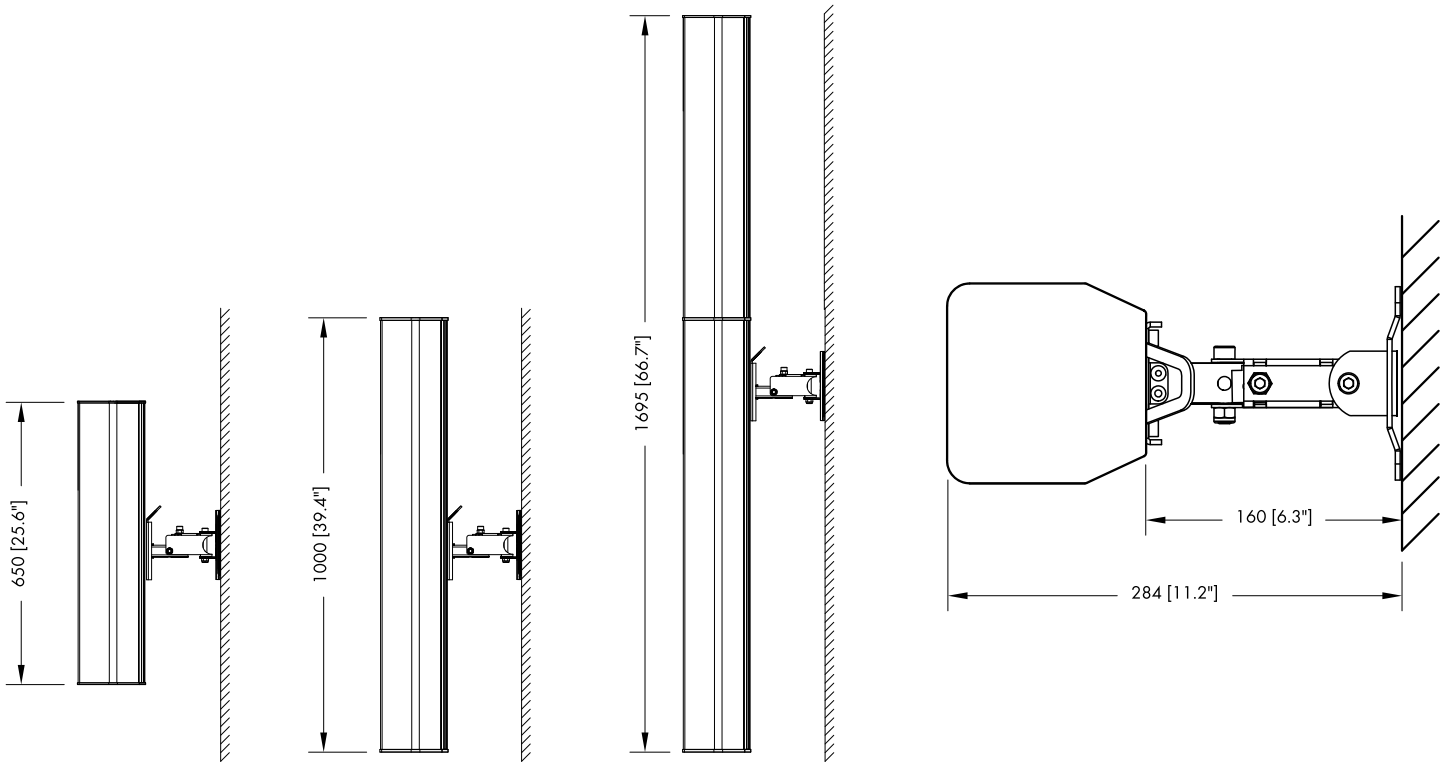


### 3. Fixing template



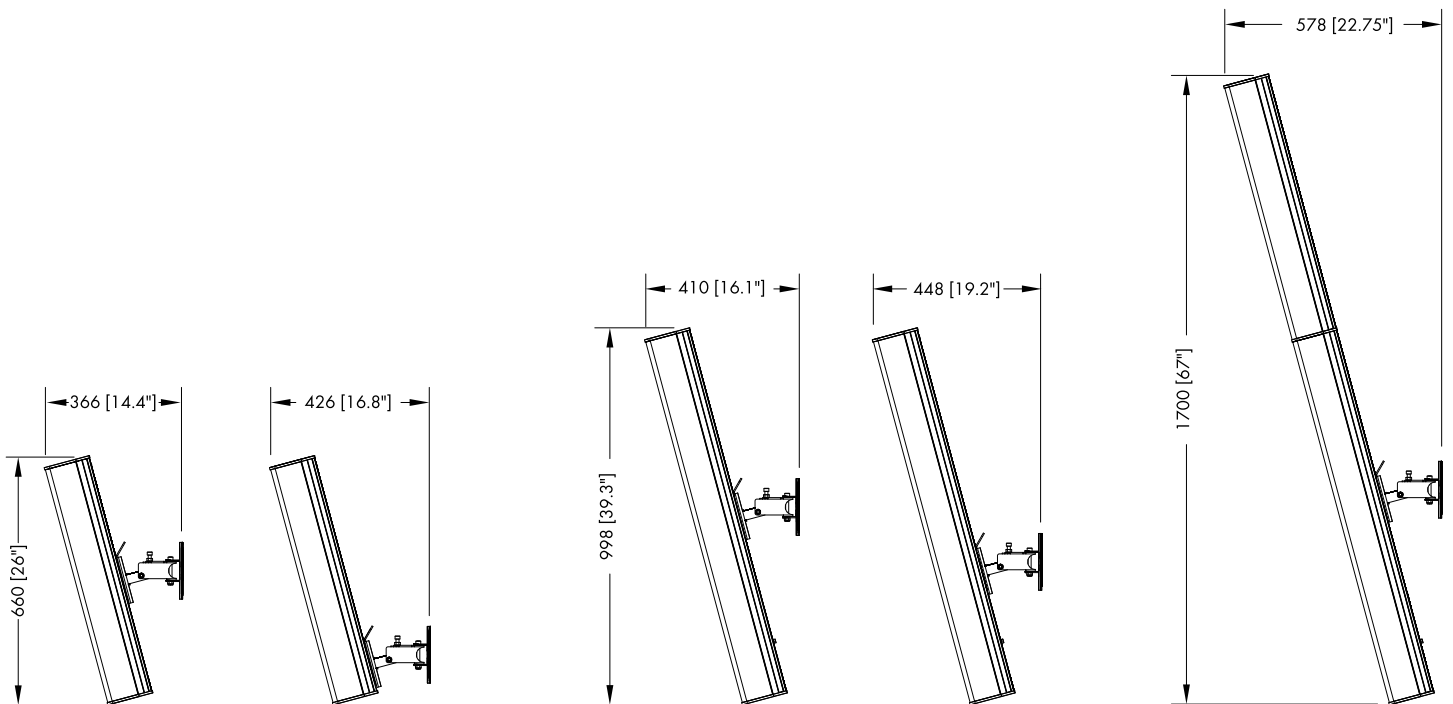
Z5442 Fixing template

## 4. Built-in dimensions



### Built-in dimensions in upright position in mm [inch]

**From left:** Total height of single 16C and 24C columns, total height of 24C with 24C-E extender, maximum depth and distance to the wall.



### Built-in dimensions at 15° downtilt in mm [inch]

**From left:** Total height and depth of single 16C and 24C columns and 24C with 24C-E extender.

## 5. Declarations

### 5.1. Manufacturer's declaration

This declaration covers:

- d&b Z5442 , Wall mount column.

### National standards and technical specifications applied:

DIN 18 800, DIN 1055, DGUV Vorschrift 17.

Backnang, 2014-02-04



Frank Bothe,  
Head of R&D  
d&b audiotechnik GmbH



### 5.2. Disposal

When out of use the rigging components must be disposed of in accordance with the national environmental regulations.

Ensure that damaged rigging components are disposed of in a way that they cannot be used again.

