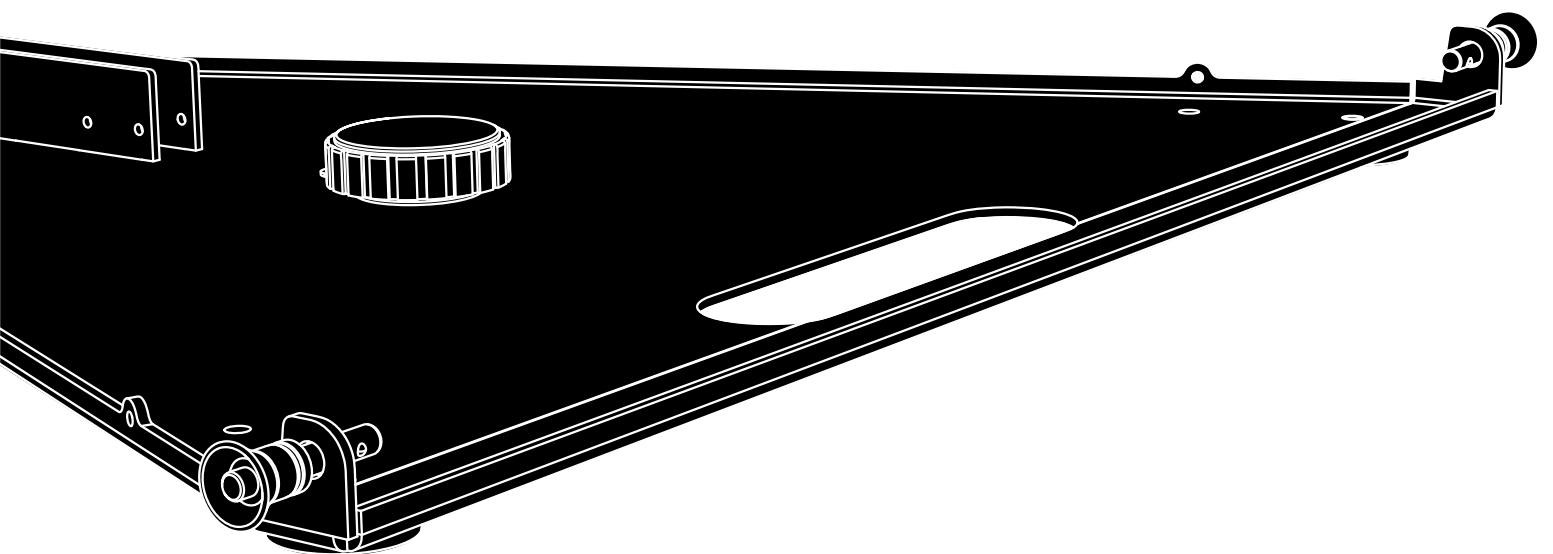


Z5396
Rigging manual 1.1 en



General information

Z5396 Rigging manual

Version: 1.1 en, 04/2020, D2720.EN .01

Copyright © 2020 by d&b audiotechnik GmbH & Co. KG; all rights reserved.

Keep this document with the product or in a safe place so that it is available for future reference.

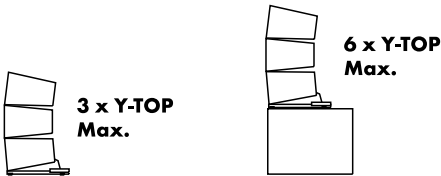
We recommend you to regularly check the d&b website for the latest version of this document.

When reselling this product, hand over this document to the new owner.

If you supply d&b products, please draw the attention of your customers to this document. Enclose the relevant documents with the systems. If you require additional documents for this purpose, you can order them from d&b.

d&b audiotechnik GmbH & Co. KG
Eugen-Adolff-Str. 134, D-71522 Backnang, Germany
T +49-7191-9669-0, F +49-7191-95 00 00
docadmin@dbaudio.com, www.dbaudio.com

1	Z5396 Y Base plate	4
1.1	Safety	4
1.1.1	Intended use	4
1.1.2	General safety	4
1.2	Scope of supply	4
2	Assembly	5
2.1	Preparing the setup	5
2.2	Order of assembly	5
2.2.1	Y8/Y12 Ground stack	5
2.2.2	Mixed ground stack	7
3	Care and maintenance	8
3.1	Transport / Storing	8
3.2	Visual and functional inspection	8
4	Manufacturer's declaration	9
4.1	EU conformity (CE symbol)	9
4.2	Disposal	9



1.1 Safety

1.1.1 Intended use

The Z5396 must only be used for ground stacked applications in connection with d&b Y-Series Y8 and Y12 cabinets as described in this manual.

The Base plate is not intended for flown use.

Note: Please note that the Base plate is **not** compatible/applicable in connection with d&b Yi8 and Yi12 cabinets.

Limitations

The Base plate is designed to support a maximum of 3 x Y-TOP cabinets when used directly on the ground.

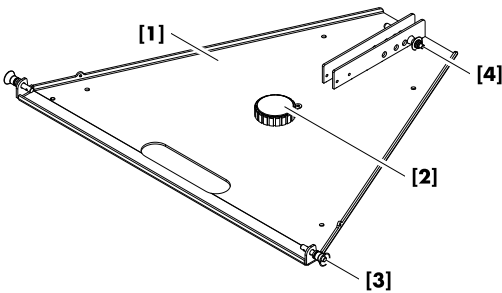
A maximum of 6 x Y-TOP cabinets are allowed when using the Base plate on top of an applicable d&b subwoofer, such as the Y-SUB.

1.1.2 General safety

Installation and setup should only be carried out by qualified and authorized personnel observing the valid national Rules for the Prevention of Accidents (RPA).

Always carry out a visual and functional inspection of the items before use. In case there is any doubt as to the proper functioning and safety of the items, these must be withdrawn from use immediately.

Please also refer to ⇒ Chapter 3 "Care and maintenance" on page 8.



1.2 Scope of supply

Please verify the shipment for completeness and proper condition of the items.

Qty.	d&b Code	Description
1	Z5396	d&b Y Base plate [1]
Including:		
1		Hand bolt M20 x 25 [2]
2		Locking pins 7 x 18 mm [3]
1		Locking pin 8 x 40 mm [4]
All items are undetachably attached to the plate using steel wire ropes.		
1	D2720.EN .01	Z5396 Rigging manual

**WARNING!**

Potential risk of personal injury and/or damage to material!

Always secure ground stacked setups against movement and possible tipping over.

Observe the maximum number of cabinets permitted. This is particularly important when setting up mixed ground stacks.

2.1 Preparing the setup

General

Check the acoustical and mechanical setup using ArrayCalc and prepare enough printouts for each array.

When on site first:

- Clear the working areas and ensure there is enough space to set up the ground stack.
- Prepare the cables and link cables according to the number of amplifier channels and cabinets used.

Inspections before setup

Before setting up the array, carry out a visual inspection of all system components for faults. This also includes the loudspeakers and in particular the rigging parts of the cabinets (Front and Splay/Rear links).

Damaged components must be withdrawn from use immediately.

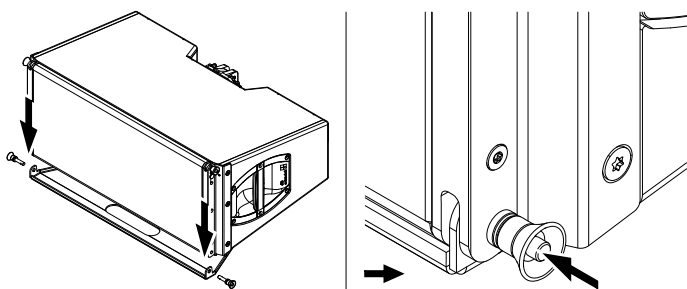
Please follow the instructions given in ⇒ Chapter 3 "Care and maintenance" on page 8.

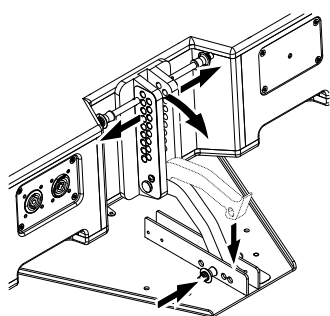
2.2 Order of assembly

2.2.1 Y8/Y12 Ground stack

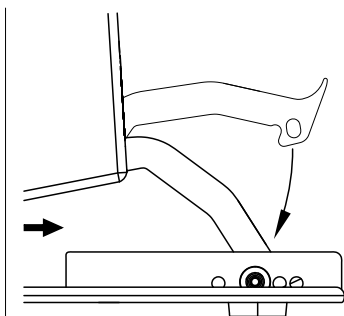
1. Attach the first cabinet to the Base plate

1. Place the Base plate on the ground.
2. Place the first cabinet onto the Base plate until the cabinet's slots fit into the corresponding fixtures on the Base plate.
3. Insert and lock the Locking pins of the Base plate on both sides.





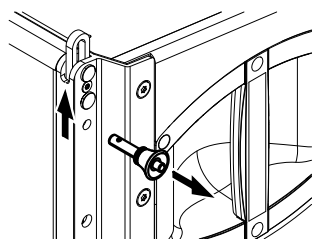
Aiming of the first cabinet
Shown: -3.5°



2. Set vertical aiming of the first cabinet

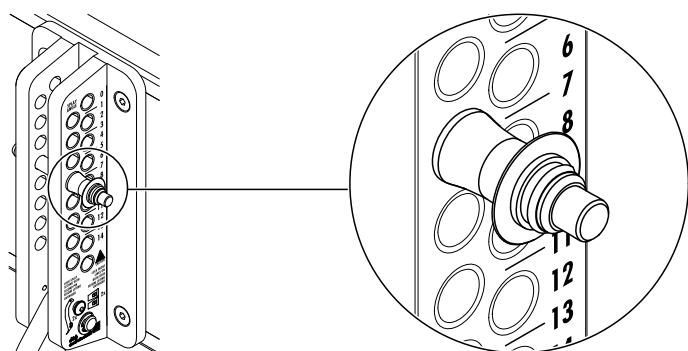
The aiming of the first cabinet can be set to -7° , -3.5° , 0° or $+3.5^\circ$.

1. At the rear release both Locking pins of the cabinet's Splay link from park position.
2. Fold out and insert the Splay link into the track of the Base plate and align the hole of the link with the desired hole of the Base plate.
3. Fix the angle of the cabinet using one Locking pin from the Base plate.



3. Add further cabinets

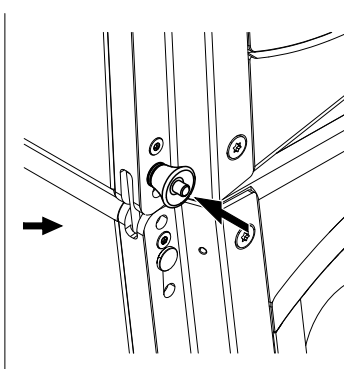
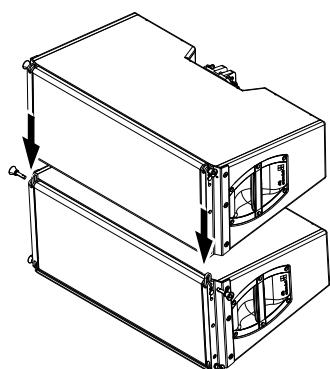
- ⇒ At the front of the first cabinet release the Locking pins of the Front links.
- ↳ The Front links will slide out automatically.



4. Preset the splay angle

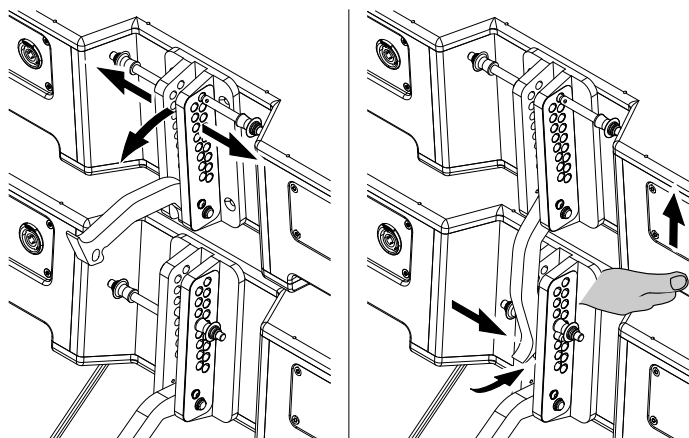
The splay angles between adjacent cabinets are defined using the central rear rigging strands of the cabinets and can be set in the range from 0° to 14° in 1° steps.

- ⇒ On the first cabinet, preselect the splay angle according to your ArrayCalc simulation and insert and lock one Locking pin in the appropriate hole.



5. Attach the next cabinet

1. Attach the next cabinet to the Front links.
2. Insert and lock the Locking pins on both sides.



3. At the rear release both Locking pins of the upper cabinet's Splay link.
4. Fold the Splay link of the upper cabinet into the rigging strand of the bottom cabinet.
5. Raise the upper cabinet until the hook of the Splay link hooks into the preset Locking pin.
6. Hold the cabinet in place and insert the second Locking pin (Safety pin) from the bottom cabinet to fix the Splay link in place.

To add further cabinets, proceed in the same manner until the assembly is completed.

6. Rig the cabling

Connect the cables and link cables according to the number of amplifier channels and cabinets used.

7. Check the assembly

Recheck the actual status of the entire assembly.

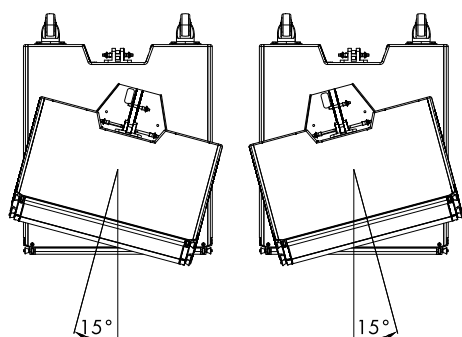
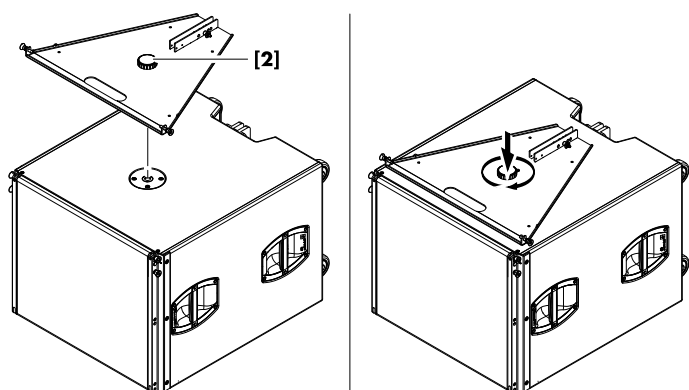
- Check all Front links on both sides of the cabinets and ensure all Locking pins are properly inserted and locked.
- Check the splay angle settings and the Splay links on the rear of the cabinets and ensure all Locking pins are properly inserted and locked.

2.2.2 Mixed ground stack

For this purpose, the Base plate is equipped with an M20 hand bolt [2] which can be attached to the M20 threaded insert of the respective subwoofer.

- ⇒ Simply fit the Base plate onto the M20 threaded insert of the subwoofer and tighten the hand bolt.

The assembly of the Y8/Y12 cabinets on top of the subwoofer is carried out in the same manner as described in the previous chapter.



Horizontal alignment

In addition, the Y8/Y12 assembly on top of the Subwoofer can be horizontally aligned to the left or to the right. However, due to the rubber feet of the Base plate, the angle is limited to 15° since the front rubber feet should always rest on the top panel of the subwoofer.

- ⇒ To perform the alignment, slightly slacken the hand bolt, align the assembly and retighten the hand bolt.

3.1 Transport / Storing

During transport ensure the rigging components are not stressed or damaged by mechanical forces. Use suitable transport cases.

Due to their surface treatment the rigging components are temporarily protected against moisture. However, ensure the components are in a dry state while stored or during transport and use.

3.2 Visual and functional inspection

**WARNING!****Potential risk of personal injury and/or damage to material**

To eliminate the potential risk of accident due to malfunctioning of a component, regularly inspect all system components.

Base plate

- Visual inspection of all fitting plates for obvious damage (e.g. cracks or corrosion).

Locking pins

- Visual inspection for deformation, cracks and corrosion of the component.
- Inspection for missing ball bearings and damage.
- Functional inspection of the release mechanism to ensure it operates properly.
- Regularly lubricate the Locking pins using WD-40® or a similar product.



4.1 EU conformity (CE symbol)

This declaration applies to:

d&b Z5396 Y Base plate

manufactured by d&b audiotechnik GmbH & Co. KG.

All product variants are included, provided they correspond to the original technical version and have not been subject to any later design or electromechanical modifications.

We herewith declare that said products are in conformity with the provisions of the respective EC directives including all applicable amendments.

A detailed declaration is available on request and can be ordered from d&b or downloaded from the d&b website at www.dbaudio.com.

4.2 Disposal

When out of use the rigging components must be disposed of in accordance with the national environmental regulations.

Ensure that damaged rigging components are disposed of in a way that they cannot be used again.

