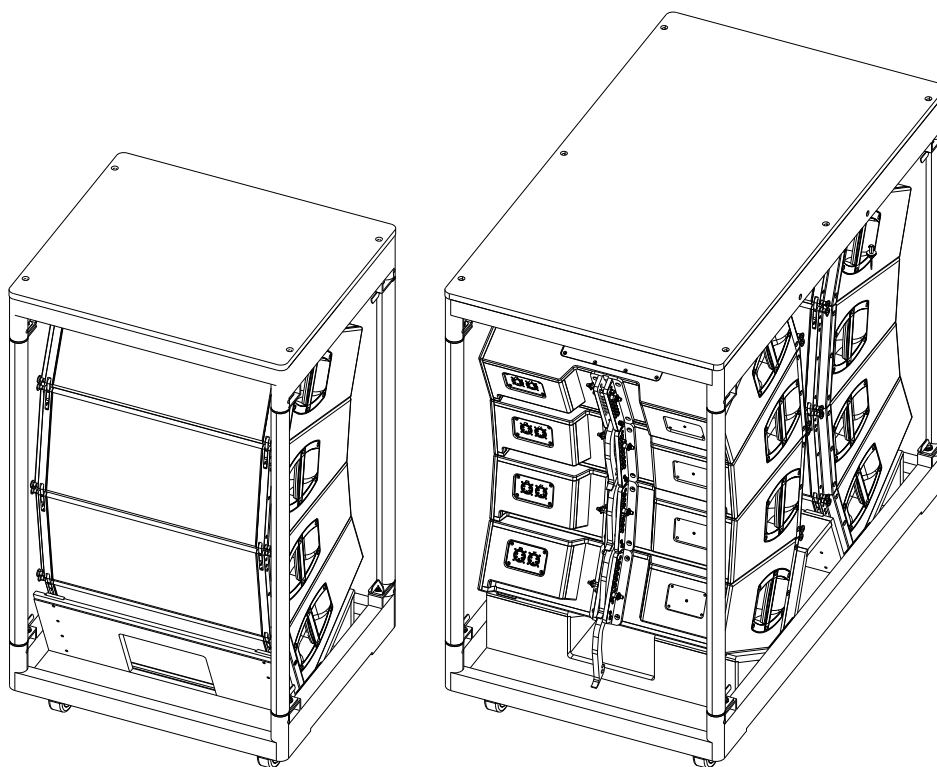


E7463/E7464 V Touring carts

Mounting instructions (1.1 EN)



General information

E7463/E7464 V Touring carts
Mounting instructions

Version: 1.1 EN, 03/2012, D2704.EN .01

Copyright © 2012 by d&b audiotechnik GmbH; all rights reserved.

Keep this manual with the product or in a safe place so that it is available for future reference.

When reselling this product, hand over this manual to the new customer.

If you supply d&b products, please draw the attention of your customers to this manual. Enclose the relevant manuals with the systems. If you require additional manuals for this purpose, you can order them from d&b.

d&b audiotechnik GmbH
Eugen-Adolff-Strasse 134, D-71522 Backnang, Germany
T +49-7191-9669-0, F +49-7191-95 00 00
docadmin@dbaudio.com, www.dbaudio.com

Contents

1. E7463/E7464 V Touring carts.....	4
1.1. Intended use.....	4
1.2. Scope of supply.....	4
1.3. Weights and dimensions.....	5
1.4. Additional top loads.....	5
1.5. Loading the cabinets onto the cart.....	6

1. E7463/E7464 V Touring carts

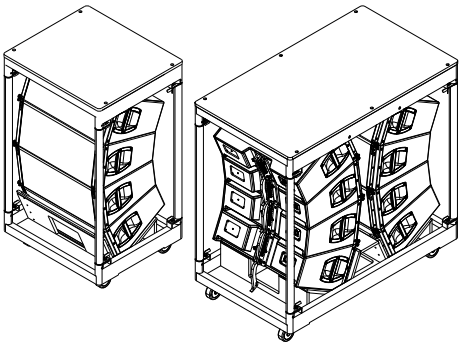


Fig. 1: E7463 and E7464 V Touring carts

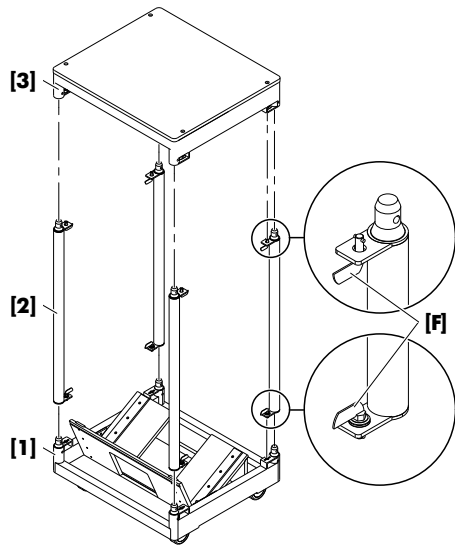
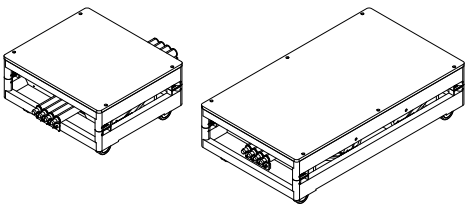


Fig. 2: V Touring carts, scope of supply
Shown: E7463 V Touring cart 4 x V8/V12

1.1. Intended use

The E7463 and E7464 V Touring carts are intended to store and transport 4 x V8/V12 (E7463) or 8 x V8/V12 (E7464) cabinets, respectively.

The entire cabinet assembly stored in the cart can be directly connected to the V Flying frame or mounted below already suspended V8/V12 or V-SUB cabinets.

A detailed description of the assembly and disassembly of V-Series arrays in conjunction with the V Touring carts is given in the V-Series Rigging manual which is provided with the V Flying frame.

1.2. Scope of supply

Delivery state

The V-Series Touring carts are supplied in a dismantled state as shown in the graphic opposite.

Note: This is also a space-saving way to store the carts on site during an event.

Please verify the shipment for completeness and proper condition of the items.

Qty.	d&b Code	Description
1	E7463	d&b V Touring cart 4 x V8/V12
1	E7464	d&b V Touring cart 8 x V8/V12
Each including:		
1		Bottom tray with wheels [1] (specific to cart).
4		Connecting poles [2] equipped with two fasteners (CamLocks) [F] each.
1		Top lid [3] (specific to cart).
1	D2704	Mounting instructions

1.3. Weights and dimensions

Total weight including cabinets:

E7463	190 kg (420 lb)
E7464	360 kg (800 lb)

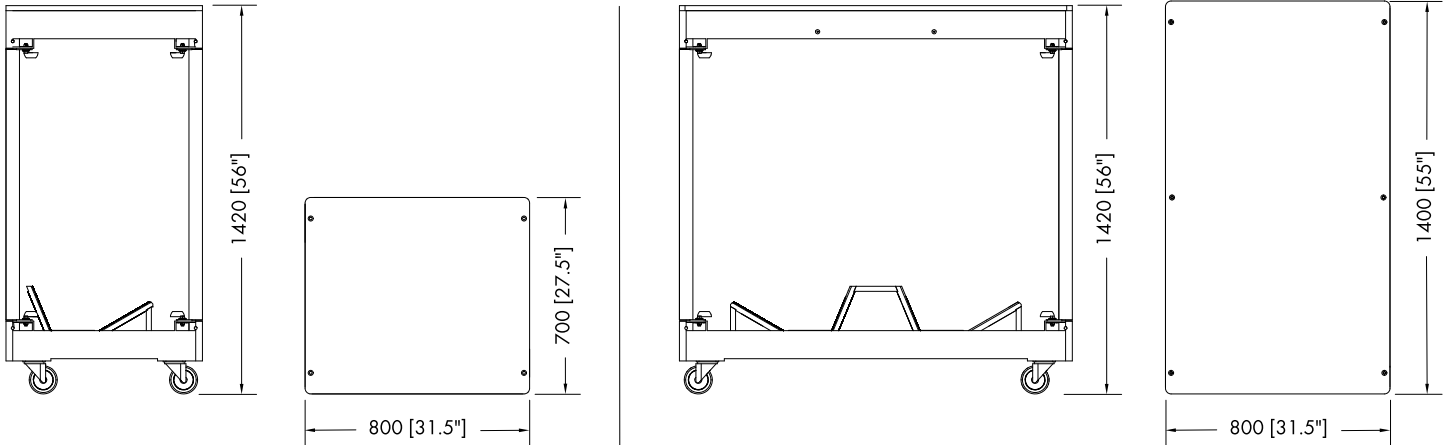


Fig. 3: E7463 and E7464 dimensions in mm [inch]

LOAD 4 x V8/V12
TOTAL WEIGHT 190 kg (420 lb)
MAX. TOP LOAD 100 kg (220 lb)



LOCK PINS



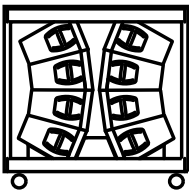
DIMENSIONS:
H x W x D (cm) 142 x 70 x 80
H x W x D (inch) 56 x 27.5 x 31.5

d&b
audiotechnik
Made in Germany www.dbaudio.com

LOAD 8 x V8/V12
TOTAL WEIGHT 360 kg (800 lb)
MAX. TOP LOAD 200 kg (440 lb)



LOCK PINS



DIMENSIONS:
H x W x D (cm) 142 x 140 x 80
H x W x D (inch) 56 x 55 x 31.5

d&b
audiotechnik
Made in Germany www.dbaudio.com

1.4. Additional top loads



CAUTION!

Possible risk of personal injury and/or damage to material!

Observe the maximum permitted top load as indicated on the corresponding instruction label of the cart:

E7463 - 100 kg (220 lb)

E7464 - 200 kg (440 lb)

These additional top loads are only permitted during transport provided the loads are secured against movement and tipping over.

Any additional top load must be removed before moving the carts when unloading or moving them to the assembly position.

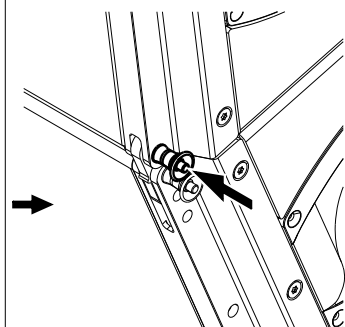
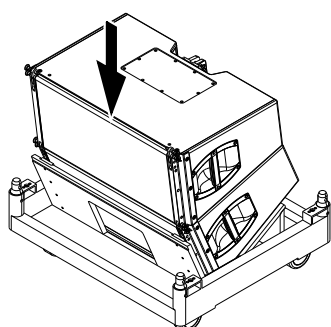
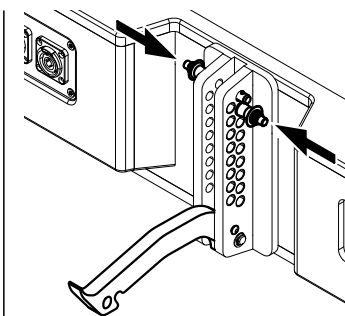
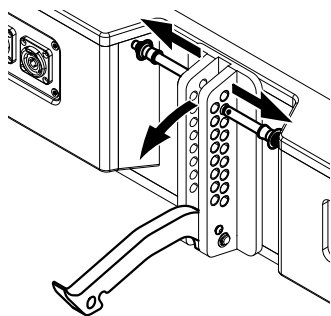
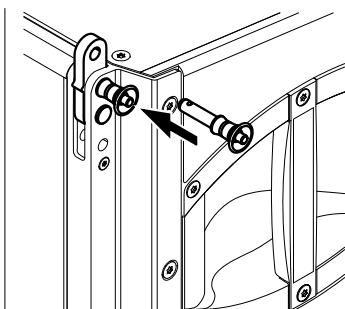
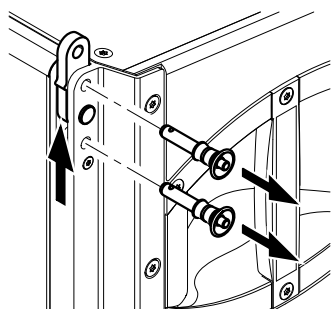
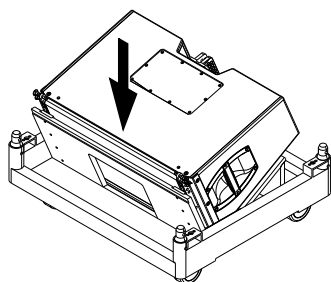
1.5. Loading the cabinets onto the cart

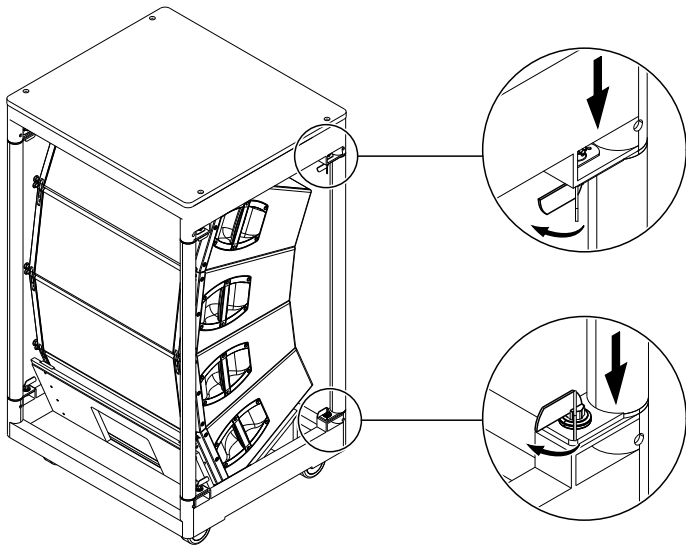
Order of assembly

The bottom tray and the top lid of a cart are interconnected by four connecting poles, which are equipped with two fasteners (CamLocks) each.

Note: To prevent the connecting poles from any damage when loading the cabinets on the cart, we recommend you to attach the poles only after the cart is fully loaded.

1. Place the first cabinet on the bottom tray.
2. At the front release both Locking pins and slide out the Front link.
3. Insert and lock one Locking pin to fix the link in place.
4. On the rear release both Locking pins and fold out the Splay link.
5. Reinsert the Locking pins.
6. Prepare the Front and Splay links of the next cabinet in the same manner as described for the first cabinet..
7. Attach the prepared cabinet to the corresponding slots at the front of the bottom cabinet.
8. Insert and lock the second Locking pins of the cabinet's Front links on both sides.
9. Add the remaining two cabinets in the same manner until the assembly is completed.





10. Attach the poles to the bottom tray and lock all fasteners (CamLocks).

11. Attach the top lid and lock all fasteners (CamLocks).

Note: The top lids of the touring carts are equipped with additional guiding tracks to fix the cabinet assemblies in place. In conjunction with the E7463 V Touring cart 4 x V8/V12 observe the direction of attachment as shown in the graphic below.

