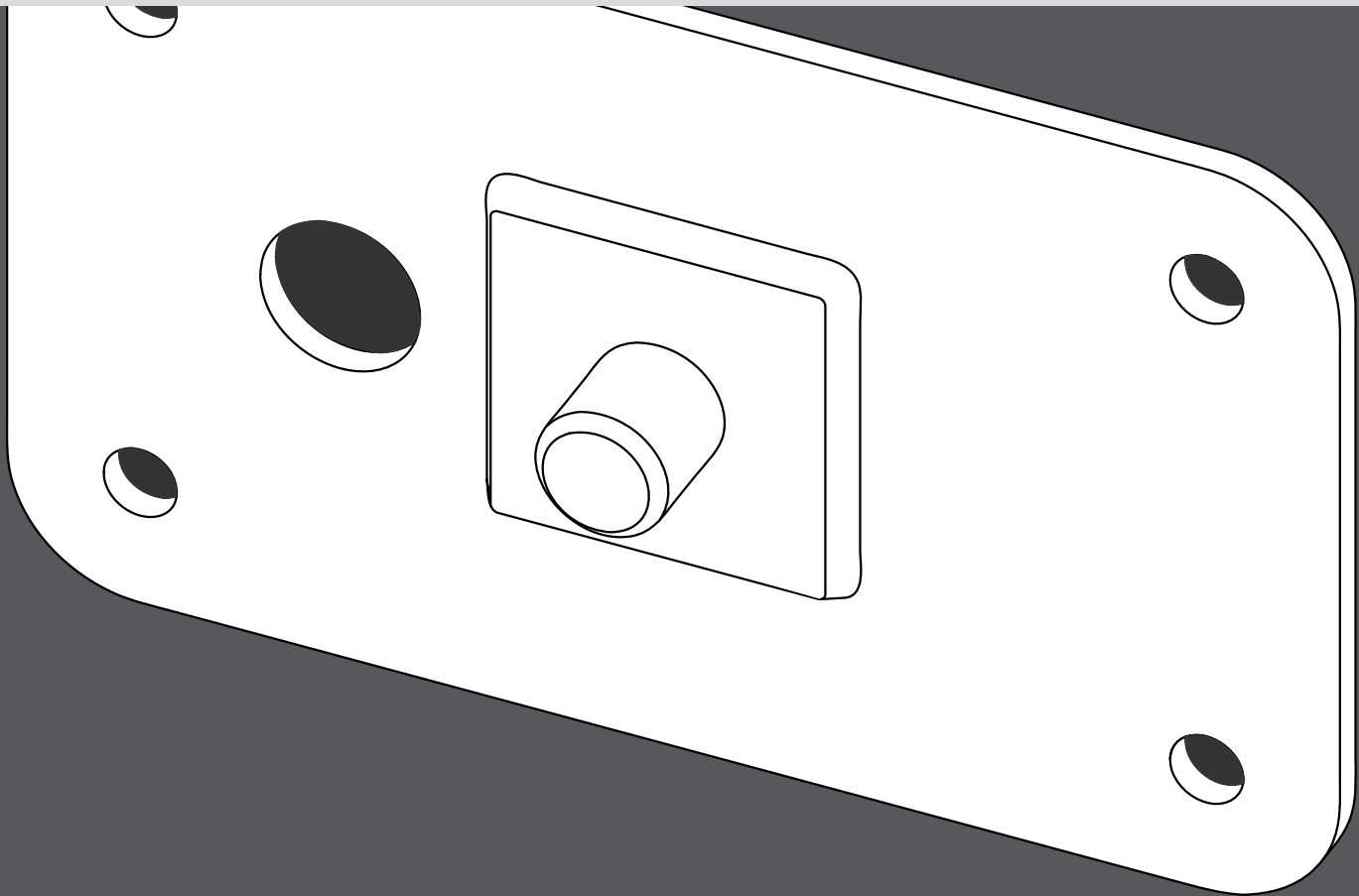


Z

Z5038 Mounting instructions 1.1 en



General information

Z5038 Mounting instructions

Version: 1.1 en, / , D2963.EN.01

Copyright © by d&b audiotechnik GmbH; all rights reserved.

Keep these mountings instructions with the product or in a safe place so that they are available for future reference.

When reselling this product, hand over these mounting instructions to the new owner.

d&b audiotechnik GmbH
Eugen-Adolff-Straße 134, D-71522 Backnang, Germany
T +49-7191-9669-0, F +49-7191-95 00 00
docadmin@dbaudio.com, www.dbaudio.com

1	Z5038 Fixing plate M10	4
1.1	Scope of supply	4
1.2	Safety precautions	4
1.3	Intended use	4
1.4	Fixing template	5
2	Declarations	6
2.1	Manufacturer's declaration	6
2.2	Disposal	6

1 Z5038 Fixing plate M10

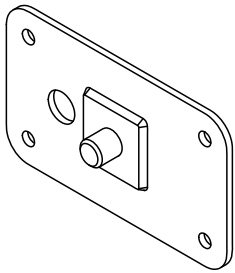
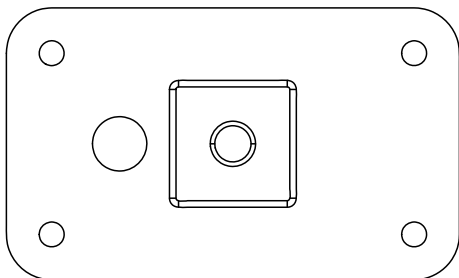


Fig. 1: Scope of supply



1.1 Scope of supply

Please verify the shipment for completeness and proper condition of the items.

Qty.	d&b Code	Description
1	Z5038	Fixing plate M10
Including:		
1	D2963	Mounting instructions

1.2 Safety precautions

General safety

Installation and setup should only be carried out by qualified and authorized personnel observing the valid national Rules for the Prevention of Accidents (RPA).

It is the responsibility of the person installing the assembly to ensure that the suspension/fixing points are suitable for the intended use.

Always carry out a visual and functional inspection of the items before use. In case you have any doubt as to the proper functioning and safety of the items, these must be withdrawn from use immediately.

Load safety information

The maximum permitted working load of the Z5038 Fixing plate M10 is 2.5 kg (5.5 lb) (according to BGV C1).

1.3 Intended use

The d&b Z5038 Fixing plate M10 must only be used in conjunction with applicable d&b loudspeakers.

It can be mounted directly to walls, ceilings or other suitable surfaces.

NOTICE!

Only use mounting parts (fixing anchors and screws) that are suitable for the intended application.

An additional 12 mm (0.47") hole is provided on the fixing plate as a feed-through for the connection cable.

A corresponding fixing template is supplied with these mounting instructions. Refer to ⇒ Chapter 1.4 "Fixing template" on page 5.

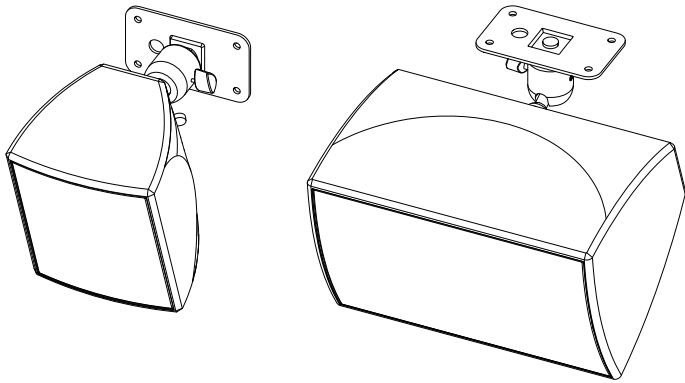


Fig. 2: Application examples:

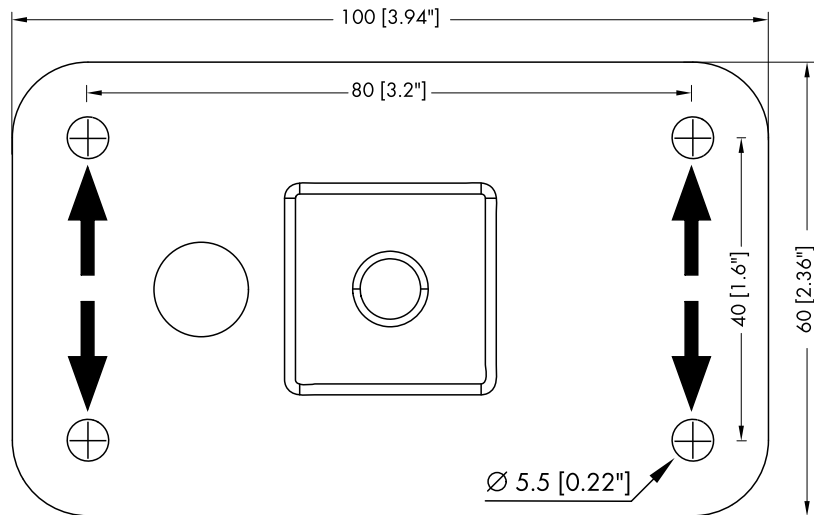
- E4 wall mounted
- E5 ceiling mounted

Application

The M10 bolt of the fixing plate allows the relevant loudspeaker to be connected to different d&b mounting accessories.

Note: Refer to the specific mounting instructions for assembly and operation of these accessories.

1.4 Fixing template



Note: Mind your printer settings and scaling.

2.1 Manufacturer's declaration

This declaration covers:

- d&b Z5038, Fixing plate M10.

National standards and technical specifications applied:

DIN 18 800, DIN 1055, DGUV Vorschrift 17, BGI 810-3.

Backnang, 2011-06-22



Frank Bothe,
Managing Director
d&b audiotechnik GmbH



2.2 Disposal

When out of use the rigging components must be disposed of in accordance with the national environmental regulations.

Ensure that damaged rigging components are disposed of in a way that they cannot be used again.

