

Z5350

E8 Flying bracket

Mounting instructions (1.0 EN)

Contents

1. Product description and scope of supply.....	3
2. Intended use.....	3
3. Safety precautions.....	4
4. Assembly.....	4
5. Operation.....	4
6. Maintenance and care.....	5
7. Disposal.....	5
Manufacturer's declarations.....	6

General Information

Z5350 E8 Flying bracket
Mounting instructions

Version 1.0 EN, 01/2008, D2974.EN .01

Copyright © 2008 d&b audiotechnik AG; all rights reserved.

Keep this manual with the product or in a safe place so that it is available for future reference.

d&b audiotechnik AG
Eugen-Adolff-Strasse 134, D-71522 Backnang, Germany
Telephone +49-7191-9669-0, Fax +49-7191-95 00 00
E-mail: docadmin@dbaudio.com, Internet: www.dbaudio.com

Z5350, E8 Flying bracket

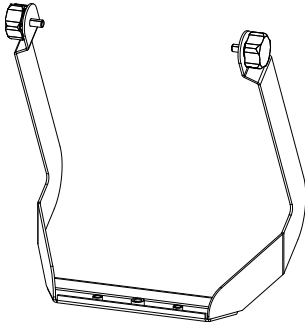


Fig. 1: Z5350 E8 Flying bracket

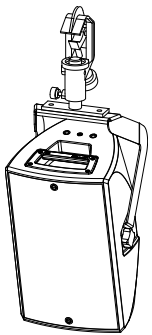


Fig. 2: Z5350 E8 Flying bracket with Z5010 TV spigot with fixing plate Z5012 Pipe clamp for TV spigot

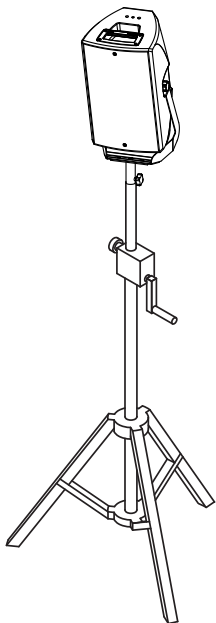


Fig. 3: Z5350 E8 Flying bracket with Z5024 Loudspeaker stand adapter with fixing plate

1. Product description and scope of supply

The Z5350 E8 Flying bracket enables E8 loudspeaker cabinets to be mounted and set to different horizontal or vertical angles. For this purpose two M8 threaded inserts at the d&b standard spacing of 115 mm (4.5") together with a center M10 thread are integrated in the tie bar of the bracket.

The bracket is designed to fit tightly round the loudspeaker to produce the minimum visual impact.

Scope of supply

Please verify the shipment for completeness and condition of the items.

Qty.	d&b Code	Description
1	Z5350	E8 Flying bracket
2	Q9049.40	Handbolt M10 x 20
1	D2976.INT.	Mounting instructions

Weight and dimensions

Weight.....1 kg (2.2 lb)

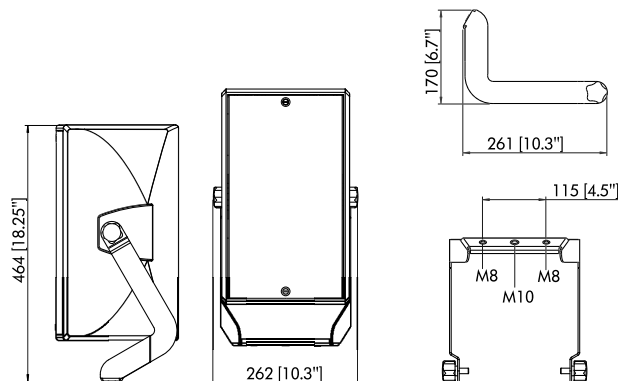


Fig. 4: Dimensions in mm [inch]

2. Intended use

The E8 Flying bracket must only be used in conjunction with the d&b E8 loudspeaker as described in these mounting instructions.

Installation and set up should only be carried out by qualified and authorized personnel observing the valid national Rules of Prevention of Accident (RPA).

It is the responsibility of the person installing the assembly to ensure that the suspension/fixing points are suitable for the intended use.

The flying bracket can be mounted to bars and trusses with a tube diameter of up to 50 mm (2") in conjunction with the following d&b accessories:

- Z5010, TV spigot with fixing plate
- Z5012, Pipe clamp for TV spigot

The flying bracket can be fitted to a loudspeaker stand using the Z5024 or Z5034 Loudspeaker stand adapters.

Observe the maximum permitted load of the mounting accessories as stated in the respective mounting instructions.

3. Safety precautions

General safety

Always carry out a visual and functional inspection of the bracket before use. In case of any doubts the bracket must not be used. Please also refer to section 6. Maintenance and care on page 5.

Load safety information

The maximum permitted working load of the bracket is **7.3 kg (16.1 lb)** (according to BGV C1) which corresponds to the weight of one E8 loudspeaker.

The bracket must only ever be used vertically aligned whether suspended or placed on top of a loudspeaker stand.

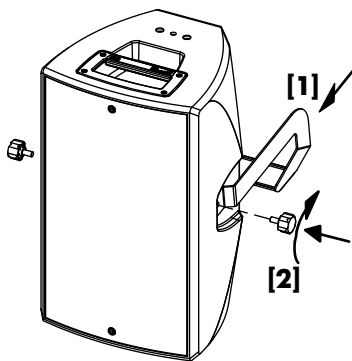
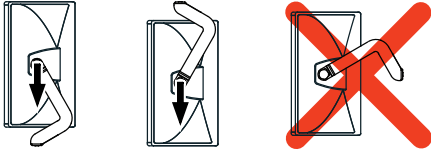


Fig. 5: Assembly

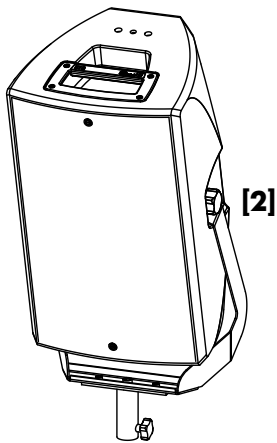


Fig. 6: Operation

4. Assembly

The bracket is locked in place on each side of the cabinet using two handbolts [2].

Please do not use fixing screws other than supplied and specified.

No tools required.

1. Fit the bracket [1] from the rear of the loudspeaker into the recessed areas of the cabinet side panels.
2. Fix the bracket to the cabinet using the two M10 handbolts [2].

5. Operation

The center of gravity of the E8 loudspeaker is in line with the bracket's axis of rotation. This prevents the vertical flying angle setting from limiting freedom of movement by creating a twisting force on the mounting support.

Vertical alignment

1. Slacken the handbolts [2].
2. Set the cabinet to the desired vertical angle.
3. Retighten the handbolts.

Horizontal alignment

The loudspeaker is aimed horizontally at the Loudspeaker stand adapter or the TV spigot mounting.

6. Maintenance and care

Storing/Transport

Due to its surface treatment the Flying bracket is temporarily protected against moisture. However, ensure the bracket is in a dry state while stored or during transport and use.

During transport ensure the bracket is not stressed or damaged by mechanical forces. Use suitable transport cases.

Cleaning

Regularly clean and lubricate the Flying bracket using WD-40® or a similar product.

Inspections

To eliminate the potential risk of accident because of malfunction of the bracket regularly carry out a visual and functional inspection of the bracket.

If the bracket fails to operate correctly and/or safely the bracket must be withdrawn from use immediately.

Carry out a visual inspection of the bracket regarding obvious deformation and damage (e.g. cracks and corrosion).

Carry out a visual inspection of the threaded inserts in the tie bar of the bracket regarding deformation and damage (e.g. cracks and corrosion) as well as the welded strength.

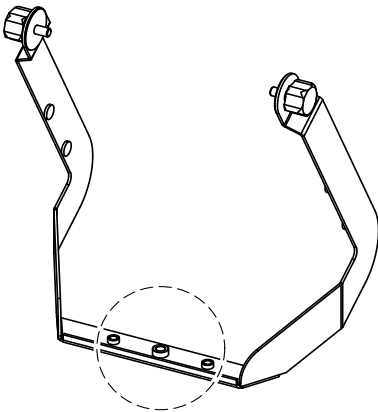


Fig. 7: Threaded inserts in the tie bar

7. Disposal

Please dispose of this product according to the respective national regulations.

Ensure that damaged rigging components are disposed of in a way that they can not be used again.

Manufacturer's declarations

EC Declaration of conformity

within the meaning of the EC Machine Directive 98/37/EEC

We hereby declare that the equipment designated below is designed and built in the version sold by us in such a way as to comply with the relevant fundamental safety and health criteria of the applicable EC Directive(s). This declaration shall cease to be valid if alterations are made to the equipment without our prior agreement.

This declarations covers:

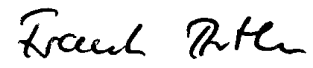
d&b E8 Flying bracket, Z5350

To be used as described in these mounting instructions.

National standards and technical specifications applied:

DIN EN ISO 12100, DIN EN 1050, BGV C1

Backnang, 2008-01-25



(Frank Bothe, Vorstand)