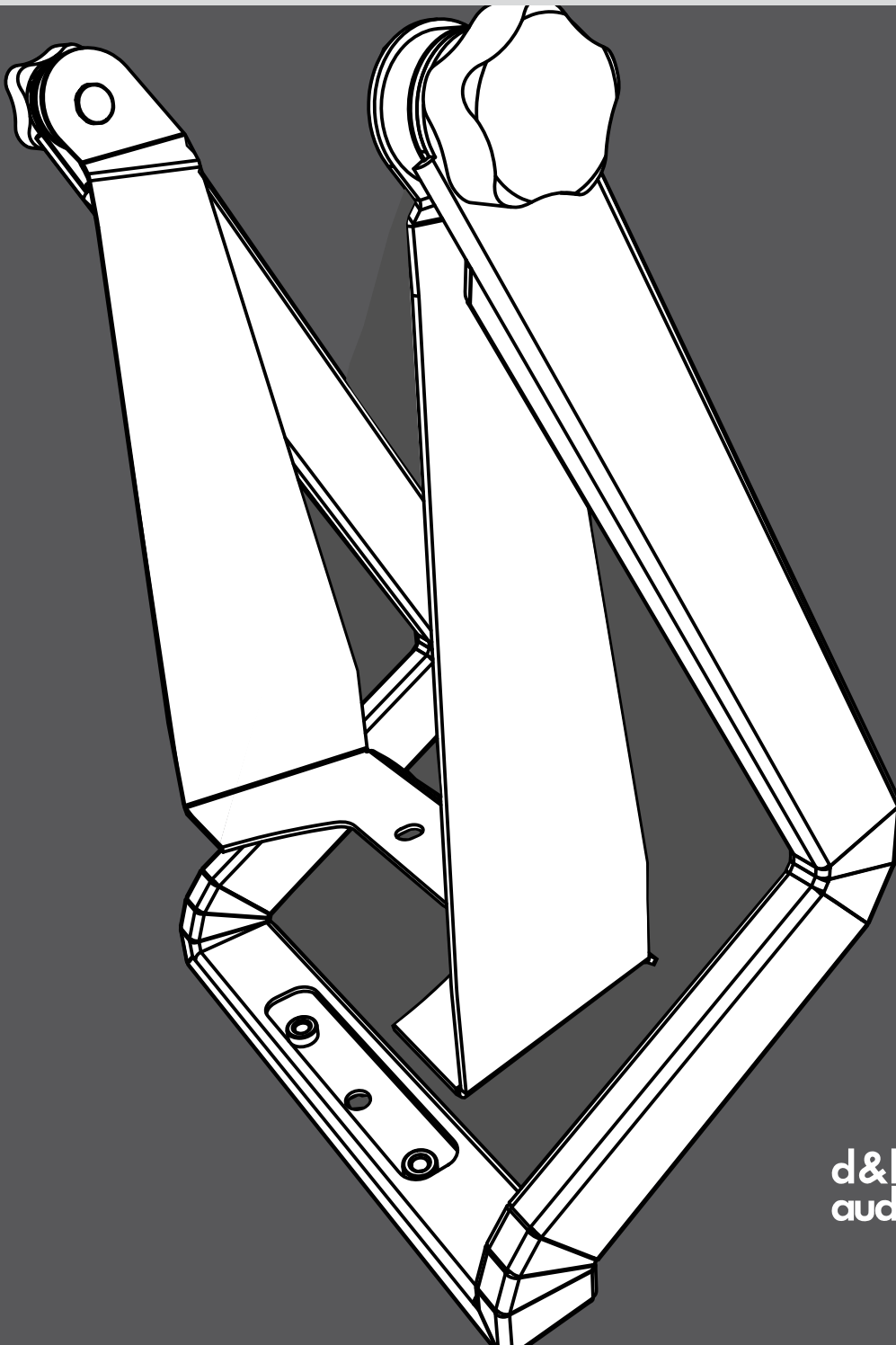


Z

Z5383 Mounting instructions 1.4 en



General information

Z5383 Mounting instructions

Version: 1.4 en, 04/2020, D2821.EN .01

Copyright © 2020 by d&b audiotechnik GmbH & Co. KG; all rights reserved.

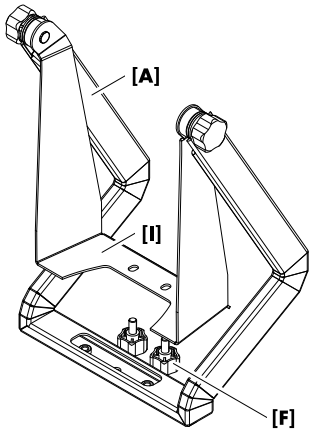
Keep this document with the product or in a safe place so that it is available for future reference.

When reselling this product, hand over this document to the new owner.

d&b audiotechnik GmbH & Co. KG
Eugen-Adolff-Str. 134, D-71522 Backnang, Germany
T +49-7191-9669-0, F +49-7191-95 00 00
docadmin@dbaudio.com, www.dbaudio.com

1	Z5383 VP Mounting bracket	4
1.1	Scope of supply and weight	4
1.2	Safety precautions	4
1.3	Intended use	5
1.4	Assembly	5
1.5	Adjustments	5
1.6	High stand assemblies	6
1.7	Built-in dimensions	7
2	Manufacturer's declaration	8
2.1	EU conformity (CE symbol)	8
2.2	Disposal	8

1 Z5383 VP Mounting bracket



1.1 Scope of supply and weight

Please verify the shipment for completeness and proper condition of the items.

Qty.	d&b Code	Description
1	Z5383	VP Mounting bracket consisting of: <ul style="list-style-type: none"> ▪ Outer bracket [A] ▪ Inner bracket [I]
Including:		
2		Fixing bolts [F]
1	D2821.EN .01	Z5383 Mounting instructions

Weight 6.5 kg (15 lb)

1.2 Safety precautions

General safety

Installation and setup should only be carried out by qualified and authorized personnel observing the valid national Rules for the Prevention of Accidents (RPA).

It is the responsibility of the person installing the assembly to ensure that the suspension/fixing points are suitable for the intended use.

Always carry out a visual and functional inspection of the items before use. In case there is any doubt as to the proper functioning and safety of the items, these must be withdrawn from use immediately.

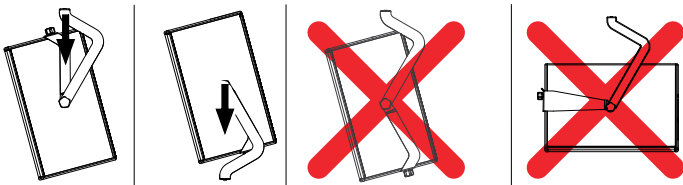
Load safety information

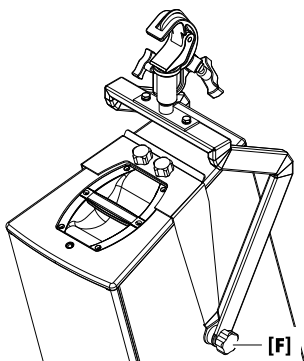
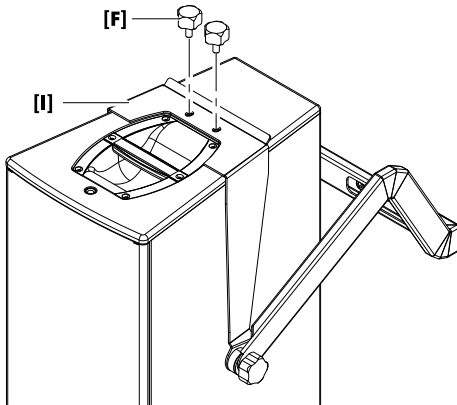
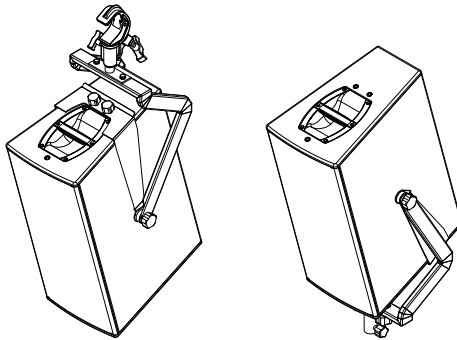
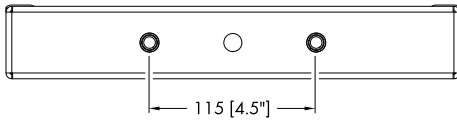
The Z5383 VP Mounting bracket is designed to support one V7P/ V10P or Vi7P/Vi10P loudspeaker.

No additional loads must be added.

The bracket must only be used in an upright position or suspended vertically as shown in the graphic opposite.

The **maximun vertical aiming** must not exceed **±30°**





1.3 Intended use

The d&b Z5383 VP Mounting bracket must only be used in conjunction with d&b V-Point or Vi-Point cabinets.

The tie bar of the outer bracket is supplied with two M8 threaded inserts at the standard d&b spacing (115 mm [4.5"]) for attaching the following accessories:

- Using the Z5010 TV spigot with fixing plate in conjunction with the Z5012 Pipe clamp, V-Point/Vi-Point cabinets can be vertically flown from overhead bars or trusses with a tube diameter between 40 mm and 70 mm (1.5" and 2.75").
- Using the Z5024 Loudspeaker stand adapter, V-Point/Vi-Point cabinets can be mounted onto a loudspeaker stand with a tube diameter of 35 mm (1.4").

1.4 Assembly

The fixing plate of the inner bracket [I] is bolted into the M10 threaded inserts at the top or bottom of the cabinet using the two fixing bolts [F].

1.5 Adjustments

The vertical aiming and the horizontal aiming can be set continuously.

Vertical aiming

NOTICE!

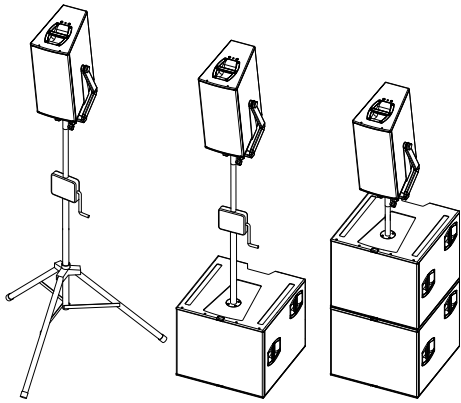
Potential risk of damage to material.

The maximum **vertical aiming** must not exceed $\pm 30^\circ$

1. Slightly slacken the fixing screws [F].
2. Set the loudspeaker to the required vertical angle.
3. Retighten the fixing Screws [F].

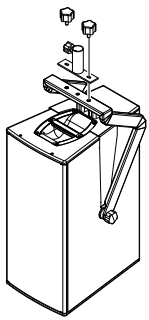
Horizontal aiming

The horizontal aiming is set at the loudspeaker stand adapter or the TV spigot assembly.

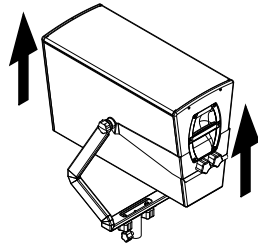


Z5383 High stand assemblies:

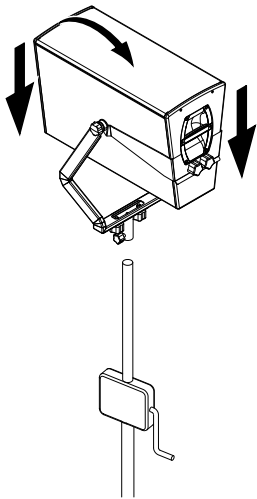
- Z5383 with Z5009 Loudspeaker stand with winder.
- Z5383 with Z5013 Loudspeaker stand with winder M20.
- Z5383 with Z5550 M20 Stand adapter.



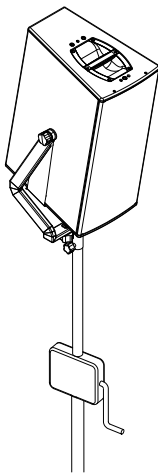
1/2



3



4



5

1.6 High stand assemblies

In conjunction with the d&b Z5024 Loudspeaker stand adapter, V-Point/Vi-Point cabinets can be mounted onto a loudspeaker stand or stand adapter such as the d&b Z5009, Z5013 or Z5550 with a tube diameter of 35 mm (1.4").

Operational safety



CAUTION!
Potential risk of personal injury and/or damage to the components.

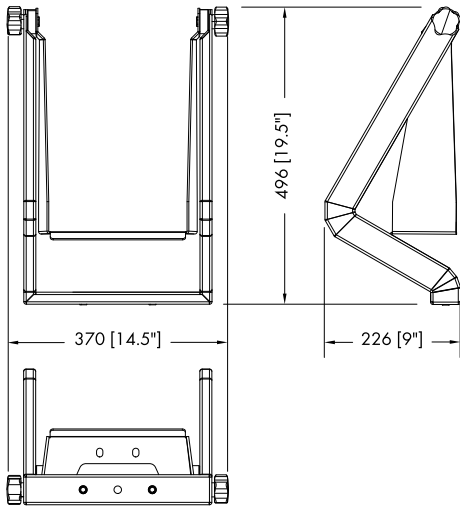
Due to the size and weight of approx. 40 kg (88 lb) of the entire assembly (cabinet/bracket), we strongly recommend you to observe the following assembly procedure, to avoid any personal injury and/or damage to the components.

- The assembly should always be carried out by two persons.
- During assembly pay attention to the possible risk of crushing or jamming fingers. Wear suitable protective clothing such as protective gloves.

Assembly procedure

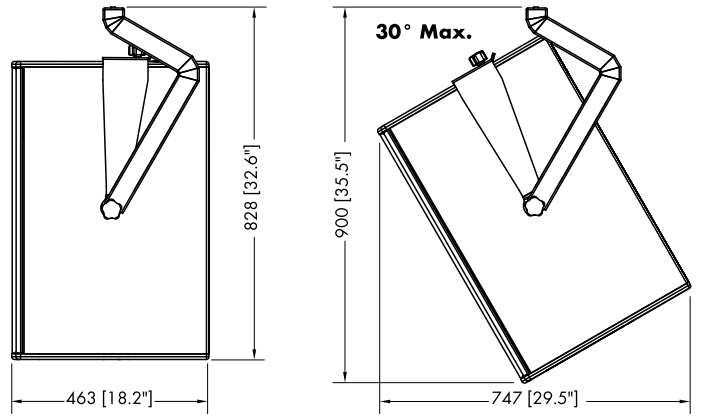
1. Attach the bracket to the cabinet as described in the previous section ⇒ 1.4 Assembly on page 5.
2. Attach the Z5024 adapter as shown in the graphic opposite (1/2).
3. With one person on each side, lift the cabinet assembly as shown in the graphic opposite (3).
4. Attache the cabinet assembly to the pole of the respective high stand or stand adapter and directly align the cabinet to the desired vertical angle as shown in the graphic opposite (4).
5. Finally tighten all handbolts.

To dismantle the assembly, proceed in the same manner and in reverse order.

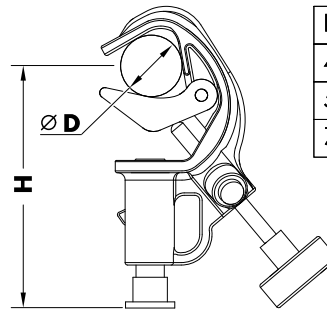


Z5383 VP Mounting bracket dimensions in mm [inch]

1.7 Built-in dimensions



Z5383 VP Mounting bracket, built-in dimensions in mm [inch]



D	H
40 mm [1.6"]	205 mm [8"]
50 mm [2"]	197 mm [7.75"]
70 mm [2.75"]	181 mm [7"]

Built-in dimensions Z5010/Z5012 Assembly



2.1 EU conformity (CE symbol)

This declaration applies to:

d&b Z5383 VP Mounting bracket

manufactured by d&b audiotechnik GmbH & Co. KG.

All product variants are included, provided they correspond to the original technical version and have not been subject to any later design or electromechanical modifications.

We herewith declare that said products are in conformity with the provisions of the respective EC directives including all applicable amendments.

A detailed declaration is available on request and can be ordered from d&b or downloaded from the d&b website at www.dbaudio.com.

2.2 Disposal

When out of use the rigging components must be disposed of in accordance with the national environmental regulations.

Ensure that damaged rigging components are disposed of in a way that they cannot be used again.

