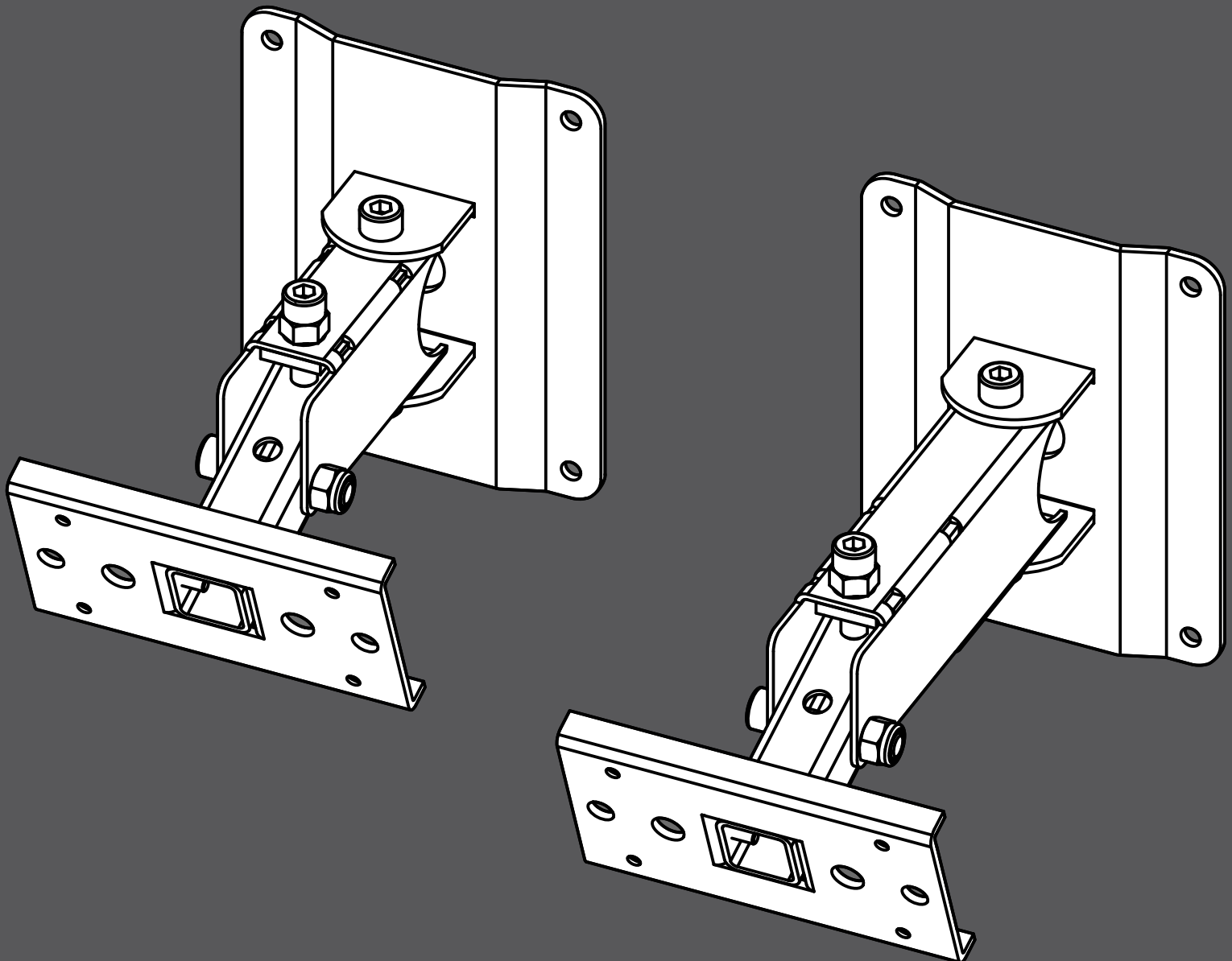


# Z

## Z5402/03 Mounting instructions 1.1 en



## **General information**

Z5402/03 Mounting instructions

Version: 1.1 en, 08/2011, D2957.EN .01

Copyright © 2011 by d&b audiotechnik GmbH & Co. KG; all rights reserved.

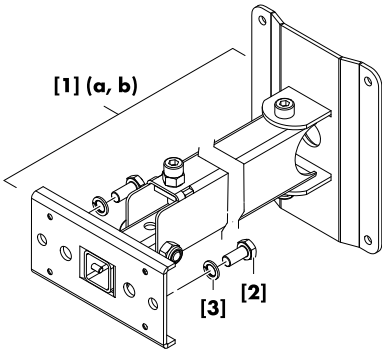
**Keep these mountings instructions with the product or in a safe place so that they are available for future reference.**

When reselling this product, hand over this document to the new owner.

d&b audiotechnik GmbH & Co. KG  
Eugen-Adolff-Str. 134, D-71522 Backnang, Germany  
T +49-7191-9669-0, F +49-7191-95 00 00  
docadmin@dbaudio.com, www.dbaudio.com

|          |                                   |           |
|----------|-----------------------------------|-----------|
| <b>1</b> | <b>Z5402/Z5403 Wall mount M/L</b> | <b>4</b>  |
| 1.1      | Scope of supply                   | 4         |
| 1.2      | Safety precautions                | 4         |
| 1.3      | Intended use                      | 4         |
| 1.4      | Mounting options                  | 5         |
| 1.5      | Assembly                          | 5         |
| 1.6      | Vertical and horizontal alignment | 6         |
| <b>2</b> | <b>Fixing templates</b>           | <b>7</b>  |
| 2.1      | Vertical setup                    | 7         |
| 2.2      | Horizontal setup                  | 8         |
| <b>3</b> | <b>Built-in dimensions</b>        | <b>9</b>  |
| 3.1      | Wall mount M/L                    | 9         |
| 3.2      | 8S loudspeaker                    | 10        |
| 3.3      | 10S/10S-D loudspeaker             | 12        |
| 3.4      | 12S/12S-D loudspeaker             | 14        |
| <b>4</b> | <b>Declarations</b>               | <b>16</b> |
| 4.1      | Manufacturer's declaration        | 16        |
| 4.2      | Disposal                          | 16        |

# 1 Z5402/Z5403 Wall mount M/L



Scope of supply

## 1.1 Scope of supply

Please verify the shipment for completeness and proper condition of the items.

| Qty.            | d&b Code     | Description                      |
|-----------------|--------------|----------------------------------|
| 1               | <b>Z5402</b> | d&b Wall mount M <b>[1] (a)</b>  |
| 1               | <b>Z5403</b> | d&b Wall mount L <b>[1] (b)</b>  |
| Each including: |              |                                  |
| 2               |              | Hex head bolt M8 x 20 <b>[2]</b> |
| 2               |              | Spring washer <b>[3]</b>         |
| 1               | D2957.EN .01 | Mounting instructions            |

Weight Wall mount M ..... 1.3 kg / 2.9 lb

Weight Wall mount L ..... 1.4 kg / 3.1 lb

## 1.2 Safety precautions

### General safety

Installation and setup should only be carried out by qualified and authorized personnel observing the valid national Rules for the Prevention of Accidents (RPA).

It is the responsibility of the person installing the assembly to ensure that the suspension/fixing points are suitable for the intended use.

Always carry out a visual and functional inspection of the items before use. In case you have any doubt as to the proper functioning and safety of the items, these must be withdrawn from use immediately.

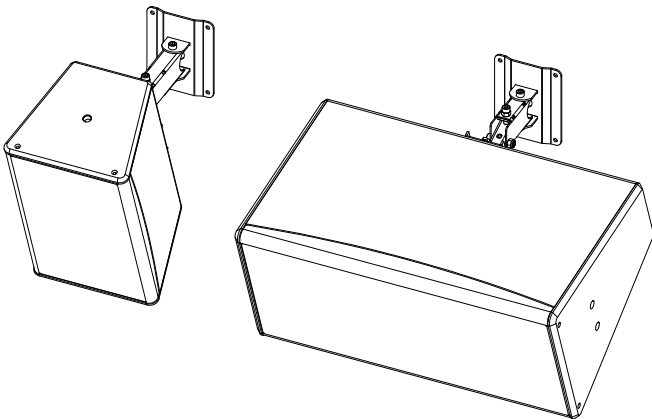
### Load safety information

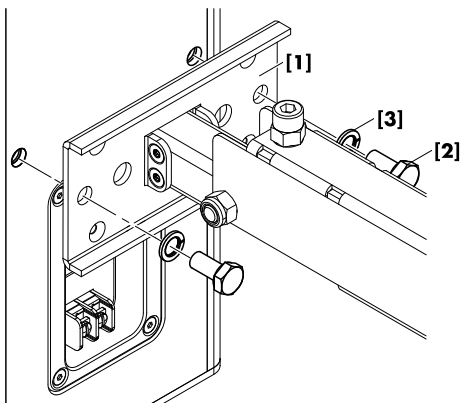
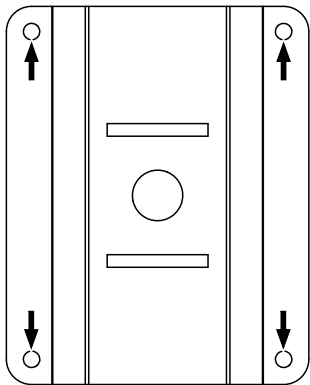
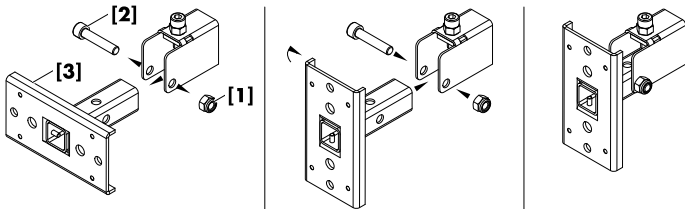
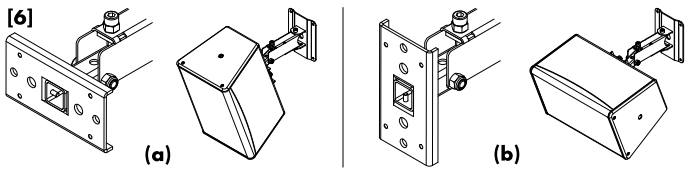
The maximum permitted working load of the Z5402 Wall mount M and Z5403 Wall mount L is 17 kg (37 lb) (according to BGV C1) which implies the weight of one 8S/10S/10S-D/12S or 12S-D cabinet.

## 1.3 Intended use

The d&b Z5402 Wall mount M and Z5403 Wall mount L must only be used in conjunction with the d&b xS-Series loudspeakers 8S, 10S/10S-D and 12S/12S-D as described in these mounting instructions.

The wall mounts allow both horizontal or vertical mounting of the cabinets as well as vertical and horizontal alignment.





## 1.4 Mounting options

### Mounting options

The tilt unit [6] of the wall mount can be rotated through 90° allowing the cabinet to be mounted either vertically (a) or horizontally (b).

To change the orientation of the tilt unit, proceed as follows:

#### Tools required:

- Open-ended spanner/wrench (size #13)
- Allen hex key (6 mm)

1. Slacken and undo the self-securing nut [1] and remove the fixing bolt [2].
2. Remove the tilt unit [3] and turn it through 90°.
3. Refit the tilt unit in reverse order.

## 1.5 Assembly

### Mounting plate

#### NOTICE!

Only use mounting parts (fixing anchors and screws) that are suitable for the intended application.

Observe the occurring extraction forces acting on the fixing anchors and screws. The rated extraction force is **350 N**.

A corresponding fixing template is supplied with these mounting instructions. Refer to ⇒ Chapter 2 "Fixing templates" on page 7.

An additional 20 mm (0.8") centered hole is provided on the mounting plate as a feed-through for the connection cable. The cable can be fed through the mounting plate into the boom arm that acts as a cable run.

### Attaching the cabinet to the wall mount

#### NOTICE!

- Only use the supplied and specified screws [2], otherwise there is a risk of damaging the threaded inserts.
- Always use the supplied spring washers [3] to prevent the bolts from slackening.

#### Tools required:

- Open-ended spanner/wrench (size #13)

1. Attach the wall mount to the two M8 threaded inserts on the rear panel of the cabinet.
2. Insert the screws together with the spring washers and tighten them.

## 1.6 Vertical and horizontal alignment

The wall mounts allow both vertical and horizontal alignment of the cabinets. The possible vertical and horizontal angle settings depend on the cabinet size, the deployment of the cabinets (vertical or horizontal setup) and the type of wall mount used. The various options and angle settings including the built-in dimensions are detailed in ⇒ Chapter 2 "Fixing templates" on page 7.

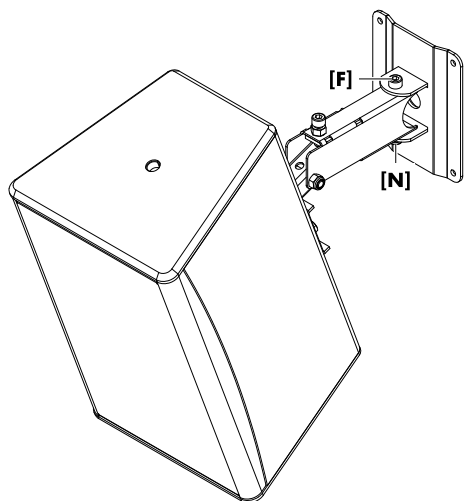
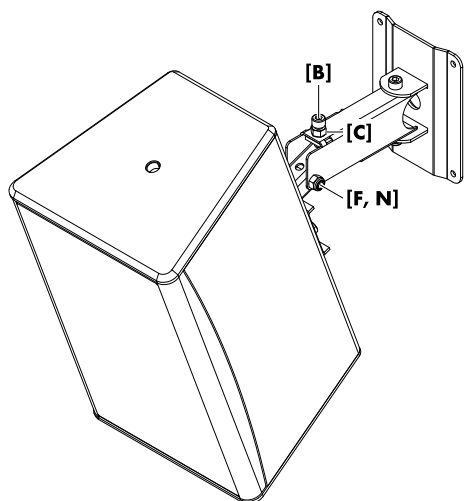
### Tools required:

- Open-ended spanner/wrench (size #13)
- Allen hex key (6 mm).

### Vertical alignment

The wall mounts are equipped with a stop screw **[B]** to allow a precise vertical alignment of the cabinet.

1. Slacken the stop screw **[B]**.
2. Slightly slacken the fixing bolt **[F]**.
3. Set the cabinet to the desired vertical angle.
4. Adjust the stop screw **[B]** until the desired angle is finally set.
5. Tighten the counter nut **[C]** to fix the adjustment.
6. Retighten the fixing bolt.

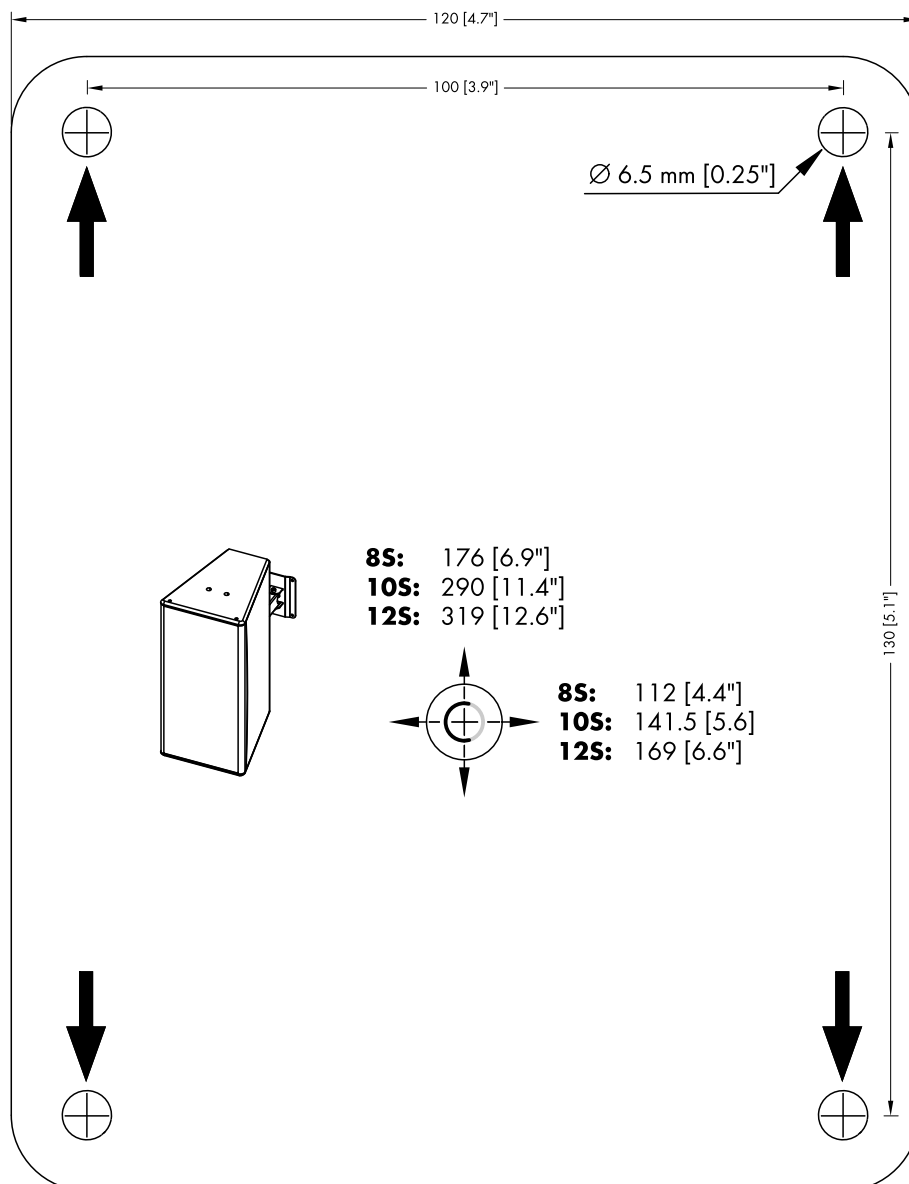


### Horizontal alignment

1. Slightly slacken the fixing bolt **[F]**.
2. Set the cabinet to the desired horizontal angle.
3. Retighten the fixing bolt.

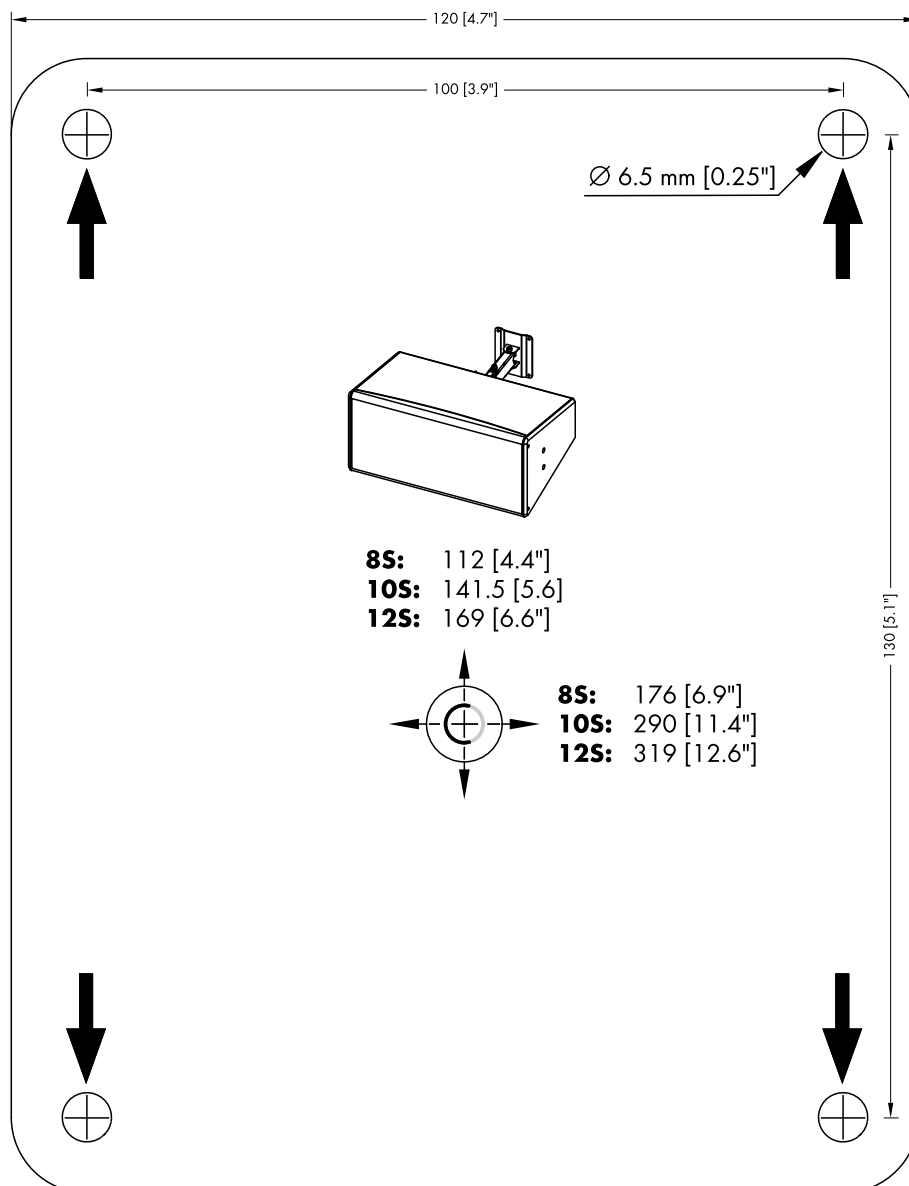
## 2 Fixing templates

### 2.1 Vertical setup



**Z5402/03 Wall mount M/L, fixing template vertical setup, shown with center (⊕) of the 8S, 10S/10S-D and 12S/12S-D cabinets.**

## 2.2 Horizontal setup

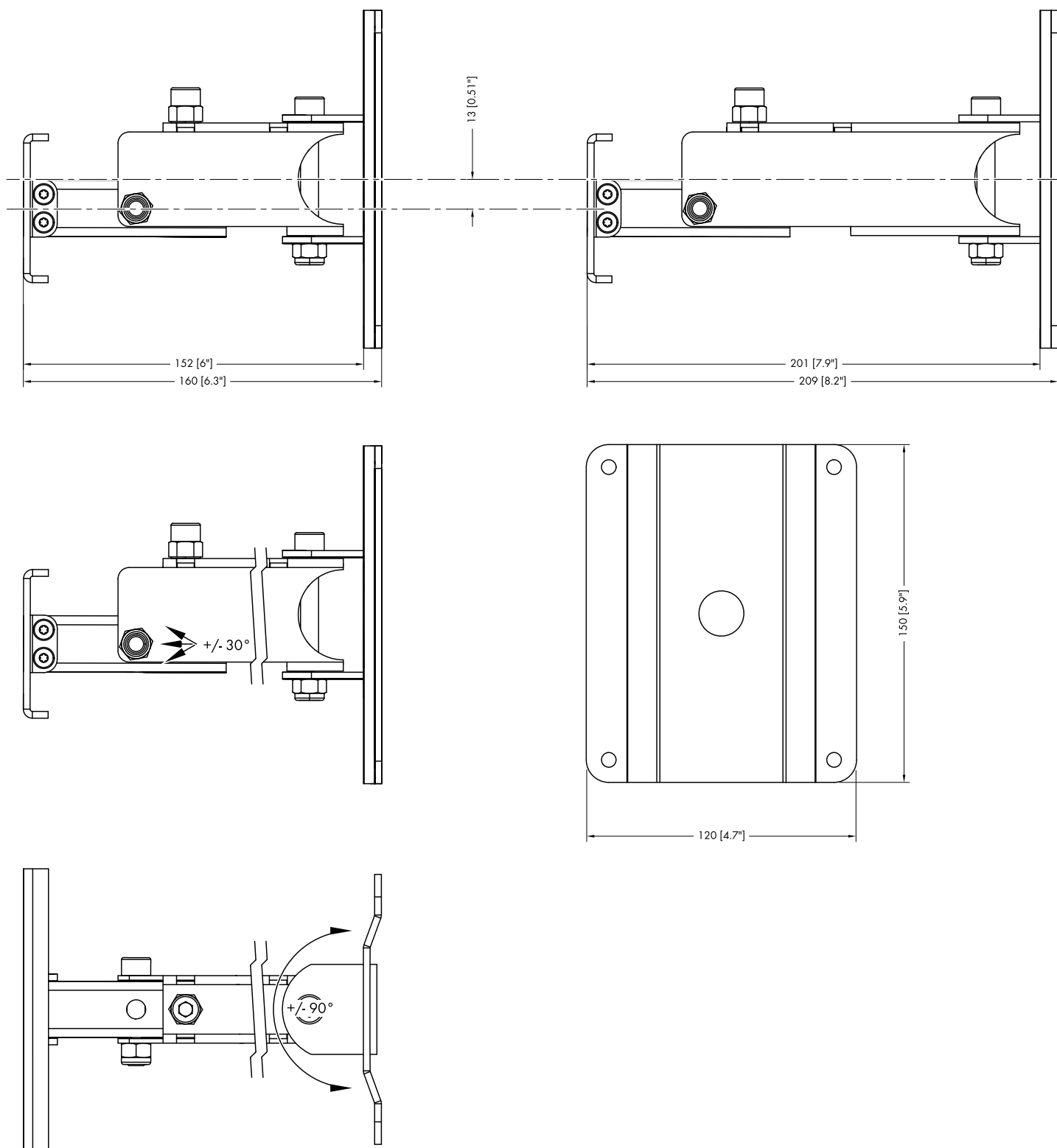


**Z5402/03 Wall mount M/L, fixing template horizontal setup, shown with center (⊕) of the 8S, 10S/10S-D and 12S/12S-D cabinets.**



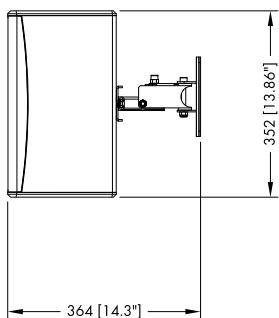
### 3 Built-in dimensions

#### 3.1 Wall mount M/L

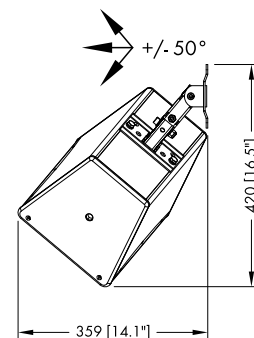
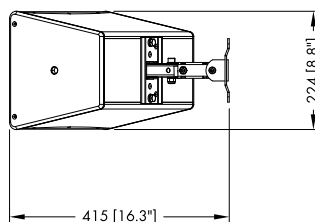
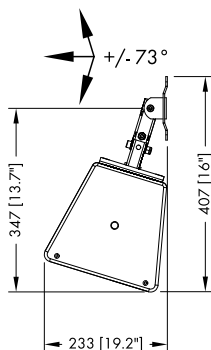
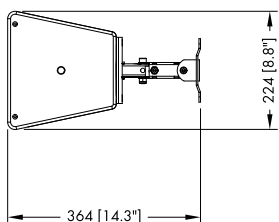
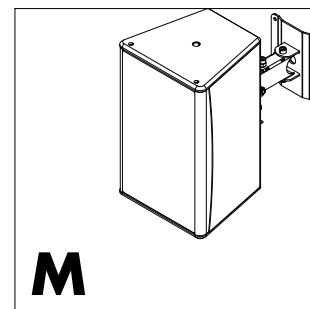
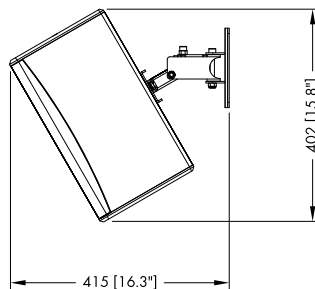


Z5402/03 Wall mount M/L dimensions in mm [inch]

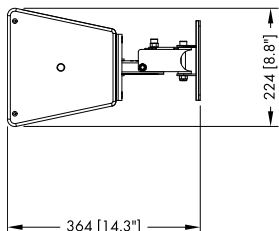
### 3.2 8S loudspeaker



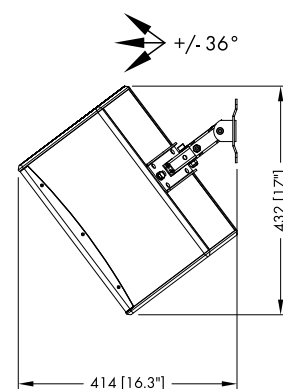
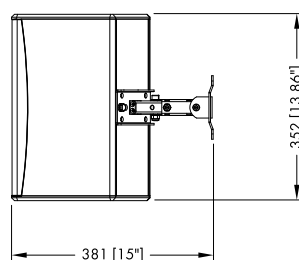
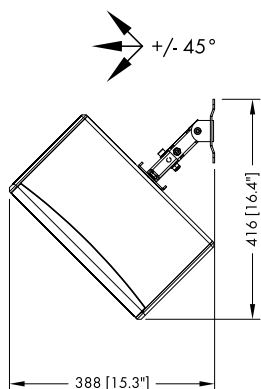
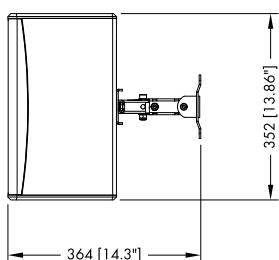
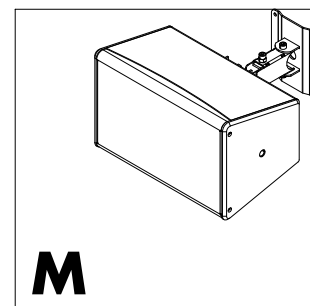
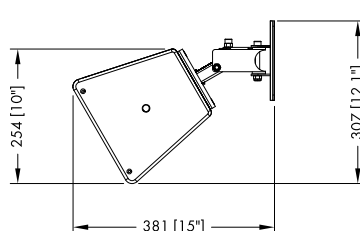
$\pm 30^\circ$



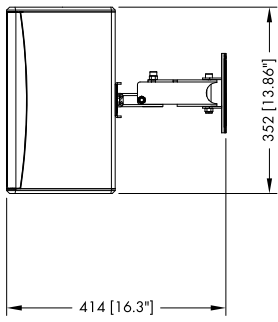
**Z5402 Wall mount M, built-in dimensions in mm [inch], 8S vertical setup**



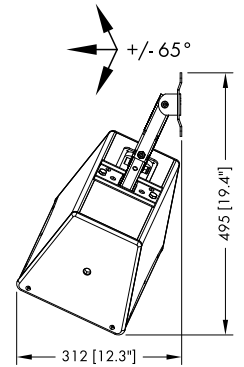
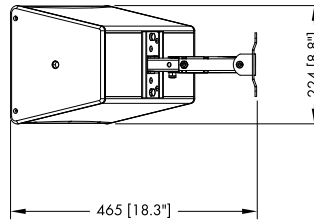
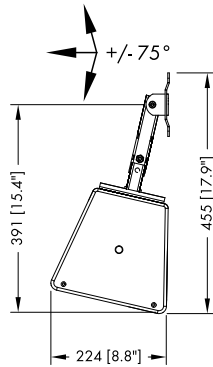
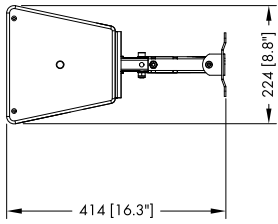
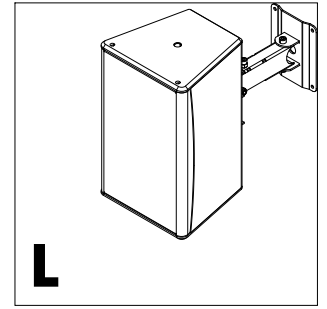
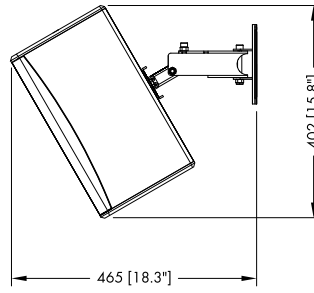
$\pm 30^\circ$



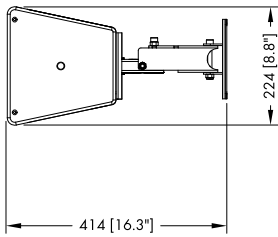
**Z5402 Wall mount M, built-in dimensions in mm [inch], 8S horizontal setup**



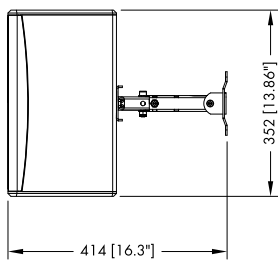
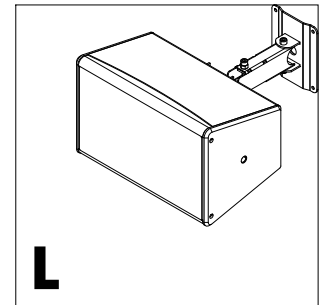
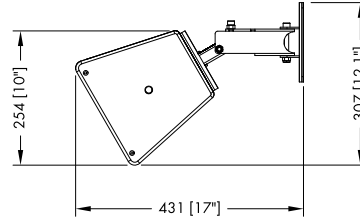
$\pm 30^\circ$



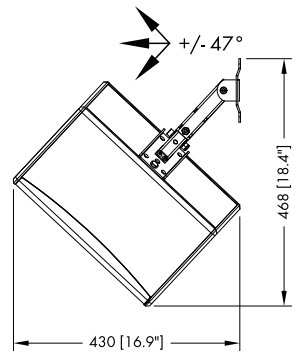
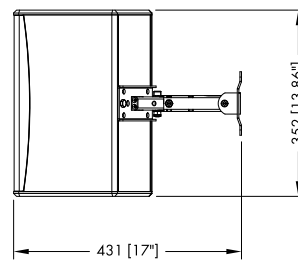
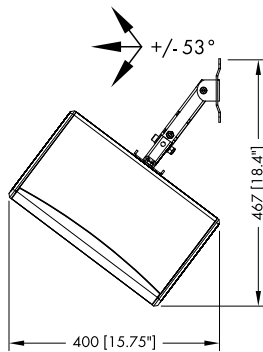
**Z5403 Wall mount L, built-in dimensions in mm [inch], 8S vertical setup**



$\pm 30^\circ$

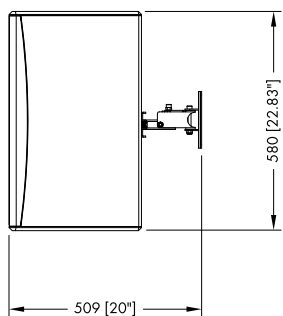


$\pm 53^\circ$

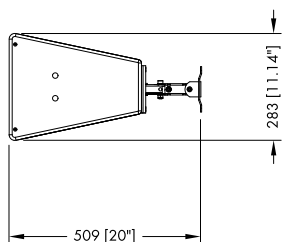
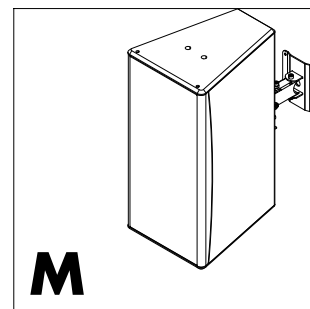
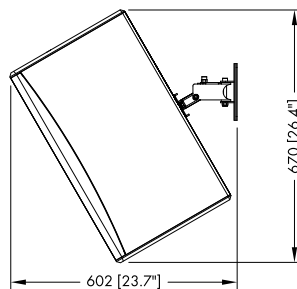


**Z5403 Wall mount L, built-in dimensions in mm [inch], 8S horizontal setup**

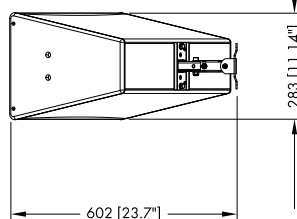
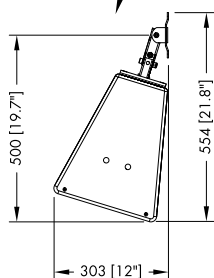
### 3.3 10S/10S-D loudspeaker



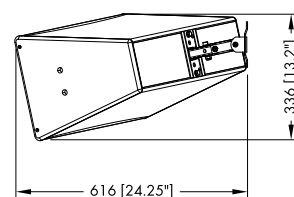
$\pm 30^\circ$



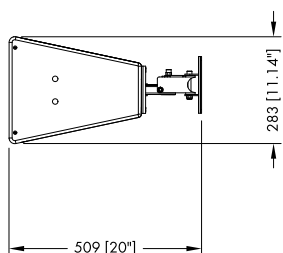
$\pm 73^\circ$



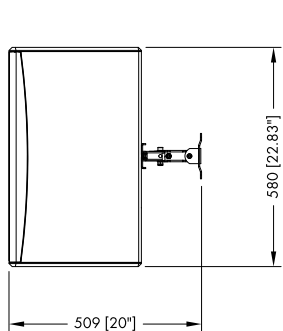
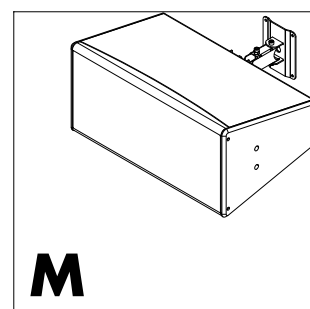
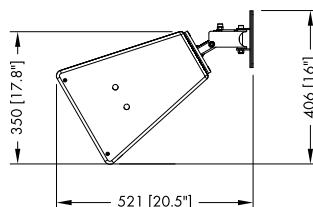
$\pm 12^\circ$



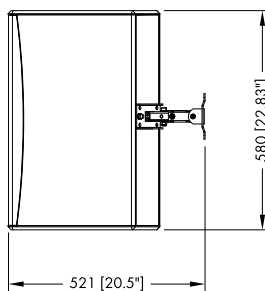
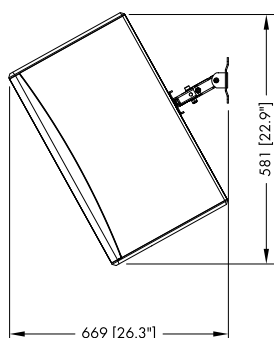
#### Z5402 Wall mount M, built-in dimensions in mm [inch], 10S/10S-D vertical setup



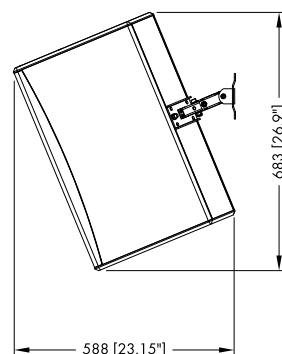
$\pm 30^\circ$



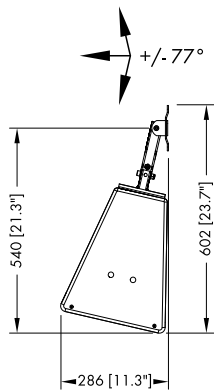
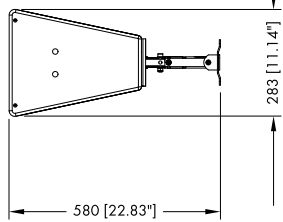
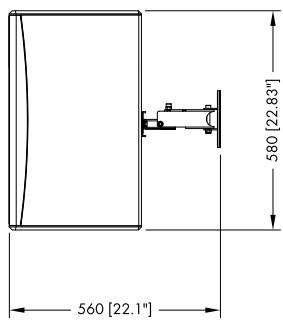
$\pm 30^\circ$



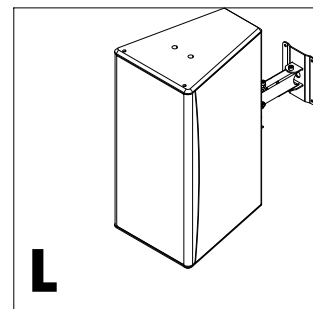
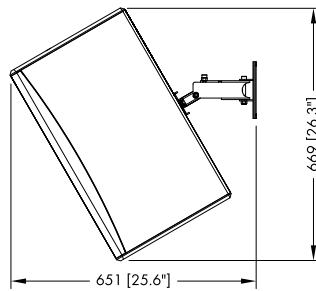
$\pm 23^\circ$



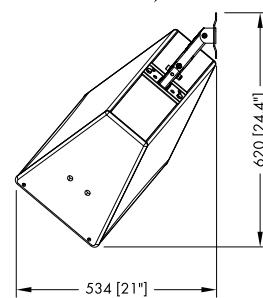
#### Z5402 Wall mount M, built-in dimensions in mm [inch], 10S/10S-D horizontal setup



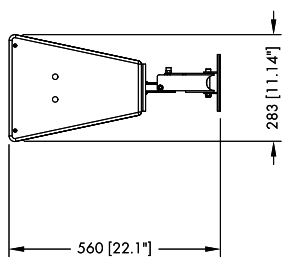
$\pm 30^\circ$



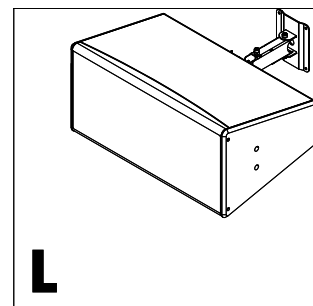
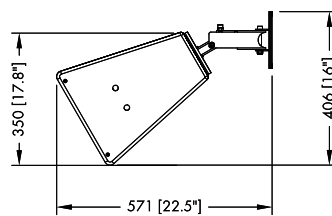
$\pm 50^\circ$



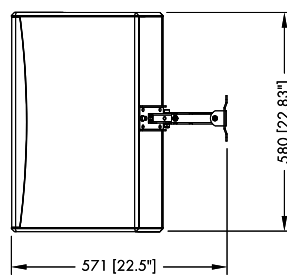
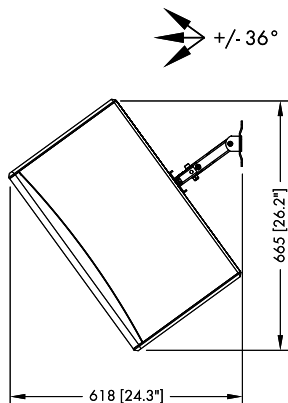
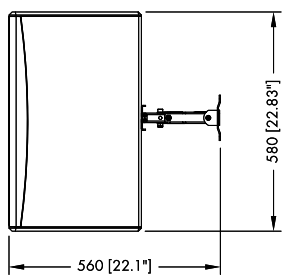
**Z5403 Wall mount L, built-in dimensions in mm [inch], 10S/10S-D vertical setup**



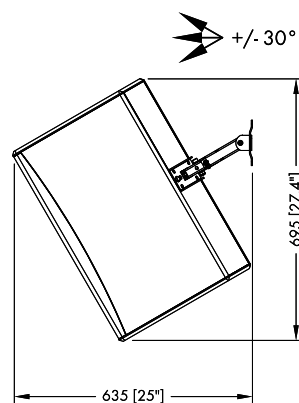
$\pm 30^\circ$



$\pm 36^\circ$

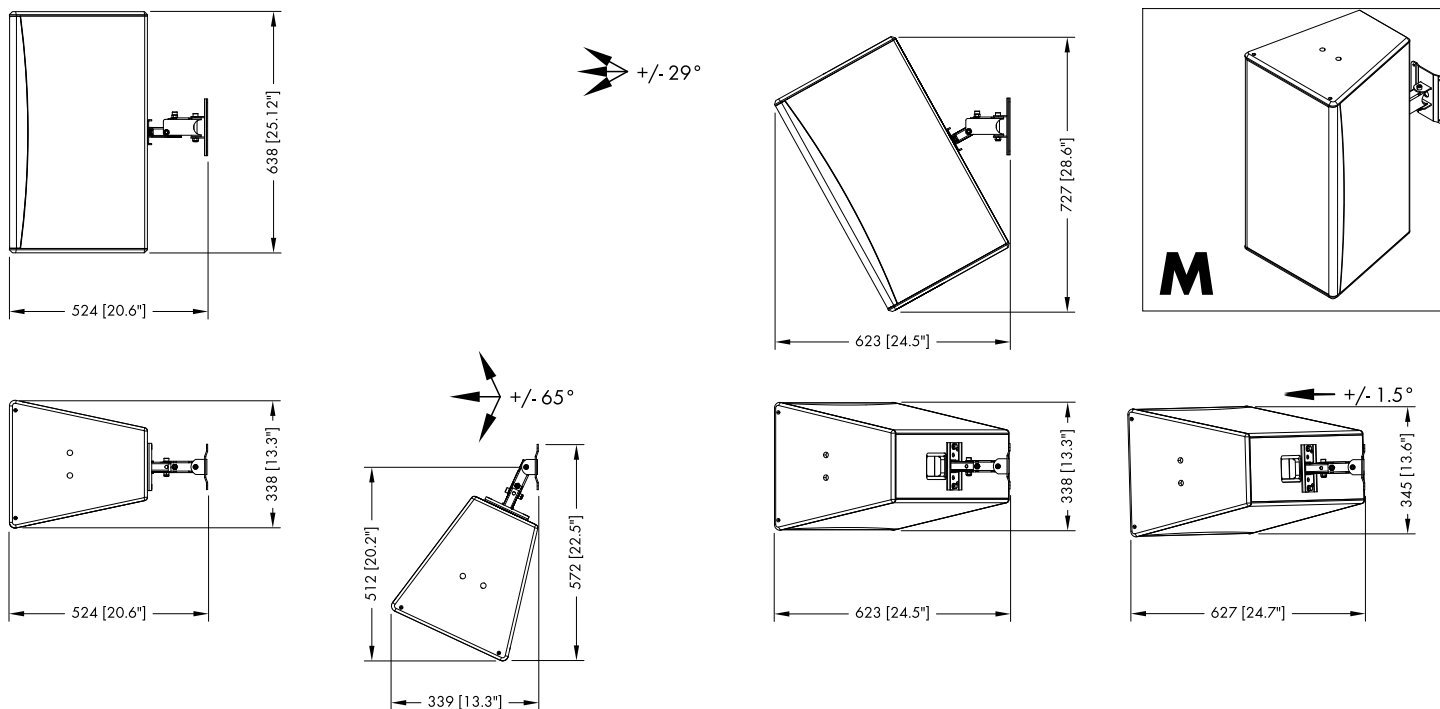


$\pm 30^\circ$

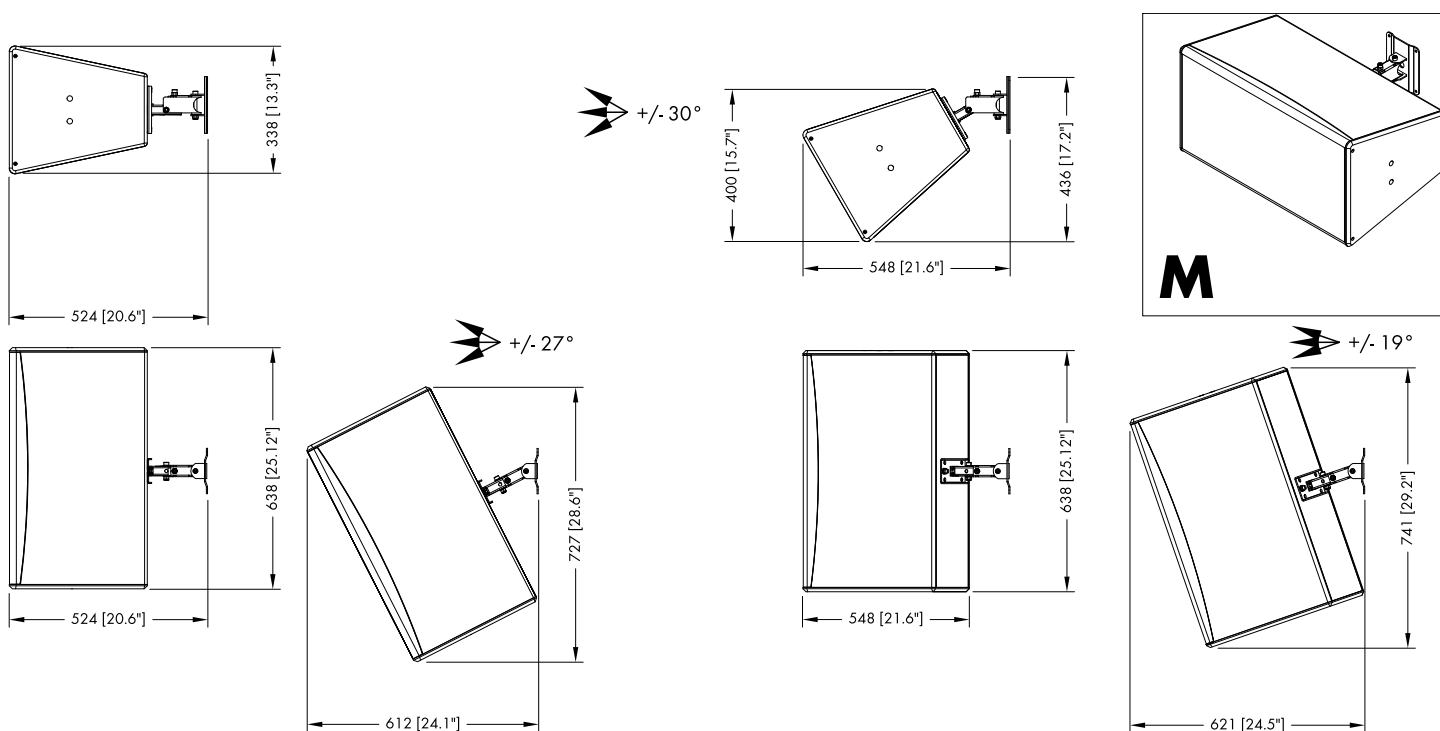


**Z5403 Wall mount L, built-in dimensions in mm [inch], 10S/10S-D horizontal setup**

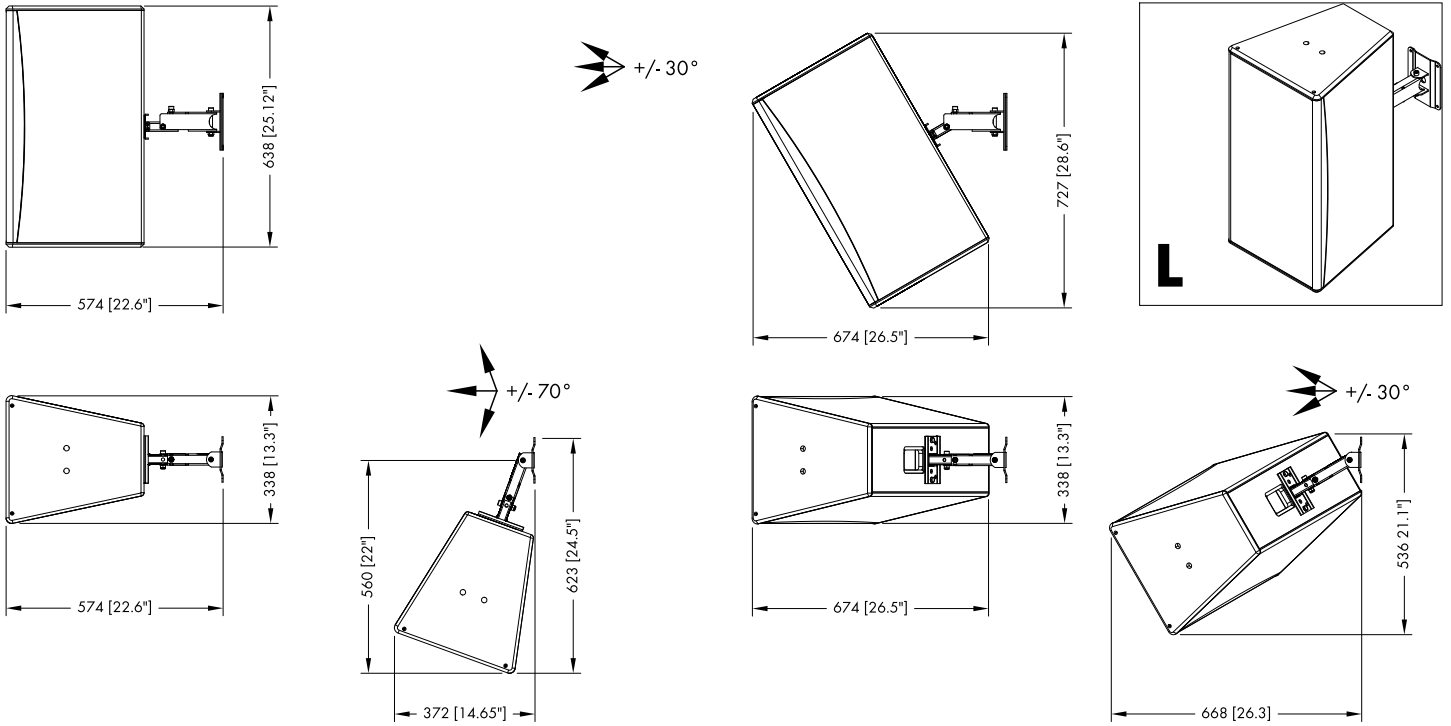
### 3.4 12S/12S-D loudspeaker



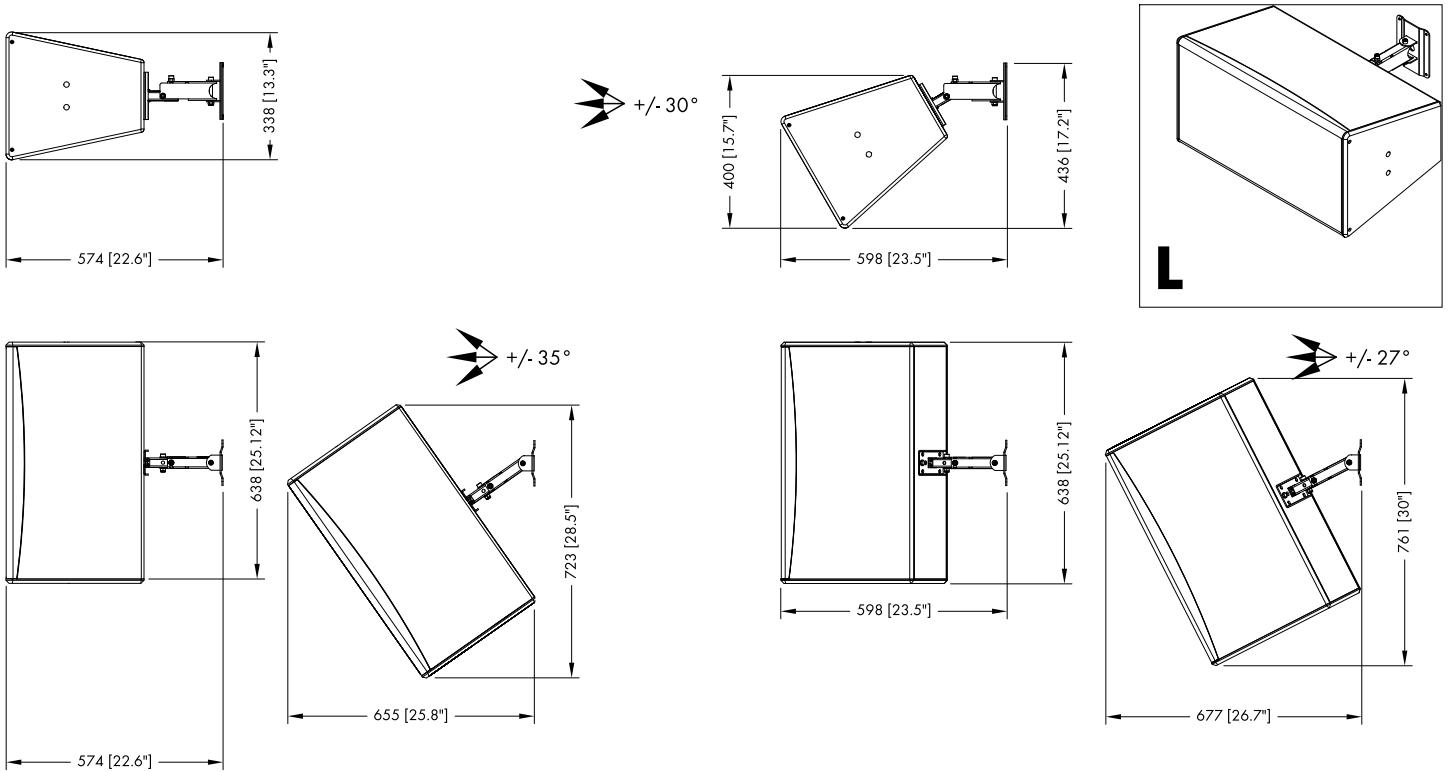
**Z5402 Wall mount M, built-in dimensions in mm [inch], 12S/12S-D vertical setup**



**Z5402 Wall mount M, built-in dimensions in mm [inch], 12S/12S-D horizontal setup**



**Z5403 Wall mount L, built-in dimensions in mm [inch], 125/125-D vertical setup**



**Z5403 Wall mount L, built-in dimensions in mm [inch], 125/125-D horizontal setup**

### 4.1 Manufacturer's declaration

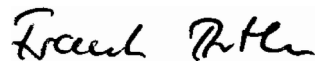
This declaration covers:

- d&b Z5402, Wall mount M.
- d&b Z5403 Wall mount L.

### National standards and technical specifications applied:

DIN 18 800, DIN 1055, DGUV Vorschrift 17, BGI 810-3.

Backnang, 2011-08-24



Frank Bothe,  
Chief Technology Officer (CTO)  
d&b audiotechnik GmbH & Co.  
KG



### 4.2 Disposal

When out of use the rigging components must be disposed of in accordance with the national environmental regulations.

Ensure that damaged rigging components are disposed of in a way that they cannot be used again.



