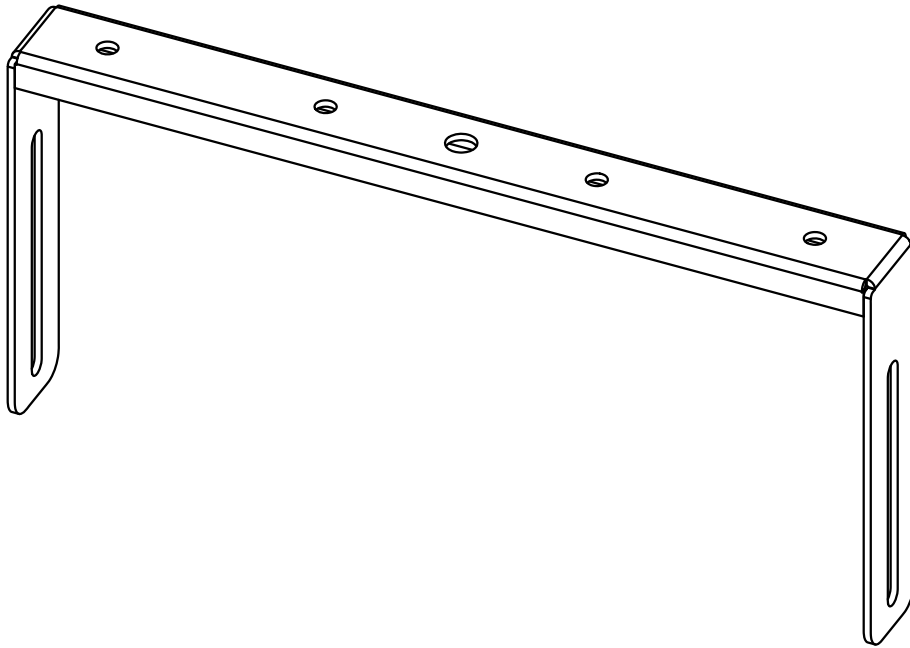


Z5408 Horizontal bracket 8S

Mounting instructions (1.2 EN)



General information

Z5408 Horizontal bracket 8S
Mounting instructions

Version: 1.2 EN, 03/2011, D2959.EN .01

Copyright © 2011 by d&b audiotechnik GmbH; all rights reserved.

Keep this manual with the product or in a safe place so that it is available for future reference.

When reselling this product, hand over this manual to the new customer.

d&b audiotechnik GmbH
Eugen-Adolff-Strasse 134, D-71522 Backnang, Germany
T +49-7191-9669-0, F +49-7191-95 00 00
docadmin@dbaudio.com, www.dbaudio.com

Contents

1. Z5408 Horizontal bracket 8S	4
1.1. Scope of supply	4
1.2. Safety precautions	4
1.3. Intended use	4
1.4. Mounting options and angle settings	5
1.5. Assembly	5
2. Fixing template	7
3. Built-in dimensions	8
4. Declarations	9
4.1. Manufacturer's declaration	9
4.2. Disposal	9

1. Z5408 Horizontal bracket 8S

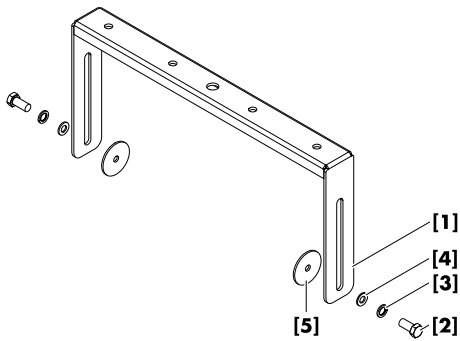


Fig. 1: Scope of supply

1.1. Scope of supply

Please verify the shipment for completeness and proper condition of the items.

Qty.	d&b Code	Description
1	Z5408	d&b Horizontal bracket 8S [1]
Including:		
2		Hex head bolt M8 x 25 [2]
2		Spring washer [3]
2		U washer [4]
2		Rubber washer [5]
1	D2959	Mounting instructions

1.2. Safety precautions

General safety

Installation and setup should only be carried out by qualified and authorized personnel observing the valid national Rules for the Prevention of Accidents (RPA).

It is the responsibility of the person installing the assembly to ensure that the suspension/fixing points are suitable for the intended use.

Always carry out a visual and functional inspection of the items before use. In case you have any doubt as to the proper functioning and safety of the items, do not use them.

Load safety information

The maximum permitted working load of the Z5408 Horizontal bracket 8S is 7.4 kg (16 lb) (according to BGV C1) which corresponds to the weight of one 8S loudspeaker.

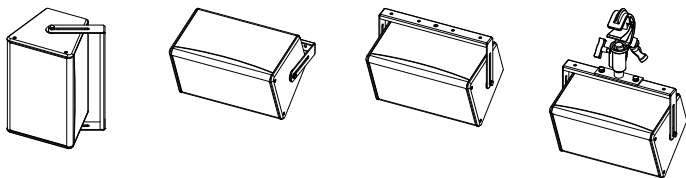


Fig. 2: Z5408 Rigging examples

1.3. Intended use

The d&b Z5408 Horizontal bracket 8S must only be used in conjunction with d&b 8S loudspeakers as described in these mounting instructions.

The bracket can be:

- directly mounted to walls.
- directly mounted to ceilings or other suitable surfaces.
- horizontally flown and mounted to bars and truss with a tube diameter of up to 70 mm (2.75") using the Z5010 TV spigot and the Z5012 Pipe clamp.

Note: Refer to the specific mounting instructions for assembly and operation of these accessories.

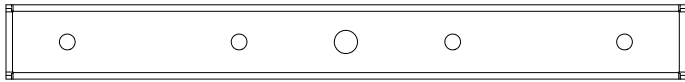
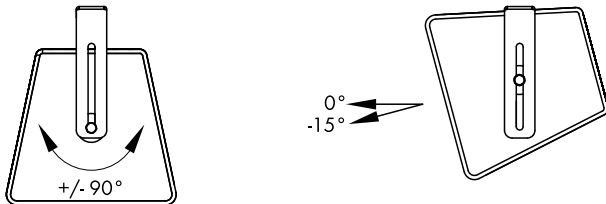


Fig. 3: Z5408 Mounting holes



1.4. Mounting options and angle settings

Mounting holes are provided on the tie bar of the bracket.

One 9 mm (0.35") hole is provided at each end of the tie bar for fixing the bracket directly to walls or ceilings or other suitable surfaces.

Two 9 mm (0.35") holes at the d&b standard spacing of 115 mm (4.5") are provided to allow the attachment of the Z5010 TV spigot and the Z5012 Pipe clamp.

Each end of the bracket is equipped with a 9 mm (0.35") elongated hole. This elongated hole allows a multitude of cabinet positions, e.g. with a low ceiling height the cabinet can be mounted as close as possible to the ceiling.

Angles can be set within the range of 180° ($\pm 90^\circ$ as standard). In general, angle settings depend on the chosen position of the cabinet within the bracket.

1.5. Assembly

Attaching the bracket to walls or ceilings

NOTICE!

Only use mounting parts (fixing anchors and screws) that are suitable for the intended application.

Observe the occurring extraction forces acting on the fixing anchors and screws. The rated extraction forces for the respective application (wall or ceiling mounting) are listed in the following table.

Application	Rated extraction forces
Wall mounting	400 N
Ceiling mounting	100 N

To attach the bracket to walls or ceilings, use the holes shown in the graphic opposite to provide adequate support.

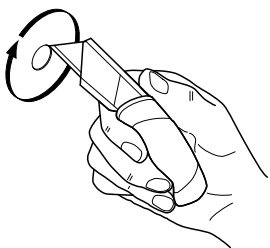
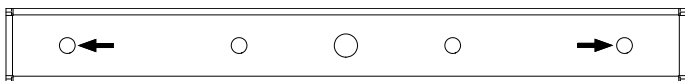
A corresponding fixing template is supplied with these mounting instructions. Refer to \Rightarrow Chapter 2. "Fixing template" on page 7.

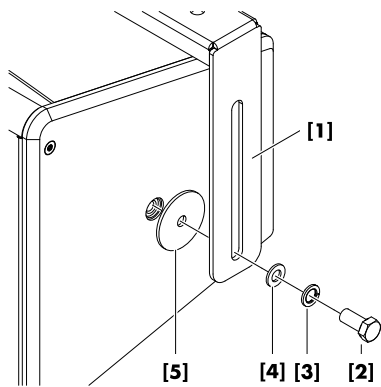
Preparing the cabinet

The top and bottom panels of the loudspeaker cabinet are each equipped with an M8 thread. The thread is covered by a dummy cap in cabinet color.

To remove the cap, proceed as follows:

1. Cut out the cap along the recessed spline using an appropriate cutting knife.
2. Carefully take off the cap and ensure the cabinet coating is not peeled off.





Attaching the cabinet to the bracket

NOTICE!

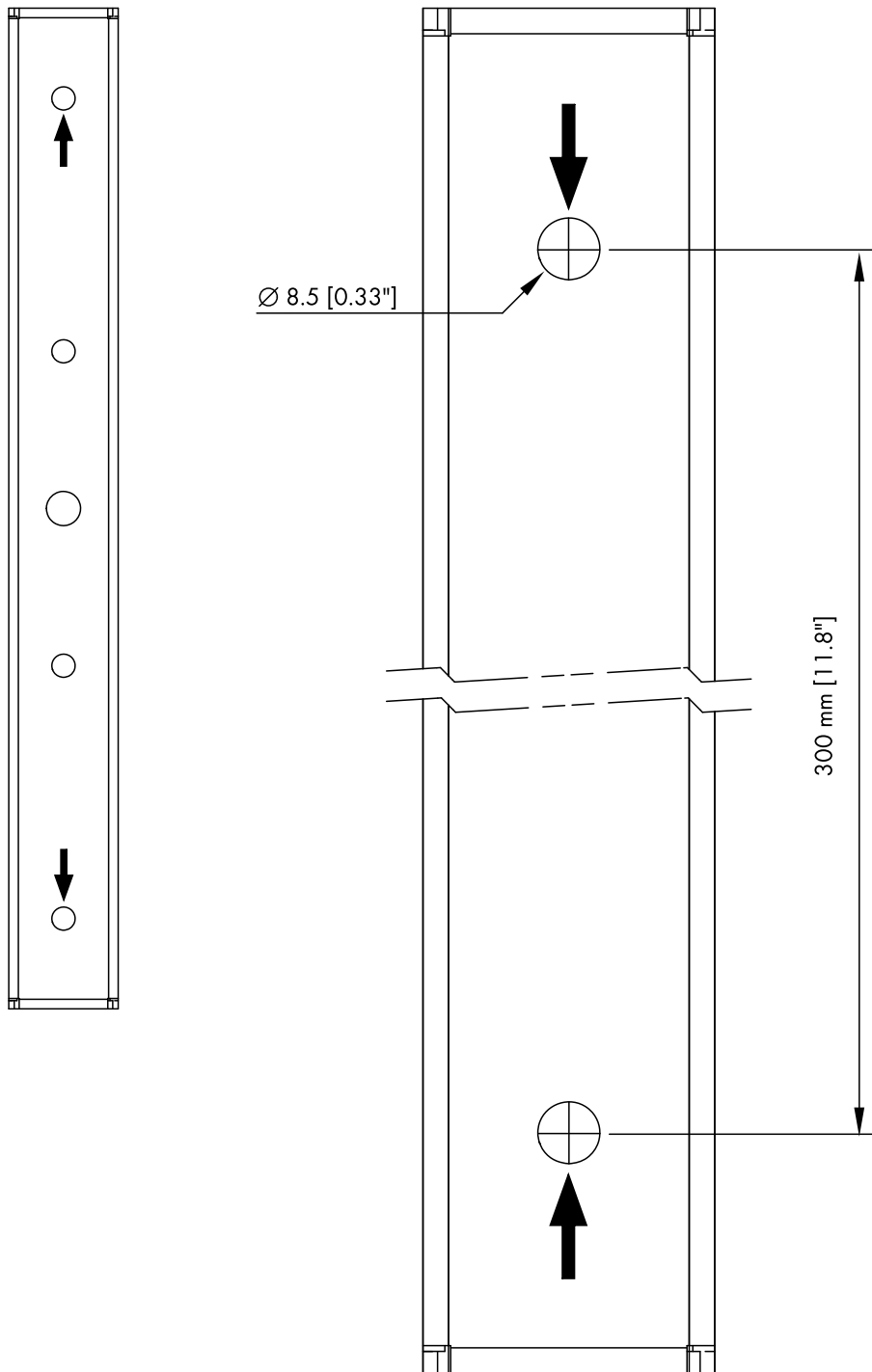
- Only use the supplied and specified screws **[2]**, otherwise there is a risk of damaging the threaded inserts.
 - Always use the spring washers **[3]** and U washers **[4]** to prevent the bolts from slackening.
-

Tools required:

- Open-ended spanner/wrench (size #13)

1. Attach the cabinet to the prepared bracket.
2. Attach the rubber washers **[5]**.
3. Insert the screws together with the spring and U washers.
4. Align the cabinet and tighten the screws.

2. Fixing template



3. Built-in dimensions

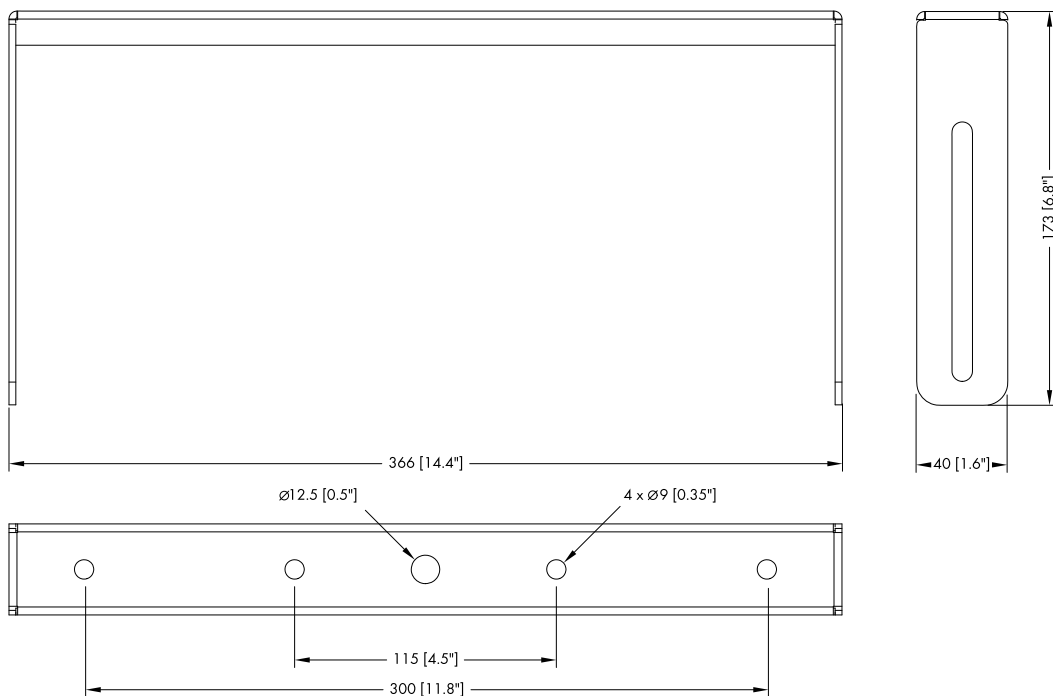


Fig. 4: Z5408 Horizontal bracket 8S, dimensions in mm [inch]

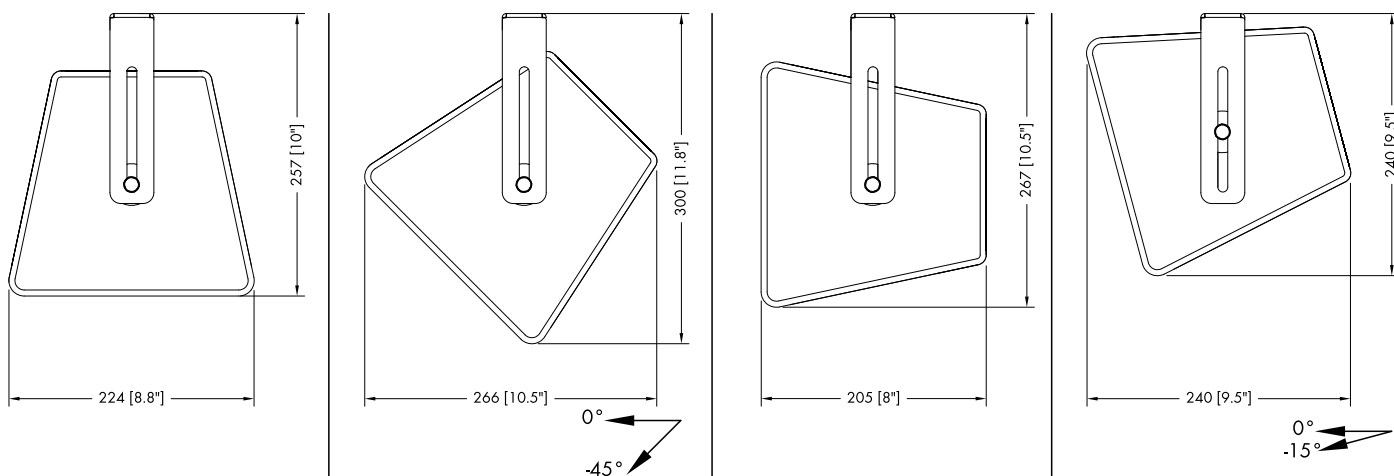


Fig. 5: Z5408 Horizontal bracket 8S, mounting options and built-in dimensions in mm [inch]

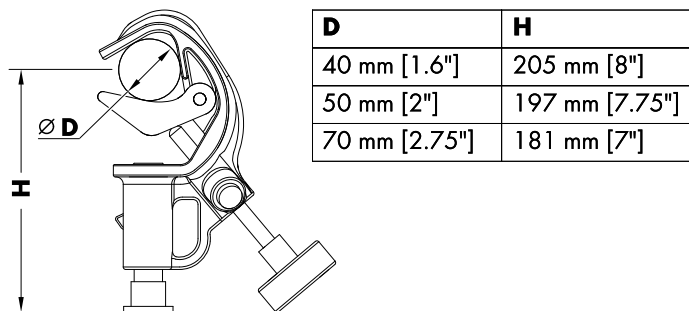


Fig. 6: Built-in dimensions Z5010/Z5012 Assembly

4. Declarations

4.1. Manufacturer's declaration

This declaration covers:

- d&b Z5408 Horizontal bracket 8S.

National standards and technical specifications applied:

DIN 18 800, DIN 1055, BGV C1, BGI 810-3.

Backnang, 2011-02-25



Frank Bothe,
Managing Director
d&b audiotechnik GmbH

4.2. Disposal

Please dispose of this product according to the respective national regulations.

Ensure that damaged rigging components are disposed of in a way that they cannot be used again.

