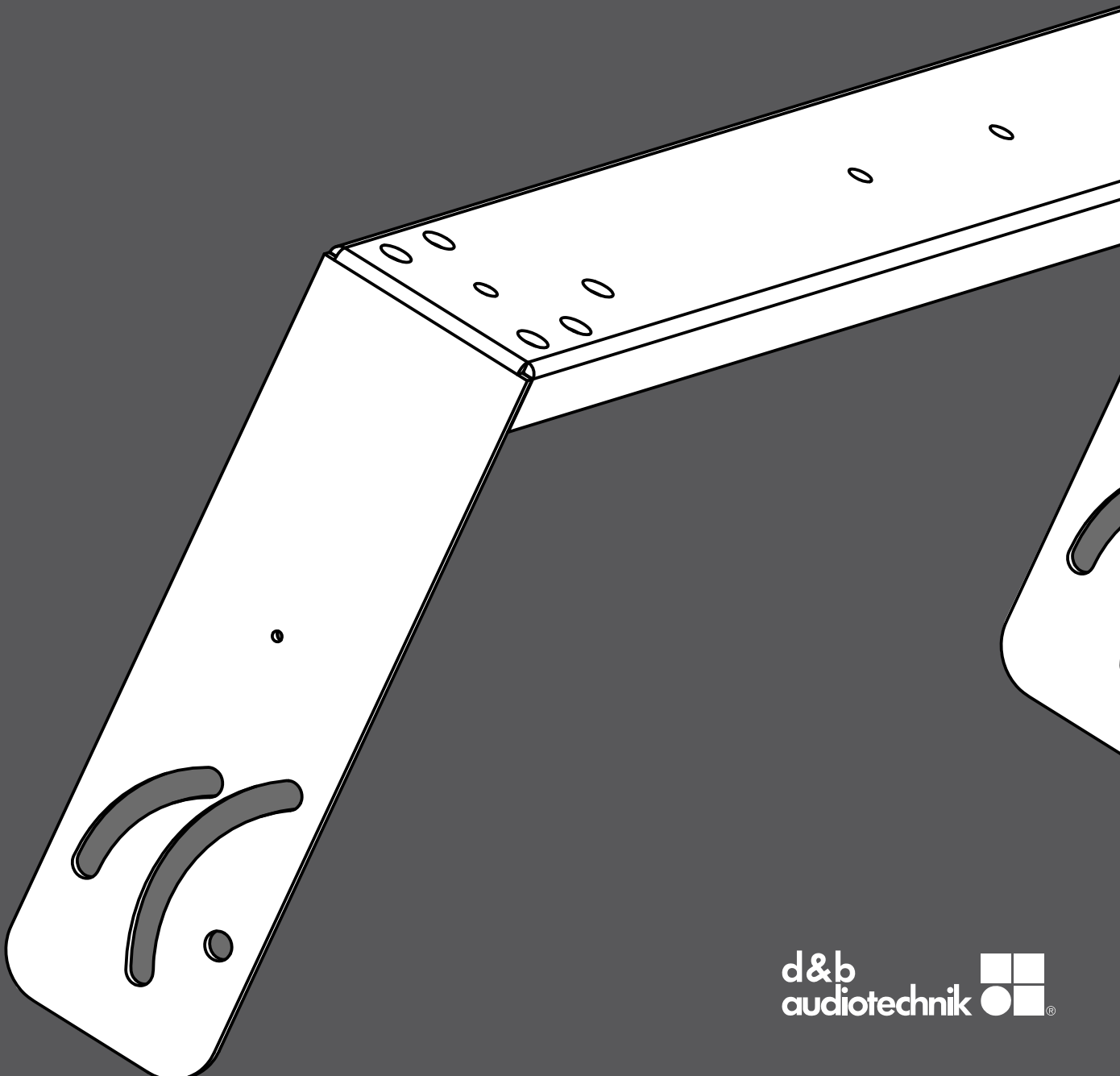


Z

Z5554 Mounting instructions 1.1 en



General information

Z5554 Mounting instructions

Version: 1.1 en, 10/2016, D2627.EN .01

Copyright © 2016 by d&b audiotechnik GmbH & Co. KG; all rights reserved.

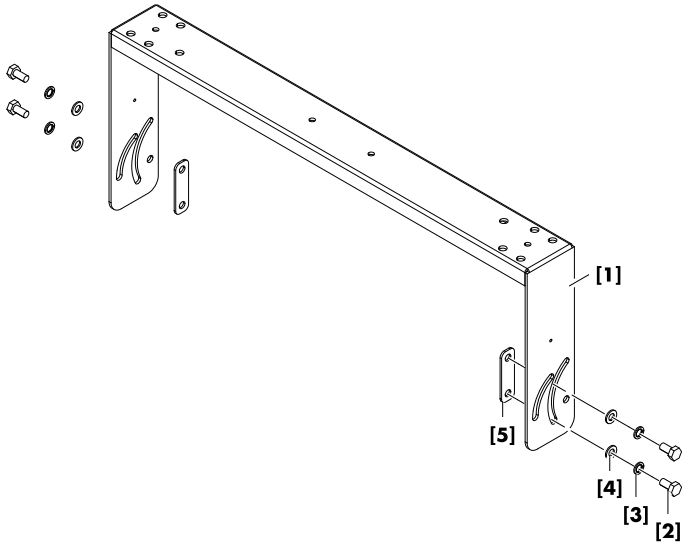
Keep this document with the product or in a safe place so that it is available for future reference.

When reselling this product, hand over this document to the new owner.

d&b audiotechnik GmbH & Co. KG
Eugen-Adolff-Str. 134, D-71522 Backnang, Germany
T +49-7191-9669-0, F +49-7191-95 00 00
docadmin@dbaudio.com, www.dbaudio.com

1	Z5554 Horizontal bracket 24S	4
1.1	Scope of supply and weight	4
1.2	Safety precautions	4
1.3	Intended use	4
1.4	Mounting options and angle settings	5
1.5	Assembly	6
1.6	Adjustments	7
2	Z5554 Fixing template	8
3	Built-in dimensions	9
4	Declarations	10
4.1	Manufacturer's declaration	10
4.2	Disposal	10

1 Z5554 Horizontal bracket 24S



Scope of supply

1.1 Scope of supply and weight

Please verify the shipment for completeness and proper condition of the items.

Qty.	d&b Code	Description
1	Z5554	Horizontal bracket 24S [1]
Including:		
4	Q3051.003.00	Hex head bolt M10 x 25 [2]
4	Q5301.000.00	Spring washer M10 [3]
4	Q5007.000.00	U washer 10.5 [4]
2	B2015.050.00	Rubber pad [5]
1	D2627.EN .01	Z5554 Mounting instructions

Weight5.2 kg (11.5 lb)

1.2 Safety precautions

General safety

Installation and setup should only be carried out by qualified and authorized personnel observing the valid national Rules for the Prevention of Accidents (RPA).

It is the responsibility of the person installing the assembly to ensure that the suspension/fixing points are suitable for the intended use.

Always carry out a visual and functional inspection of the items before use. In case you have any doubt as to the proper functioning and safety of the items, these must be withdrawn from use immediately.

Load safety information

The d&b Z5554 Horizontal bracket 24S is designed to support one d&b 24S or 24S-D cabinet.

No additional loads must be added.

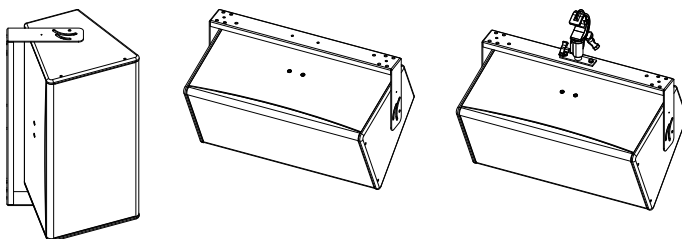
1.3 Intended use

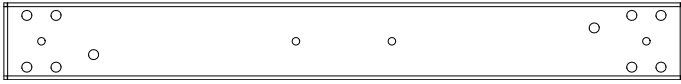
The d&b Z5554 Horizontal bracket 24S must only be used in conjunction with d&b 24S or 24S-D cabinet loudspeaker as described in these mounting instructions.

The bracket can be:

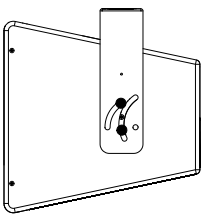
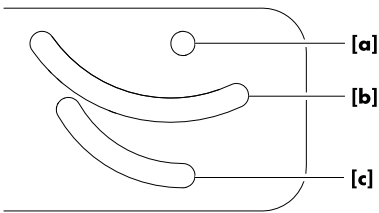
- directly mounted to walls or ceilings or other suitable surfaces.
- horizontally flown from overhead bars or truss with a tube diameter between 40 mm and 70 mm (1.5" and 2.75") using the Z5010 TV spigot with fixing plate in conjunction with the Z5012 Pipe clamp.

Note: Refer to the specific mounting instructions for assembly and operation of these accessories.

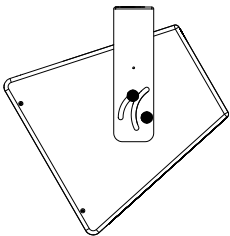
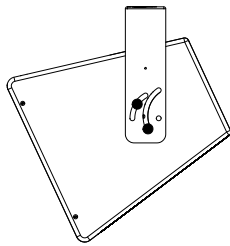




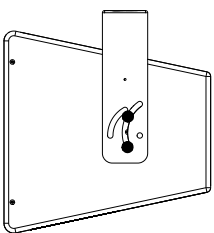
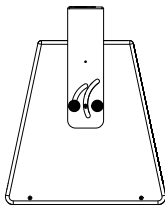
Z5554 Mounting holes



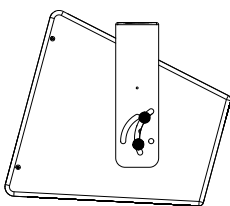
0°
-25°



-30°
90°



+15°
0°



1.4 Mounting options and angle settings

Mounting holes are provided on the tie bar of the bracket.

- Two centered 9 mm (0.35") holes at the d&b standard spacing of 115 mm (4.5") are provided. This allows the cabinet to be horizontally flown from overhead bars or truss with a tube diameter between 40 mm and 70 mm (1.5" and 2.75") using the Z5010 TV spigot with fixing plate in conjunction with the Z5012 Pipe clamp.
- Five mounting holes are provided at each end of the tie bar to attach the Z5044 MAX Bracket connector, the Z5053 Ci60/Ci90 Bracket connector or the Z5054 Ci60/Ci90 Flying adapter.

One 11 mm (0.43") hole **[a]** and two semi-circular slots **[b]**, **[c]** are located at each end of the bracket.

Using the M10 threaded inserts at the top and bottom of the loudspeaker cabinet, the bracket can be attached in different ways to allow angle settings over a range of 105°, starting from +15° through to -90°. The following mounting options and angle settings are possible.

Option 1

The bracket is attached to the cabinet with hole **[a]** facing to the back of the cabinet. One bolt is fitted into slot **[b]** and the second bolt is fitted into slot **[c]**.

The vertical coverage angle can be set over a range of 25° starting from 0° to -25°.

Option 2

The bracket is attached to the cabinet with hole **[a]** facing to the back of the cabinet. One bolt is fitted into hole **[a]** and the second bolt is fitted into slot **[c]** to allow the bolt to move in slot **[c]**.

The vertical coverage angle can be set over a range of 60° starting from -30° to -90°.

Option 3

The bracket is attached to the cabinet with hole **[a]** facing to the back of the cabinet. Both bolts are fitted into slot **[b]**.

The vertical coverage angle can be set over a range of 15° starting from 0° to +15°.

1.5 Assembly

Attaching the bracket to walls or ceilings

NOTICE!

Only use mounting parts (fixing anchors and screws) that are suitable for the intended application.

Observe the occurring extraction forces acting on the fixing anchors and screws. The rated extraction forces for the respective application (wall or ceiling mounting) and cabinet are listed in the following table.

Application	Rated extraction forces
Wall mounting	770 N
Ceiling mounting	385 N

To attach the bracket to walls or ceilings, use the holes shown in the graphic opposite to provide adequate support.

A corresponding fixing template is supplied with these mounting instructions. Refer to ⇒ Chapter 2 "Z5554 Fixing template" on page 8.

Preparing the cabinet

The threaded inserts of the cabinet are covered by dummy caps in cabinet color. To remove the caps, proceed as follows:

1. Cut out the caps along the recessed spline using an appropriate cutting knife.
2. Carefully take off the caps and ensure the cabinet coating is not peeled off.

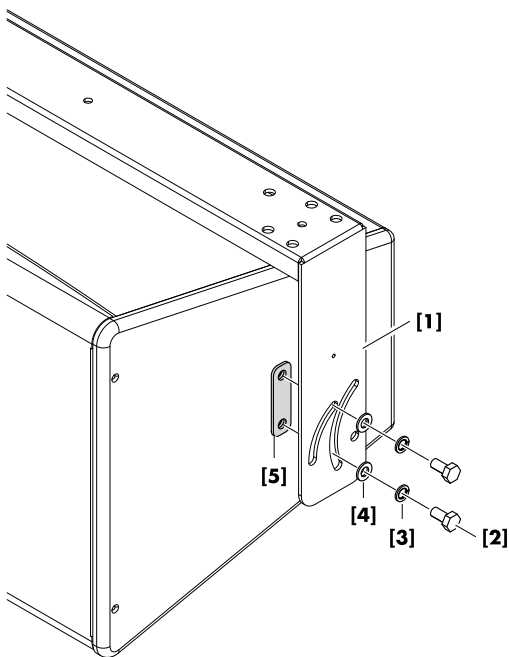
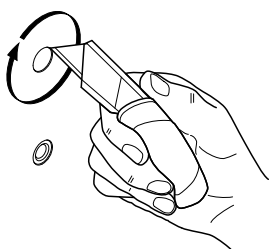
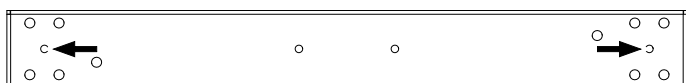
Attaching the bracket to the cabinet

NOTICE!

Only use the supplied and specified screws **[2]**, otherwise there is a risk of damaging the threaded inserts.

Always use the spring washers **[3]** and U washers **[4]** to prevent the bolts from slackening.

Always place the rubber pads **[5]** between the bracket and the cabinet to prevent the cabinet coating from scratching during assembly and adjustment.



Tools required:

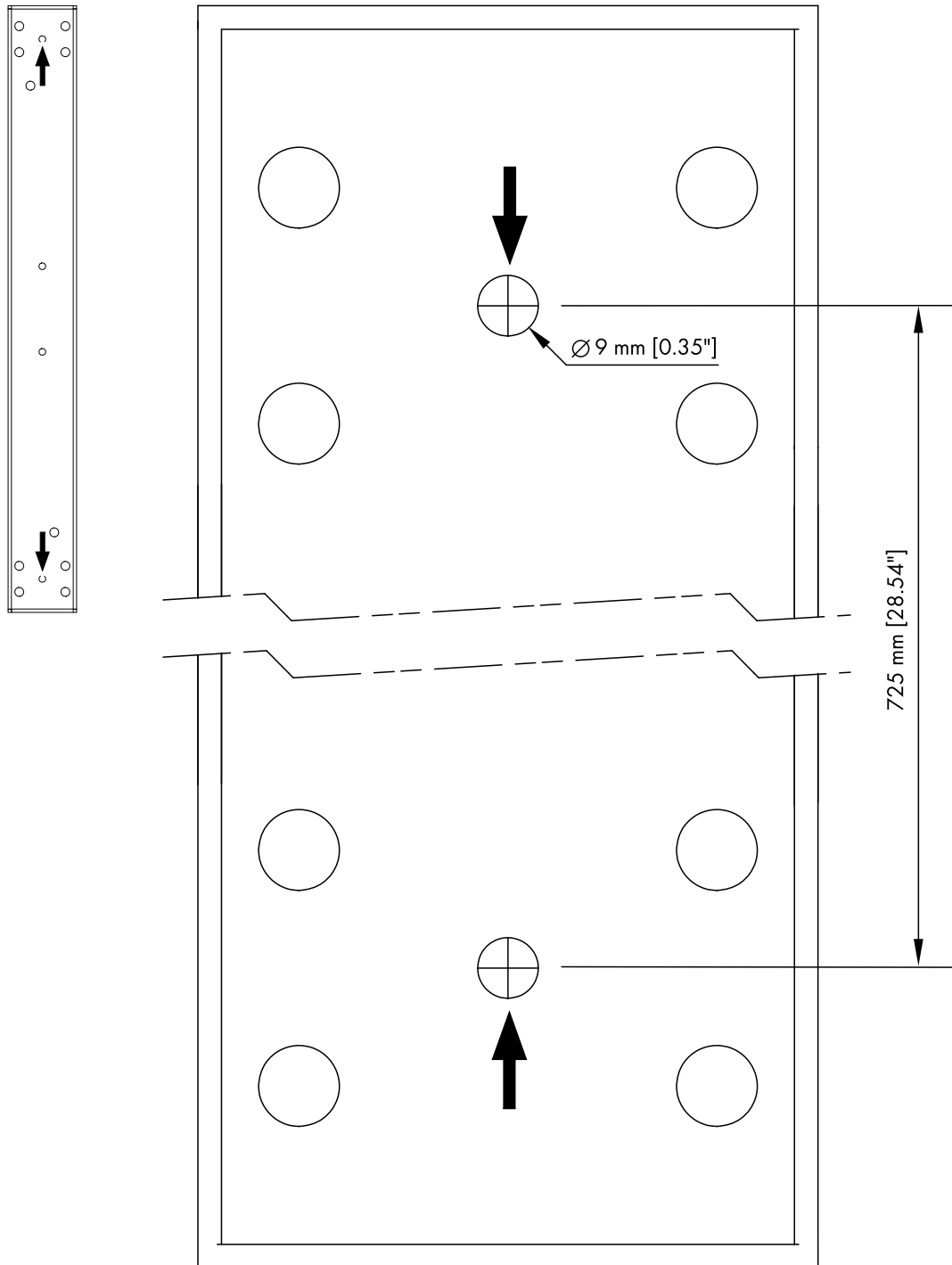
- Open-ended spanner/wrench (size #17)
1. Starting on one side, first align one hole of the rubber pad with one threaded insert.
 2. Insert one screw together with the spring and U washers.
 3. Align the second hole of the rubber pad with the second threaded insert.
 4. Insert the second screw together with the spring and U washers.
 5. Tighten both screws.
 - ↳ This will simplify the attachment of the rubber pad on the opposite side.
 6. On the opposite side, proceed in the same manner.

1.6 Adjustments

To align the cabinet to its desired angle, proceed as follows:

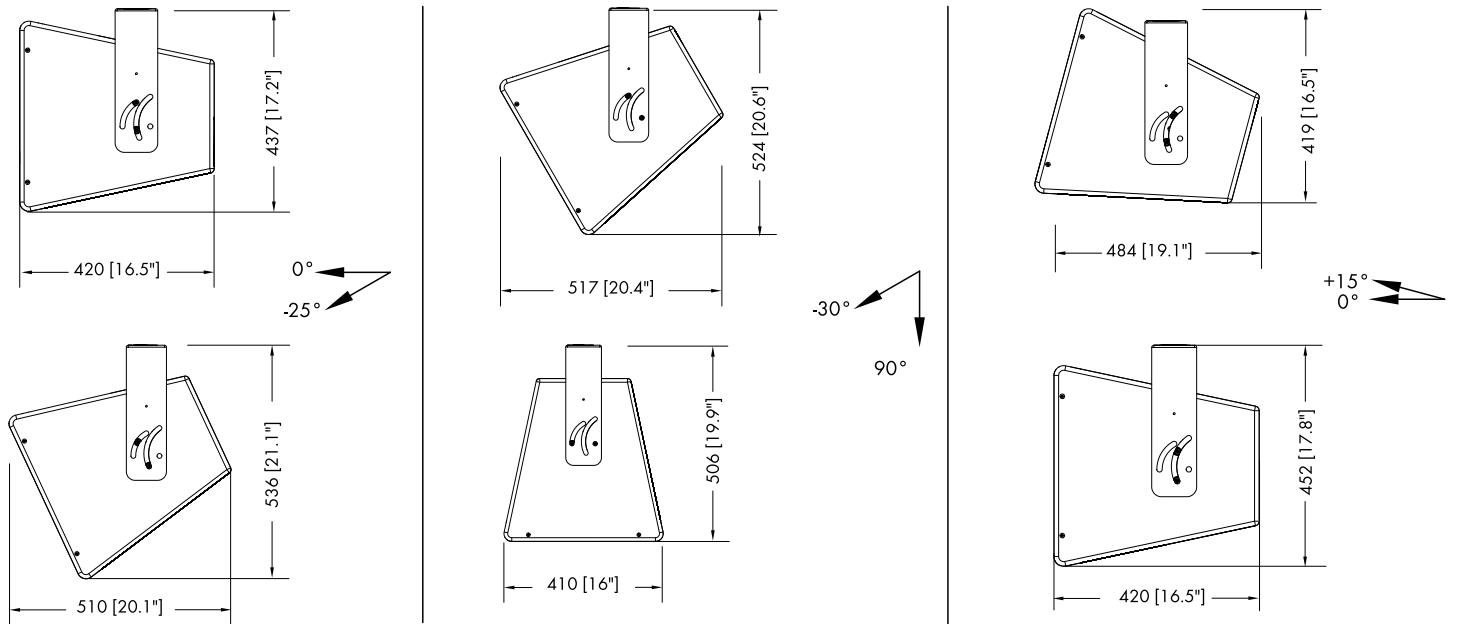
1. Slightly slacken all screws.
2. Align the cabinet to its desired angle.
3. Finally tighten all screws.

2 Z5554 Fixing template

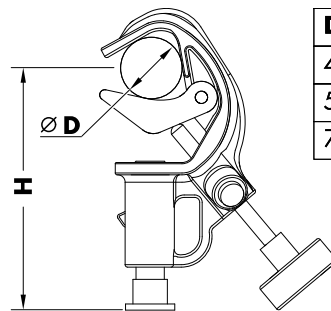


Z5554 Fixing template

3 Built-in dimensions



Z5554 Mounting options 1,2 and 3 with built-in dimensions in mm [inch]



D	H
40 mm [1.6"]	205 mm [8"]
50 mm [2"]	197 mm [7.75"]
70 mm [2.75"]	181 mm [7"]

Built-in dimensions Z5010/Z5012 Assembly

4.1 Manufacturer's declaration

This declaration covers:

- d&b Z5554, Horizontal bracket 24S.

National standards and technical specifications applied:

DIN 18 800, DIN 1055, DGUV Vorschrift 17.

Backnang, 2016-09-07



Frank Bothe,
Chief Technology Officer (CTO)
d&b audiotechnik GmbH & Co. KG



4.2 Disposal

When out of use the rigging components must be disposed of in accordance with the national environmental regulations.

Ensure that damaged rigging components are disposed of in a way that they cannot be used again.

