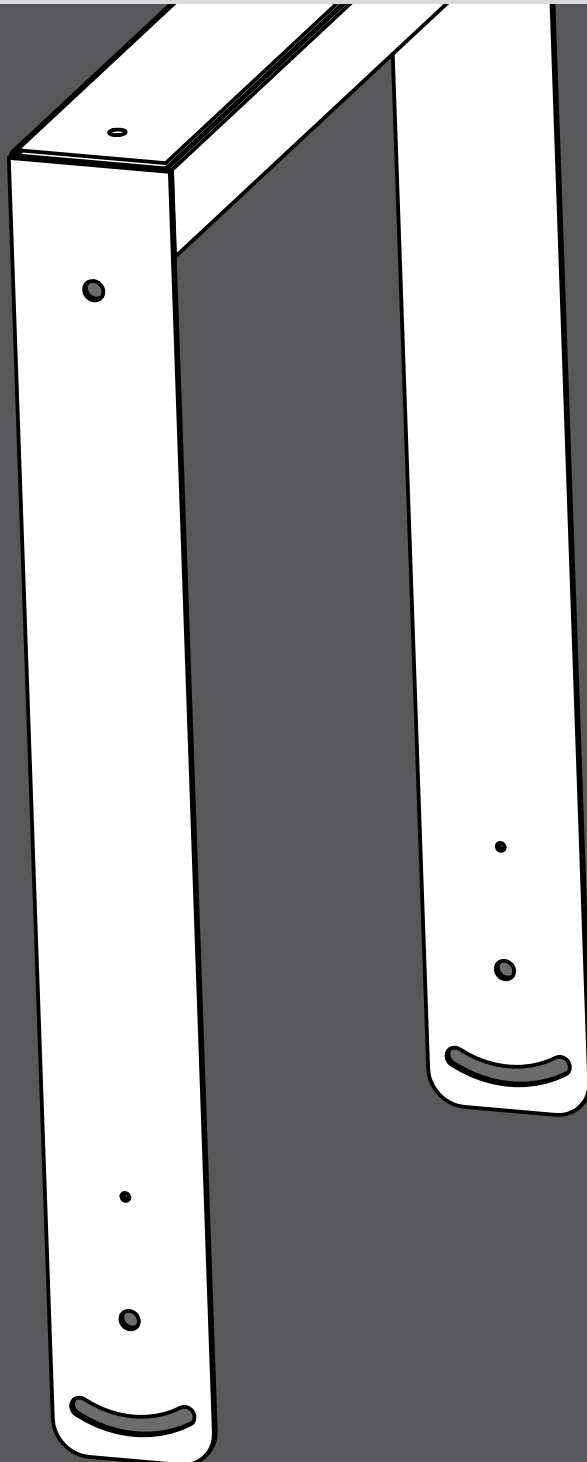


Z

Z5557 Mounting instructions 1.2 en



General information

Z5557 Mounting instructions

Version: 1.2 en, 08/2017, D2629.EN .01

Copyright © 2017 by d&b audiotechnik GmbH & Co. KG; all rights reserved.

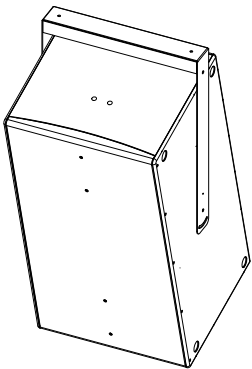
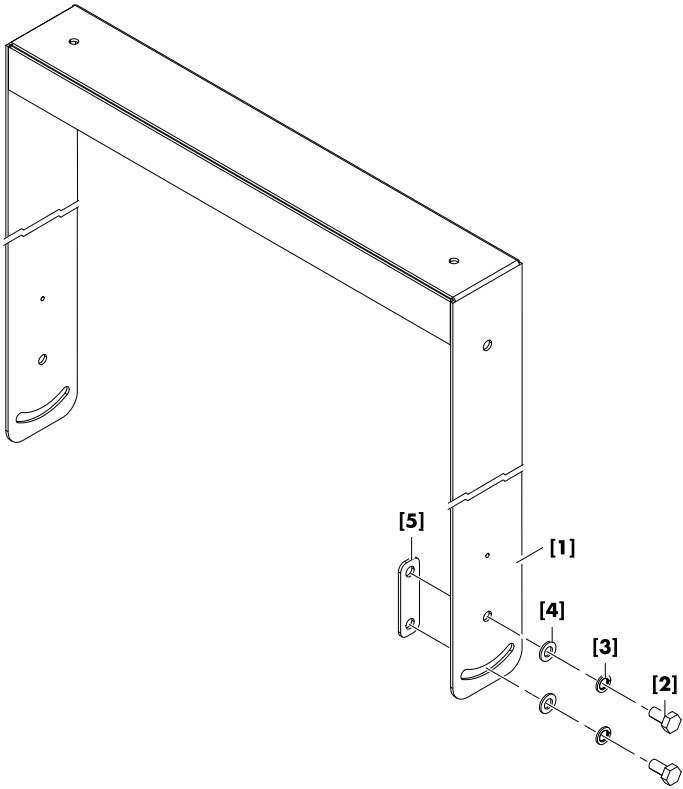
Keep this document with the product or in a safe place so that it is available for future reference.

When reselling this product, hand over this document to the new owner.

d&b audiotechnik GmbH & Co. KG
Eugen-Adolff-Str. 134, D-71522 Backnang, Germany
T +49-7191-9669-0, F +49-7191-95 00 00
docadmin@dbaudio.com, www.dbaudio.com

1	Z5557 Flying bracket 21S-SUB	4
1.1	Scope of supply and weight	4
1.2	Safety precautions	4
1.3	Intended use	4
1.4	Mounting options and angle settings	5
1.5	Assembly	5
1.6	Adjustments	6
2	Z5557 Fixing template	7
3	Built-in dimensions	8
4	Declarations	9
4.1	Manufacturer's declaration	9
4.2	Disposal	9

1 Z5557 Flying bracket 21S-SUB



1.1 Scope of supply and weight

Please verify the shipment for completeness and proper condition of the items.

Qty.	d&b Code	Description
1	Z5557	Flying bracket 21S-SUB [1]
Including:		
4	Q3051.003.00	Hex head bolt M10 x 25 [2]
4	Q5301.000.00	Spring washer M10 [3]
4	Q5007.000.00	U washer 10.5 [4]
2	B2015.050.00	Rubber pad [5]
1	D2629.EN .01	Z5557 Mounting instructions

Weight 7.7 kg (17 lb)

1.2 Safety precautions

General safety

Installation and setup should only be carried out by qualified and authorized personnel observing the valid national Rules for the Prevention of Accidents (RPA).

It is the responsibility of the person installing the assembly to ensure that the suspension/fixing points are suitable for the intended use.

Always carry out a visual and functional inspection of the items before use. In case you have any doubt as to the proper functioning and safety of the items, these must be withdrawn from use immediately.

Load safety information

The d&b Z5557 Flying bracket 21S-SUB is designed to support one d&b 21S-SUB loudspeaker.

No additional loads must be added.

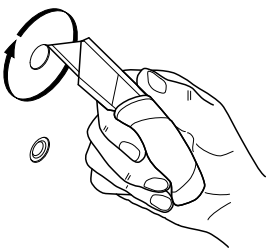
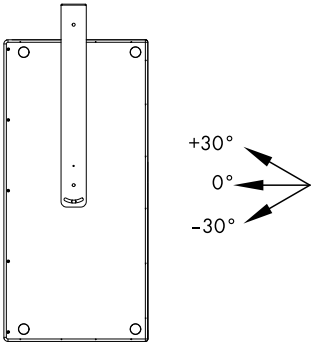
1.3 Intended use

The d&b Z5557 Flying bracket 21S-SUB must only be used in conjunction with d&b 21S-SUB loudspeaker as described in these mounting instructions.

The bracket can be directly mounted to ceilings.



Z5557 Mounting holes



1.4 Mounting options and angle settings

One 9 mm (0.35") hole is provided at each end of the tie bar to attach the bracket directly to the ceiling.

Each end of the bracket is equipped with a semi-circular slot to allow the subwoofer to be vertically aligned within a range of 60° (± 30).

1.5 Assembly

Attaching the bracket to ceilings

NOTICE!

Only use mounting parts (fixing anchors and screws) that are suitable for the intended application.

Observe the occurring extraction forces acting on the fixing anchors and screws. The rated extraction force is **620 N**.

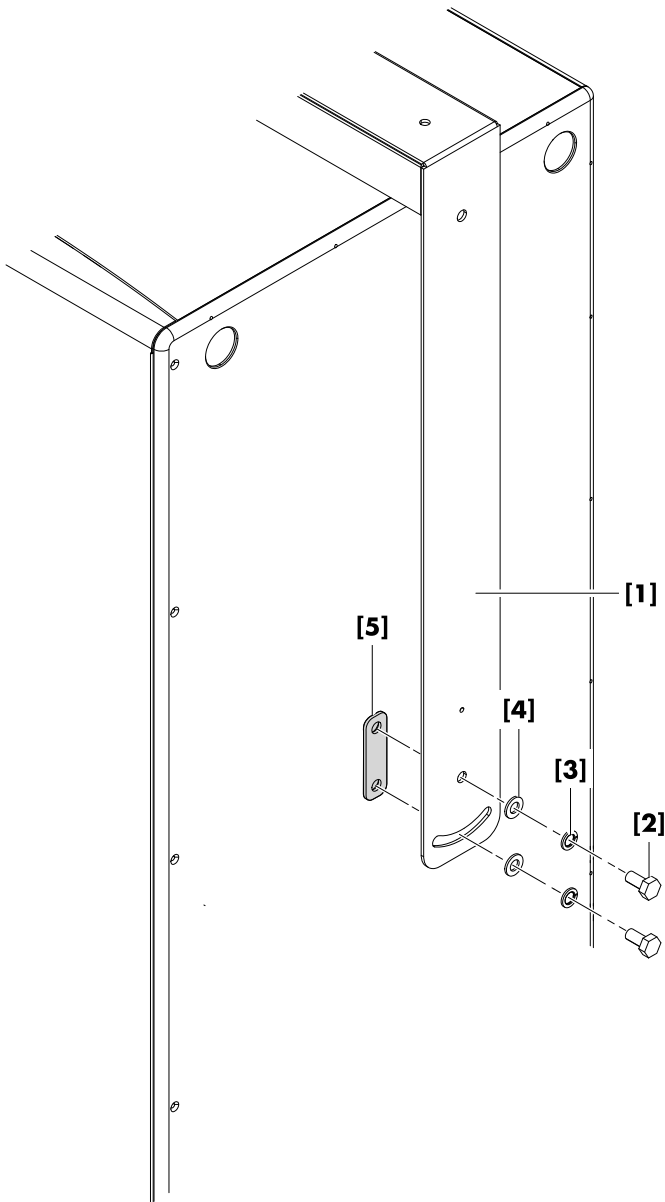
To attach the bracket to the ceiling, use the holes shown in the graphic opposite to provide adequate support.

A corresponding fixing template is supplied with these mounting instructions. Refer to \Rightarrow Chapter 2 "Z5557 Fixing template" on page 7.

Preparing the cabinet

The threaded inserts of the cabinet are covered by dummy caps in cabinet color. To remove the caps, proceed as follows:

1. Cut out the caps along the recessed spline using an appropriate cutting knife.
2. Carefully take off the caps and ensure the cabinet coating is not peeled off.



Attaching the bracket to the cabinet

NOTICE!

Only use the supplied and specified screws **[2]**, otherwise there is a risk of damaging the threaded inserts.

Always use the spring washers **[3]** and U washers **[4]** to prevent the bolts from slackening.

Always place the rubber pads **[5]** between the bracket and the cabinet to prevent the cabinet coating from scratching during assembly and adjustment.

Tools required:

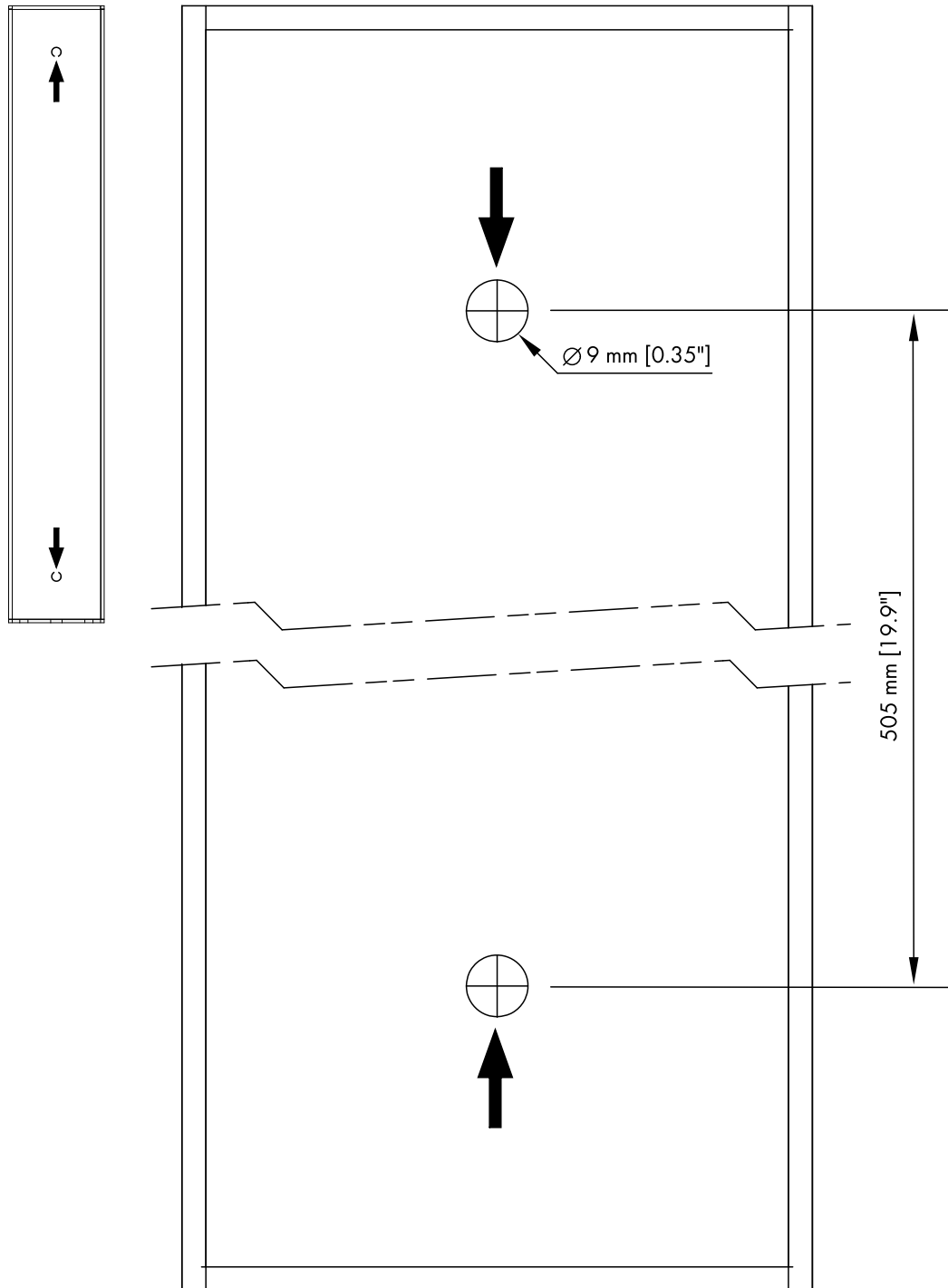
- Open-ended spanner/wrench (size #17)
1. Starting on one side, first align one hole of the rubber pad with one threaded insert.
 2. Insert one screw together with the spring and U washers.
 3. Align the second hole of the rubber pad with the second threaded insert.
 4. Insert the second screw together with the spring and U washers.
 5. Tighten both screws.
 - ↳ This will simplify the attachment of the rubber pad on the opposite side.
 6. On the opposite side, proceed in the same manner.

1.6 Adjustments

To align the cabinet to its desired angle, proceed as follows:

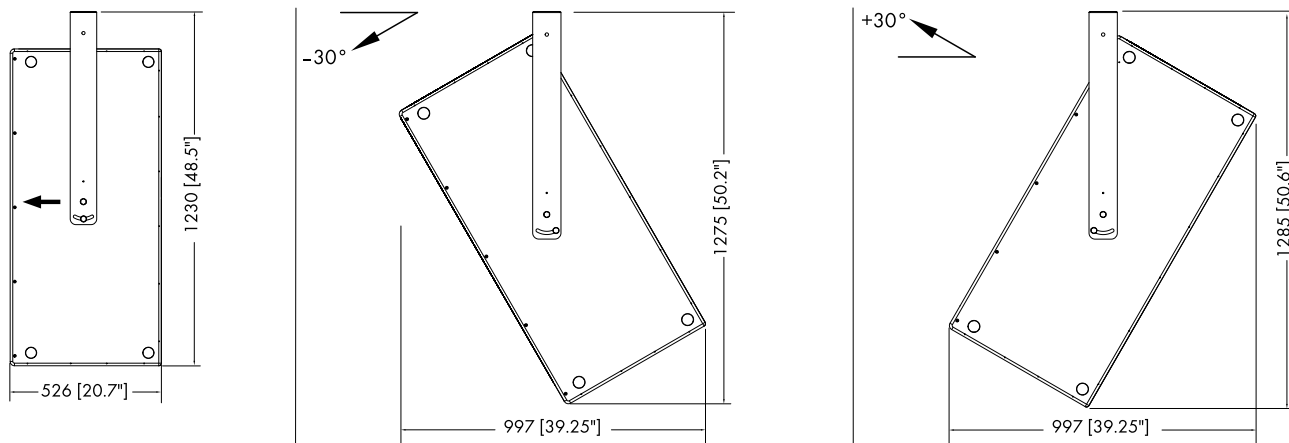
1. Slightly slacken all screws.
2. Align the cabinet to its desired angle.
3. Finally tighten all screws.

2 Z5557 Fixing template



Z5557 Fixing template

3 Built-in dimensions



Z5557 Mounting options and built-in dimensions in mm [inch]

4.1 Manufacturer's declaration


This declaration covers:

- d&b Z5557, Flying bracket 21S-SUB.

National standards and technical specifications applied:

DIN 18 800, DIN 1055, DGUV Vorschrift 17.

Backnang, 2016-09-07



Frank Bothe,
Chief Technology Officer (CTO)
d&b audiotechnik GmbH & Co. KG

d&b
audiotechnik 

4.2 Disposal

When out of use the rigging components must be disposed of in accordance with the national environmental regulations.

Ensure that damaged rigging components are disposed of in a way that they cannot be used again.

