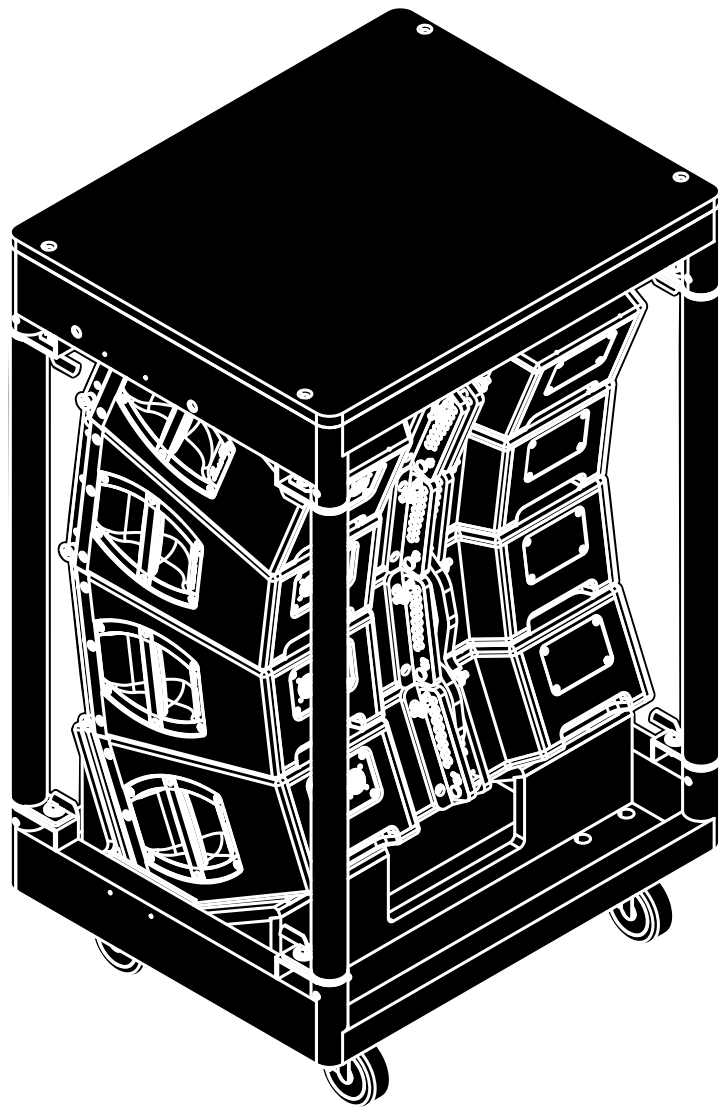
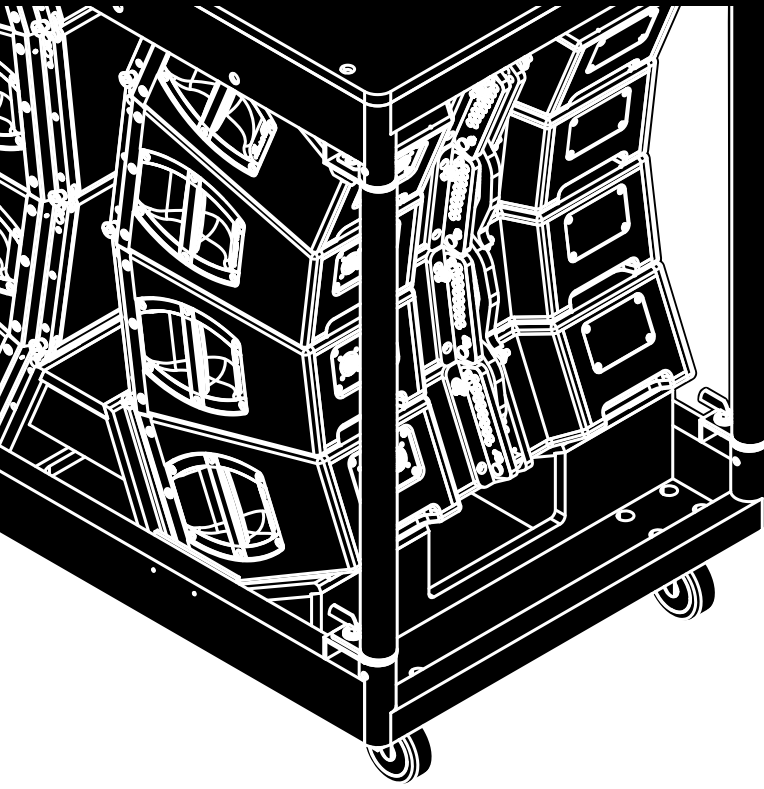


# Y

## E7470/E7471 Rigging manual 1.1 en



## **General information**

E7470/E7471 Rigging manual

Version: 1.1 en, 08/2014, D2709.EN .01

Copyright © 2014 by d&b audiotechnik GmbH; all rights reserved.

**Keep this manual with the product or in a safe place so that it is available for future reference.**

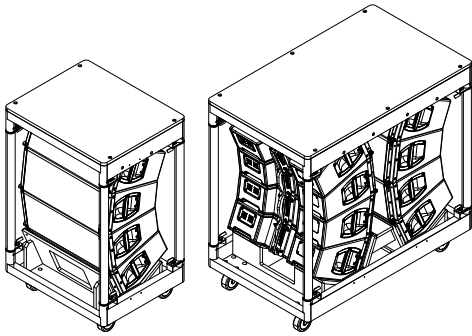
When reselling this product, hand over this manual to the new owner.

If you supply d&b products, please draw the attention of your customers to this manual. Enclose the relevant manuals with the systems. If you require additional manuals for this purpose, you can order them from d&b.

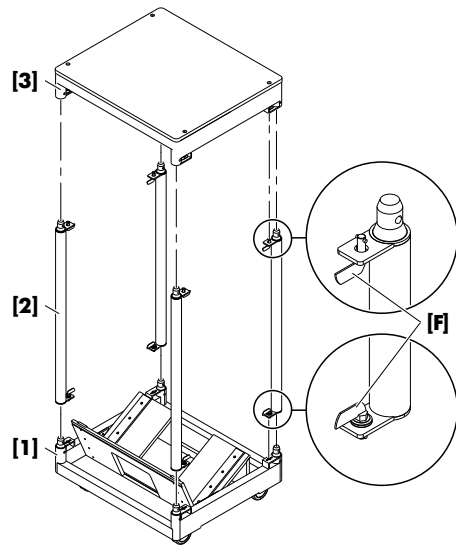
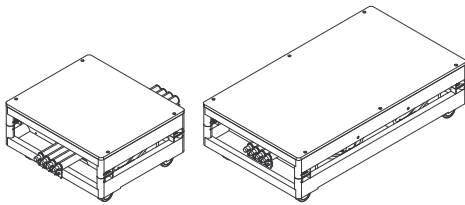
d&b audiotechnik GmbH  
Eugen-Adolff-Strasse 134, D-71522 Backnang, Germany  
T +49-7191-9669-0, F +49-7191-95 00 00  
docadmin@dbaudio.com, www.dbaudio.com

<b>1. E7470/E7471 Y Touring carts.....</b>	<b>4</b>
1.1. Intended use.....	4
1.2. Scope of supply.....	4
1.3. Weights and dimensions.....	5
1.4. Additional top loads.....	5
1.5. Loading the cabinets onto the cart.....	6

# 1. E7470/E7471 Y Touring carts



**E7470 and E7471 Y Touring carts**



## Y Touring carts, scope of supply

**Shown:** E7470 Touring cart 4 x Y8/Y12

### 1.1. Intended use

The E7470 and E7471 Y Touring carts are intended to store and transport 4 x Y8/Y12 (E7470) or 8 x Y8/Y12 (E7471) cabinets, respectively.

The entire cabinet assembly stored in the cart can be directly connected to the Y Flying frame or mounted below already suspended Y8/Y12 or Y-SUB cabinets.

A detailed description of the assembly and disassembly of Y-Series arrays in conjunction with the Y Touring carts is given in the Y-Series Rigging manual which is provided with the Y Flying frame.

### 1.2. Scope of supply

#### Delivery state

The Y-Series Touring carts are supplied in a dismantled state as shown in the graphic opposite.

**Note:** This is also a space-saving way to store the carts on site during an event.

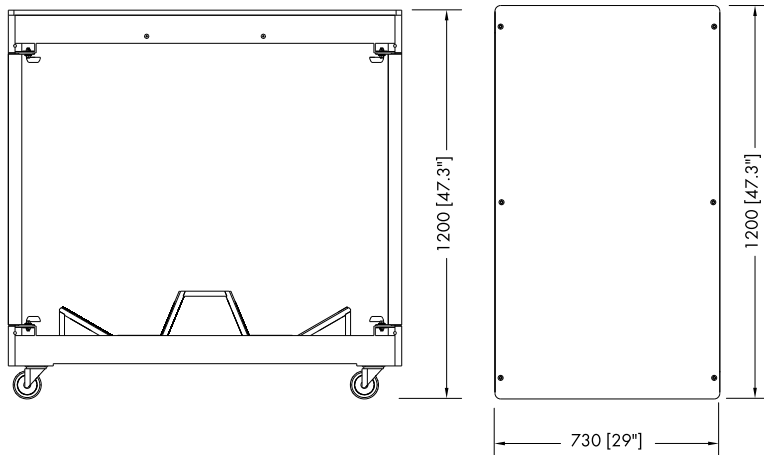
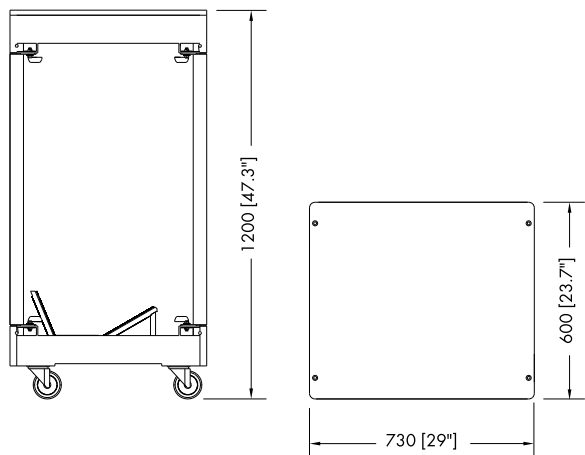
Please verify the shipment for completeness and proper condition of the items.

Qty.	d&b Code	Description
1	E7470	d&b Touring cart 4 x Y8/Y12
1	E7471	d&b Touring cart 8 x Y8/Y12
Each including:		
1		Bottom tray with wheels <b>[1]</b> (specific to cart).
4		Connecting poles <b>[2]</b> equipped with two fasteners (CamLocks) <b>[F]</b> each.
1		Top lid <b>[3]</b> (specific to cart).
1	D2709.EN .01	Rigging manual

### 1.3. Weights and dimensions

Total weight including cabinets:

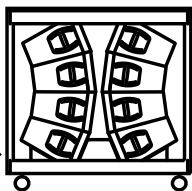
E7470 .....	130 kg ( 285 lb)
E7471 .....	230 kg ( 510 lb)



**E7470 and E7471 dimensions in mm [inch]**

LOAD 8 x Y8/Y12  
 TOTAL WEIGHT 230 kg (510 lb)  
 MAX. TOP LOAD 200 kg (440 lb)

**CAUTION** LOCK PINS  
 DIMENSIONS:  
 H x W x D (cm) 120 x 120 x 73  
 H x W x D (inch) 47.3 x 47.3 x 29



LOAD 4 x Y8/Y12  
 TOTAL WEIGHT 130 kg (285 lb)  
 MAX. TOP LOAD 100 kg (220 lb)

**CAUTION** LOCK PINS  
 DIMENSIONS:  
 H x W x D (cm) 120 x 60 x 73  
 H x W x D (inch) 47.3 x 23.7 x 29



### 1.4. Additional top loads

**CAUTION!**  
 Possible risk of personal injury and/or damage to material!

Observe the maximum permitted top load as indicated on the corresponding instruction label of the cart:

- **E7470** - 100 kg (220 lb)
- **E7471** - 200 kg (440 lb)

These additional top loads are only permitted during transport provided the loads are secured against movement and tipping over.

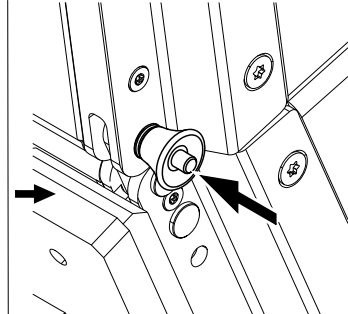
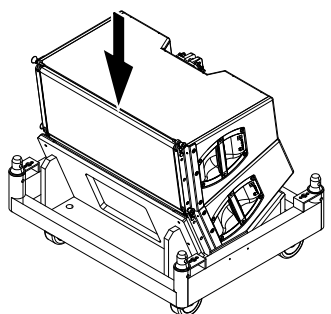
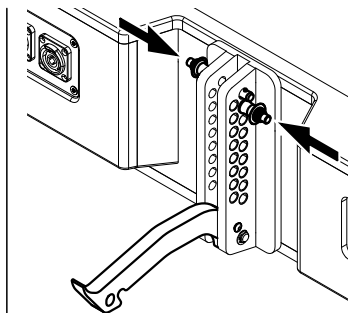
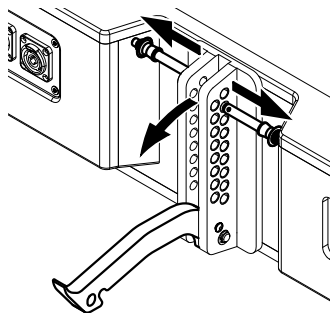
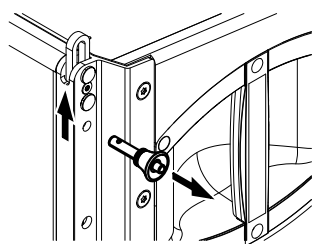
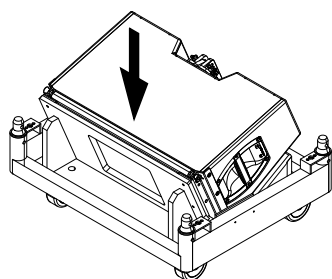
Any additional top load must be removed before moving the carts when unloading or moving them to the assembly position.

## 1.5. Loading the cabinets onto the cart

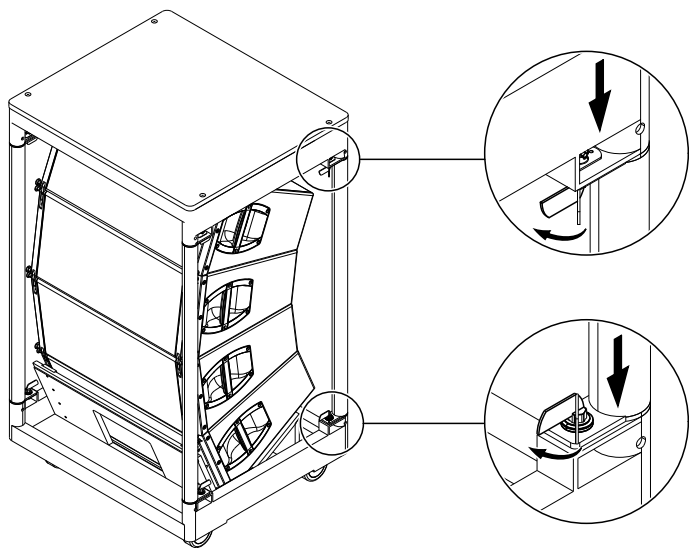
### Order of assembly

The bottom tray and the top lid of a cart are interconnected by four connecting poles, which are equipped with two fasteners (CamLocks) each.

**Note:** To prevent the connecting poles from any damage when loading the cabinets on the cart, we recommend you to attach the poles only after the cart is fully loaded.



1. Place the first cabinet on the bottom tray.
2. At the front release the Locking pins of the Front links.  
⇒ The Front links will slide out automatically.
3. On the rear release both Locking pins and fold out the Splay link.
4. Reinsert the Locking pins.
6. Prepare the Front and Splay links of the next cabinet in the same manner as described for the first cabinet.
7. Attach the prepared cabinet to the corresponding slots at the front of the bottom cabinet.
8. Insert and lock the Locking pins of the cabinet's Front links on both sides.
9. Add the remaining two cabinets in the same manner until the assembly is completed.



10. Attach the poles to the bottom tray and lock all fasteners (CamLocks).

11. Attach the top lid and lock all fasteners (CamLocks).

**Note:** The top lids of the touring carts are equipped with additional guiding tracks to fix the cabinet assemblies in place. In conjunction with the E7470 Touring cart 4 x Y8/Y12 observe the direction of attachment as shown in the graphic below.

