

**Z5010 (Version 2)**  
**TV spigot with fixing plate**  
**Mounting instructions**

## Z5010 (Version 2) TV spigot with fixing plate

### References in the manual

**WARNING!** This refers to a potentially dangerous situation which may lead to personal injury.

**CAUTION!** This refers to a potentially dangerous situation which may lead to equipment damage.

**IMPORTANT!** This refers to a situation which may cause the equipment to malfunction.

### Symbols on the equipment



Please refer to the information in the operating manual.

### General Information

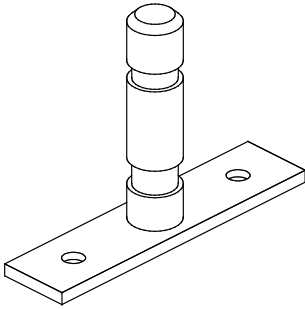
Mounting instructions  
Z5010 (Version 2) TV spigot with fixing plate  
Version 4.0E, 11/2001, D0016117

© d&b audiotechnik AG 2001; all rights reserved.

The information presented in this document is, to the best of our knowledge, correct. We will however not be held responsible for the consequences of any errors or omissions. Technical specifications, weights and dimensions can change and should always be confirmed with d&b audiotechnik AG prior to inclusion in any additional documentation.

d&b audiotechnik AG  
Eugen-Adolff-Strasse 134, D-71522 Backnang  
Telephone +49-7191-9669-0, Fax +49-7191-95 00 00

## Z5010 TV spigot with fixing plate (Version 2)



**Z 5010,  
TV spigot with fixing plate**

The Z5010 TV spigot with fixing plate allows certain d&b loudspeakers to be attached to the telescopic lighting supports normally used in broadcast studios. Used with a Z5012 Pipe clamp (SWLmax 50 kg/110 lb) it also allows certain d&b loudspeakers to be suspended from an overhead bar or truss with a tube diameter between 32 mm and 50 mm.

The TV spigot fixing plate is normally bolted directly to the M8 threaded inserts of E1 or E3 cabinets using the screws and washers provided but may also be used with other d&b loudspeaker rigging accessories.

- Direct assembly to E1 or E3 loudspeakers
- Direct assembly to 2 x E3 using Z5031 E3 Standard bracket
- Z5023 02 Flying bracket
- Z0124 E1 Vertical bracket
- Z0126 E1 Horizontal bracket
- Z5032 E3 Swivel bracket
- Z5028 E3 Horizontal bracket
- Z5030 E3 x 2 Angle bracket
- Z5052 CI6/CI9 Flying bracket

### Safety instructions

**Secondary safeties should always be provided and used when flying or fixing loudspeaker loads overhead.**

### Load safety informations

**The maximum permitted safe working load (SWL) for the Z5010 TV spigot with fixing plate is 50 kg/110 lb and this value must on no account ever be exceeded.**

**Additionally, the load force must only act vertically on the fixing plate - any type of shear load must be avoided.**

**WARNING!**

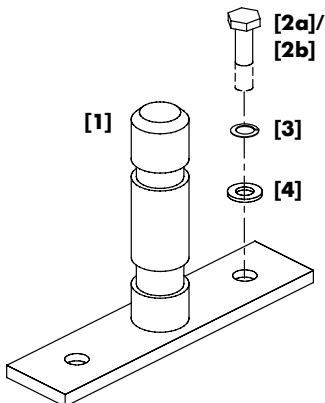
**WARNING!**

### Part list Z5010

- 1 x Z5010, TV spigot with fixing plate **[1]**
- 2 x DIN 933-M8x18-8.8 Hex head bolt **[2a]**
- 2 x DIN 933-M8x25-8.8 Hex head bolt **[2b]**
- 2 x 8.2 Spring washer **[3]**
- 2 x 8.4 Plain washer **[4]**

### Weight Z5010

0.87 kg/1.91 lb



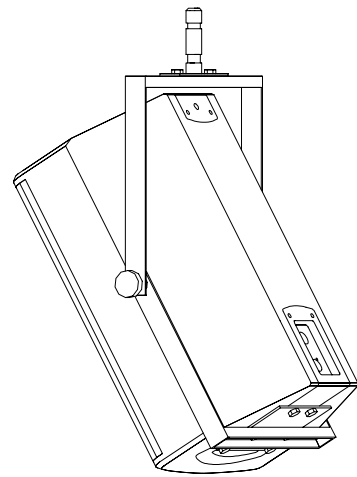
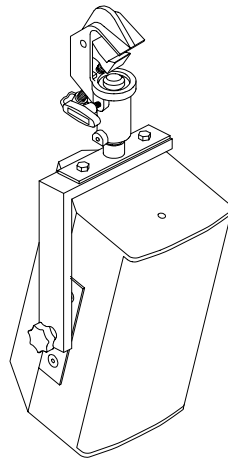
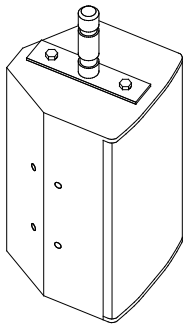
## Assembly

The Z5010 TV spigot with fixing plate can be mounted directly to E1 or E3 loudspeakers using the two M8 x 18mm hex head bolts [2a], spring [4] and plain [5] washers supplied.

Fixing bolts with a thread length longer than 18 mm must not be used. Longer bolts can punch in the cabinet threaded inserts and breach the cabinets airtight seal.

Alternatively the TV spigot is mounted to the accessories listed above using the two M8 x 25mm hex head bolts [2b], spring [3] and plain [4] washers supplied.

**IMPORTANT!**



**Application examples**