

**Z5057**

**M6 Flying bracket**

**Mounting instructions (1.0 EN)**

## Contents

<b>1. Safety</b> .....	<b>3</b>
<b>2. Load safety information</b> .....	<b>3</b>
<b>3. Scope of supply</b> .....	<b>3</b>
<b>4. Weight / Dimensions</b> .....	<b>3</b>
<b>5. Product description</b> .....	<b>4</b>
<b>6. Assembly</b> .....	<b>4</b>
<b>7. Operation</b> .....	<b>4</b>
<b>8. Application examples</b> .....	<b>5</b>
<b>9. Maintenance and care</b> .....	<b>5</b>
9.1. Cleaning.....	5
9.2. Inspection.....	5
9.3. Test recommendations.....	5

## General Information

Z5057 M6 Flying bracket  
Mounting instructions

Version 1.0 EN, 10/2009, D2998.EN .01

Copyright © 2009 d&b audiotechnik GmbH, all rights reserved.

**Keep this manual with the product or in a safe place so that it is available for future reference.**

If you supply d&b products, please draw the attention of your customers to the safety guidelines. Enclose the relevant manuals with the products. If you require additional manuals for this purpose, you can order them from d&b.

d&b audiotechnik GmbH  
Eugen-Adolff-Strasse 134, D-71522 Backnang, Germany  
Telephone +49-7191-9669-0, Fax +49-7191-95 00 00  
E-mail: docadmin@dbaudio.com, Internet: www.dbaudio.com

# Z5057 M6 Flying bracket

## 1. Safety

The Z5057 M6 Flying bracket must only be used in conjunction with the d&b M6 stage monitor as described in this mounting instructions.

Installation should only be carried out by fully trained personnel. There are certain rules for installation that must be complied with.

It is the responsibility of the person installing the assembly to ensure that the structure being attached to is suitable for the intended use.

The flying bracket must be inspected for faults before use. Please pay attention to section 9. Maintenance and care on page 5.

In the case of a malfunction or in any doubt of proper function and safety the bracket must be withdrawn from use immediately.

Secondary safeties must always be provided and used when flying or fixing loudspeaker loads overhead.

## 2. Load safety information

**The maximum permitted load of the Z5057 M6 Flying bracket is 16 kg/35.3 lb**

**The M6 Flying bracket must only ever be used with the outer frame [A] vertically aligned whether suspended or placed on top of a loudspeaker stand.**

## 3. Scope of supply

1 x Z5057 M6 Flying bracket [1] including:

2 x Handbolts M10x20 [2]

and this Mounting instructions.

Please verify the shipment for completeness. Please carry out a visual inspection of the packaging and obvious damage during shipment.

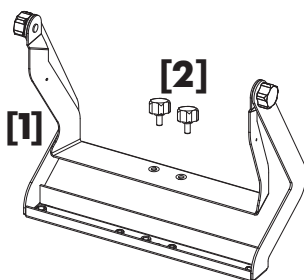
If there is any sign of damage or incompleteness to the items listed in above please contact your local dealer from whom you received the Flying bracket.

## 4. Weight / Dimensions

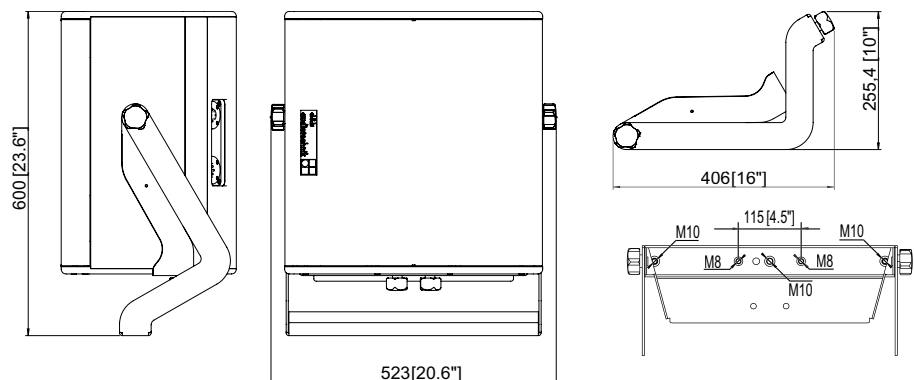
Weight.....5.5 kg (12 lb)



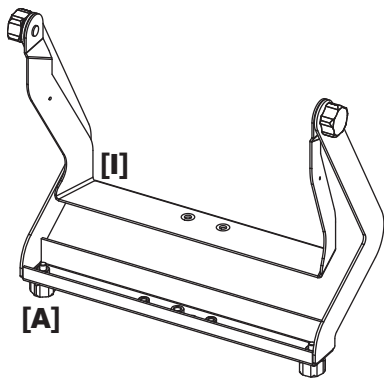
**WARNING!**



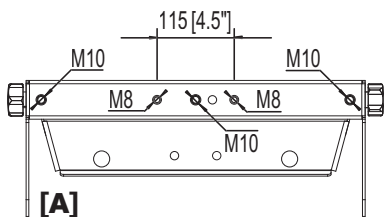
**Fig. 1: Z5057 M6 Flying bracket Part list**



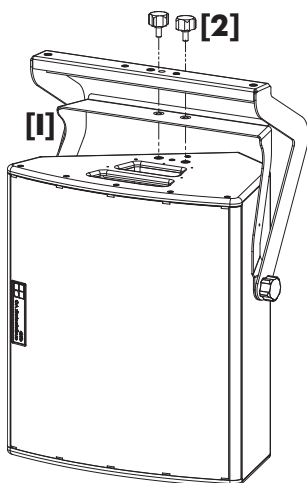
**Fig. 2: Z5057 M6 Flying bracket dimensions in mm [inch]**



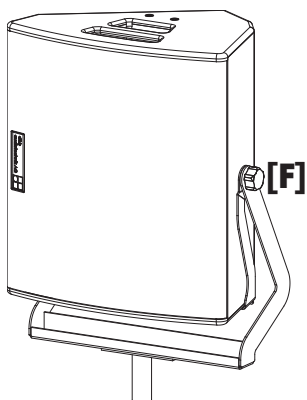
**Fig. 3: Z5057 M6 Flying bracket**



**Fig. 4: Threaded inserts of the outer bracket [A]**



**Fig. 5: Attaching the Z5057 M6 Flying bracket to the cabinet**



**Fig. 6: Z5057 M6 Flying bracket operation**

## 5. Product description

The Z5057 M6 Flying bracket enables M6 loudspeaker cabinets to be mounted and set to different horizontal or vertical angles.

### Outer frame

The tie bar of the outer frame [A] is supplied with two threaded inserts M8 at the d&b standard spacing (115 mm / 4.5") for attaching the following adapters:

The Z5024 Loudspeaker stand adapter for attaching the cabinet to a loudspeaker high stand.

The Z5010 TV spigot with fixing plate for attaching the cabinet to e.g. trusses in flown applications.

The centre M10 threaded insert of the tie bar can be used to attach a TV spigot with an M10 bolt.

The two M10 threaded inserts at the edge of the tie bar are intended for the use with two M10 safety eye bolts (Q9032) to suspend the cabinet using steel wire ropes or to park the two handbolts [2] during storage or transport.

## 6. Assembly

No tools are required.

1. Position the cabinet as shown in Fig. 5.
2. Attach the bracket to the cabinet.
3. Bolt the fixing plate of the inner frame [I] to the M10 threaded of the cabinet using the two handbolts [2].
4. Hand tighten the handbolts.

## 7. Operation

The centre of gravity of a M6 stage monitor is in line with the bracket's axis of rotation. This prevents the vertical flying angle setting from limiting freedom of movement by creating a twisting force on the mounting support. The M6 Flying bracket is locked in place each side of the cabinet using two handbolts [F].

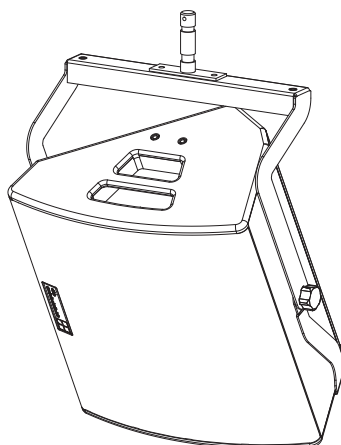
### Vertical adjustment

1. Slacken the handbolts [F].
2. Set the desired vertical angle.
3. Tighten the handbolts.

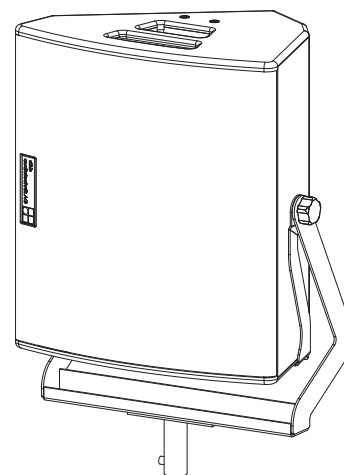
### Horizontal adjustment

The loudspeaker is aligned horizontally at the Loudspeaker stand adapter or the TV spigot mounting.

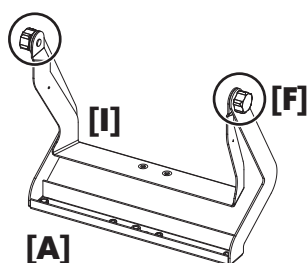
## 8. Application examples



**Fig. 7: Z5057 M6 Flying bracket with Z5010 TV spigot**



**Fig. 8: Z5057 M6 Flying bracket with Z5024 loudspeaker stand adapter**



**Fig. 9: Z5057 M6 Flying bracket Maintenance and care**

## 9. Maintenance and care

### 9.1. Cleaning

Regularly clean the bracket and lubricate the sockets with WD-40® or a similar product.

### 9.2. Inspection

Regularly carry out a visual and functional inspection of the bracket.

### 9.3. Test recommendations

1. Visual inspection for deformation and damage (e.g. cracks and corrosion) of the outer **[A]** and inner **[I]** frame.
2. Visual inspection of the threaded inserts of the tie bar of the outer frame for damage (e.g. cracks and corrosion)
1. Functional inspection of the two handbolts **[F]**.

## EC Declaration of Conformity

within the meaning of the EC Machine Directive 98/37/EEC

We hereby declare that the equipment designated below is designed and built in the version sold by us in such a way as to comply with the relevant fundamental safety and health criteria of the applicable EC Directive(s). This declaration shall cease to be valid if alterations are made to the equipment without our prior agreement.

### **This declarations covers:**

- **Z5057 M6 Flying bracket**

For use as described in thee repective mounting instructions.

### **Relevant EC Directives:**

EC Machine Directive 98/37/EC

### **National standards and technical specifications applied, in particular:**

DIN EN ISO 12100, DIN EN 1050, BGV C1