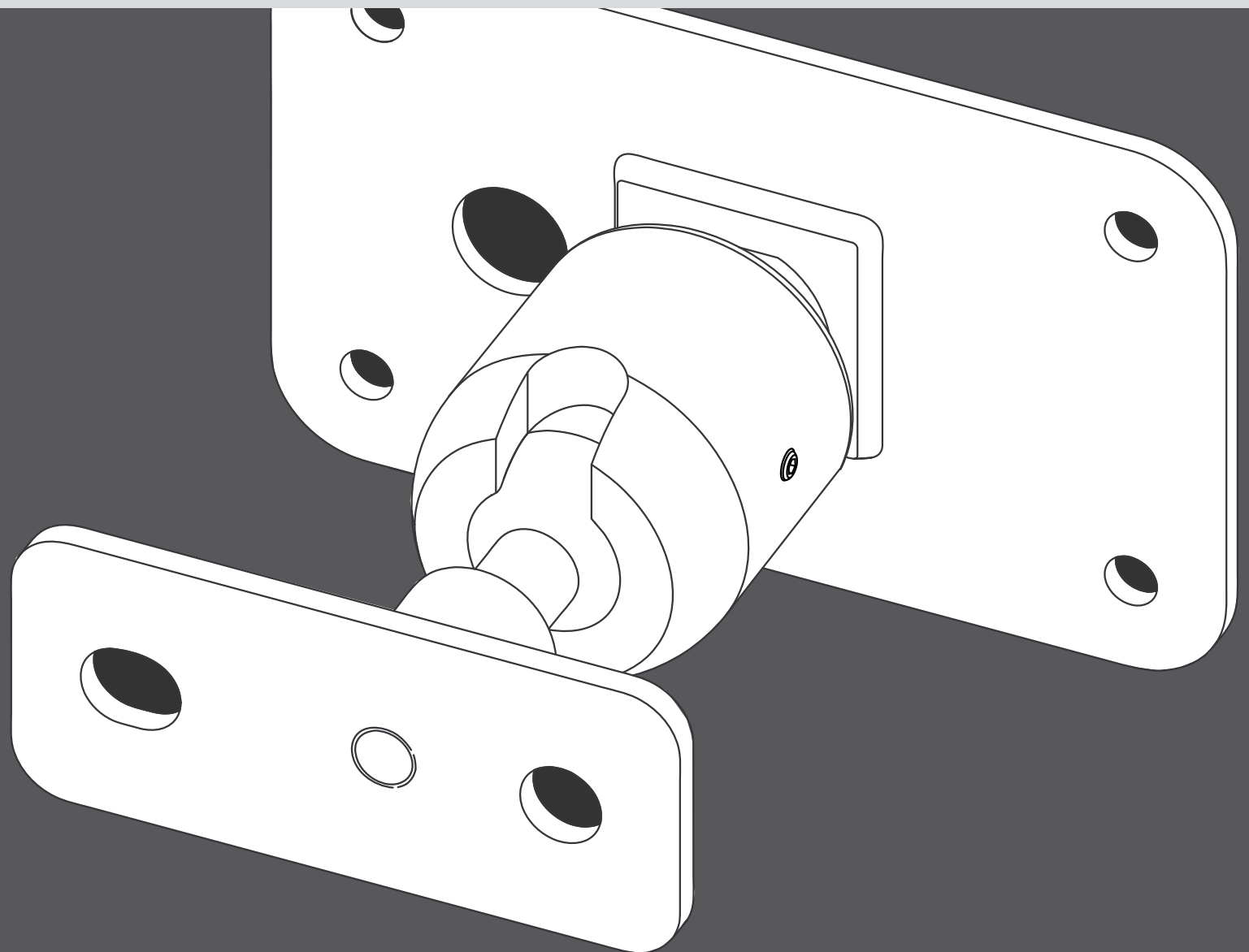


Z

Z5422 Mounting instructions 1.1 en



General information

Z5422 Mounting instructions

Version: 1.1 en, 04/2018, D2967.EN .01

Copyright © 2018 by d&b audiotechnik GmbH; all rights reserved.

Keep these mountings instructions with the product or in a safe place so that they are available for future reference.

When reselling this product, hand over these mounting instructions to the new owner.

d&b audiotechnik GmbH
Eugen-Adolff-Straße 134, D-71522 Backnang, Germany
T +49-7191-9669-0, F +49-7191-95 00 00
docadmin@dbaudio.com, www.dbaudio.com

1	Z5422 Wall mount S	4
1.1	Safety precautions.....	4
1.2	Intended use.....	4
1.3	Scope of supply.....	5
1.4	Mounting options and angle settings.....	5
1.5	Assembly.....	6
2	Fixing template	8
3	Built-in dimensions	9
4	Manufacturer's declaration	11
4.1	Conformity.....	11
4.2	Disposal.....	11

1.1 Safety precautions

General safety

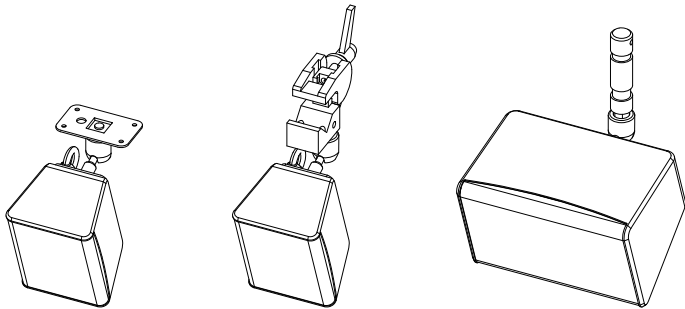
Installation and setup should only be carried out by qualified and authorized personnel observing the valid national Rules for the Prevention of Accidents (RPA).

It is the responsibility of the person installing the assembly to ensure that the suspension/fixing points are suitable for the intended use.

Always carry out a visual and functional inspection of the items before use. In case you have any doubt as to the proper functioning and safety of the items, these must be withdrawn from use immediately.

Load safety information

The maximum permitted working load of the Z5422 Wall mount S is 3 kg (6.6 lb) which implies the weight of one 4S or 5S cabinet.



1.2 Intended use

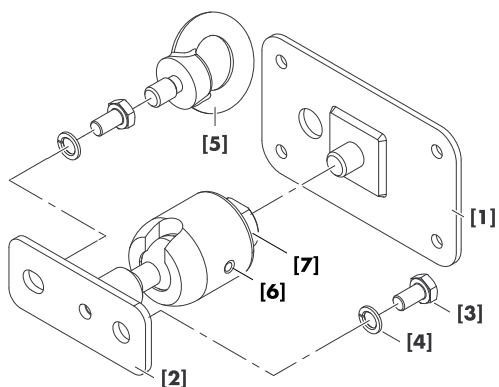
The d&b Z5422 Wall mount S must only be used in conjunction with the d&b xS-Series loudspeakers 4S and 5S as described in these mounting instructions.

The wall mount can be mounted directly to walls, ceilings or other suitable surfaces.

The M10 socket of the ball joint adapter allows the loudspeakers to be connected to different d&b mounting accessories such as:

- E6532 Super Clamp with E6533 M10 adapter for Super Clamp
- Z5029 TV spigot
- Z5035 M10 to 3/8" adapter
- Z5034 Stand adapter

Note: Refer to the specific mounting instructions for assembly and operation of these accessories.



1.3 Scope of supply

Please verify the shipment for completeness and proper condition of the items.

Qty.	d&b Code	Description
1	Z5422	d&b Wall mount S
Consisting of:		
1		Mounting plate M10 [1]
1		Ball joint adapter [2]
2		Hex head bolt M8 x 18 [3]
2		Spring washer [4]
1	Q9031	M8 Safety eyebolt [5]
2		Set screw [6] .
1		M10 socket [7] .
1	D2967.EN .01	Mounting instructions

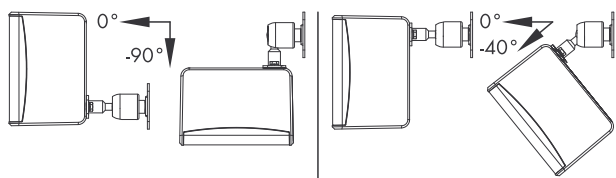
Weight0.5 kg / 1.1 lb

1.4 Mounting options and angle settings

The following mounting options and angle settings are applicable no matter whether the cabinets are mounted to walls or ceilings or other suitable surfaces.

4S loudspeaker

Depending on the location of the threaded inserts on the cabinet (bottom or top), angles can be set in the range from 0° to -90° (bottom setup) or from 0° to -40° (top setup).

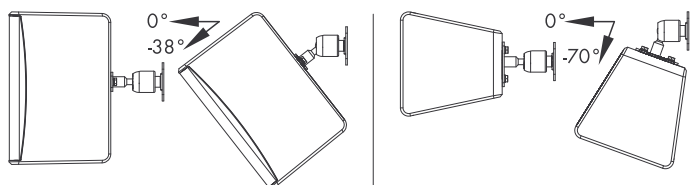


NOTICE!

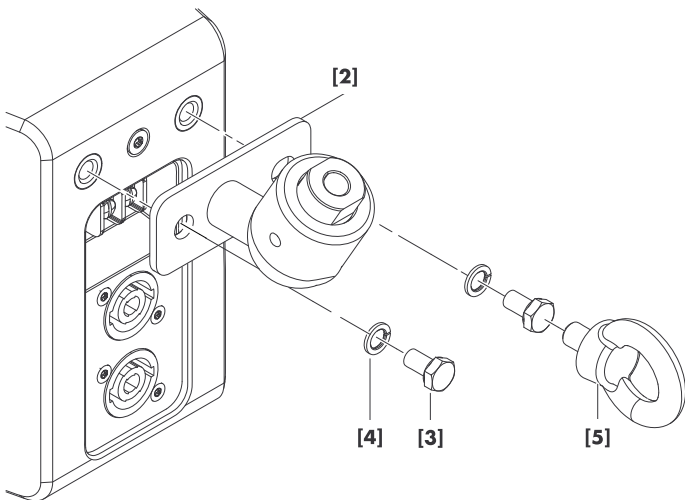
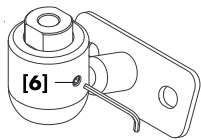
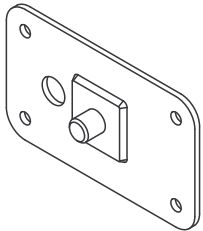
For unprotected outdoor operation the 4S cabinet must be installed with the M8 inserts located at the top of the cabinet's rear panel (top setup).

5S loudspeaker

If the 5S cabinet is mounted to a wall, both horizontal or vertical mounting is possible. Angles can be set from 0° to -38° (vertical set up) or 0° to -70° (horizontal setup).



If the cabinet is mounted to a ceiling, the horizontal setup is recommended.



1.5 Assembly

Tools required:

- Open-ended spanner/wrench (size #13 and #17)
- Allen hex key 3 mm

Mounting plate M10

NOTICE!

Only use mounting parts (fixing anchors and screws) that are suitable for the intended application.

To mount the 4S and 5S cabinets to walls, ceilings or other surfaces, use the Mounting plate M10.

A corresponding fixing template is supplied with these mounting instructions. Refer to ⇒ Chapter 2 "Fixing template" on page 8.

An additional 12 mm (0.47") hole is provided on the mounting plate as a feed-through for the connection cable.

Ball joint adapter

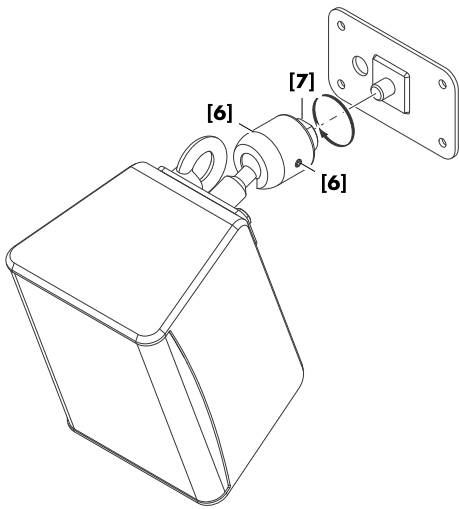
The ball joint adapter of the wall mount is equipped with two set screws [6] (left and right), one on each side. They are used to preset the clamping of the ball joint and finally to fix the ball joint.

Attaching the ball joint to the cabinet

NOTICE!

- Only use the supplied and specified screws [3], otherwise there is a risk of damaging the threaded inserts.
 - Always use the spring washers [4] to prevent the bolts from slackening.
-

1. Attach the wall mount to the two M8 threaded inserts on the rear panel of the cabinet.
2. Insert the screws together with the U and spring washers and tighten them using the spanner (#13).
Alternatively, one screw may be replaced by the supplied eyebolt [5] to allow the attachment of a secondary safety wire.

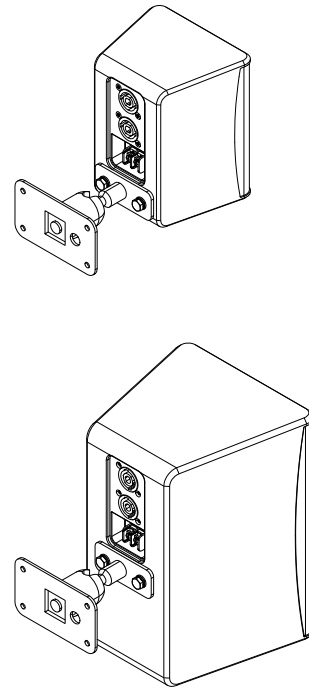
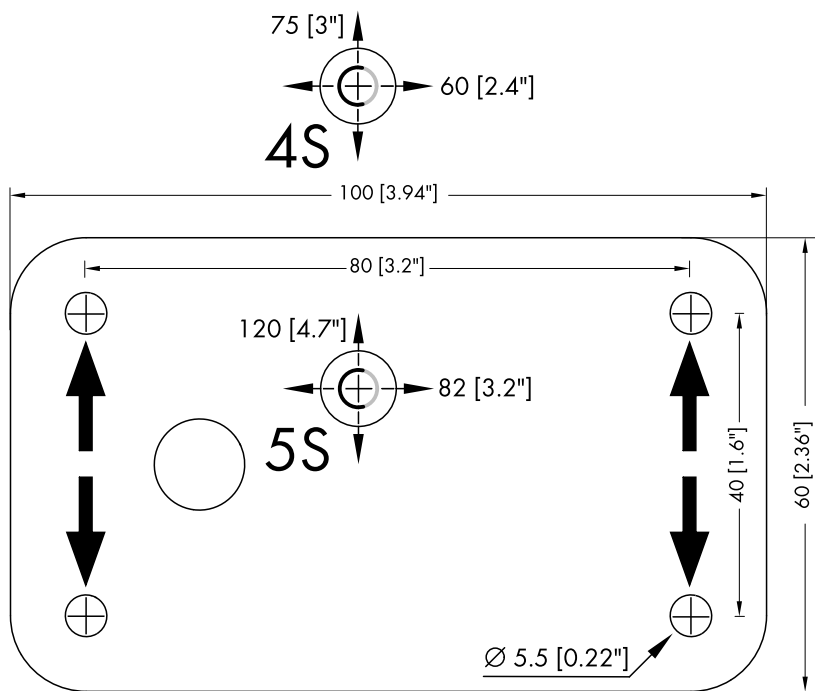


Attaching the assembly to the mounting plate

To attach the assembly to the mounting plate, proceed as follows:

1. Slacken the fixing screw the set screws **[6]** to release the M10 socket **[7]** of the ball joint.
2. Attach the assembly and bolt down the threaded insert to the mounting plate.
3. Tighten the M10 socket using the spanner (#17).
4. Set the desired angle of the cabinet and tighten the set screws **[6]**.

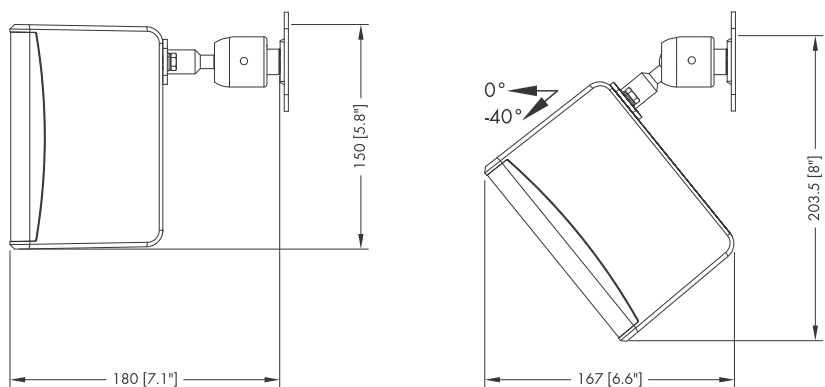
2 Fixing template



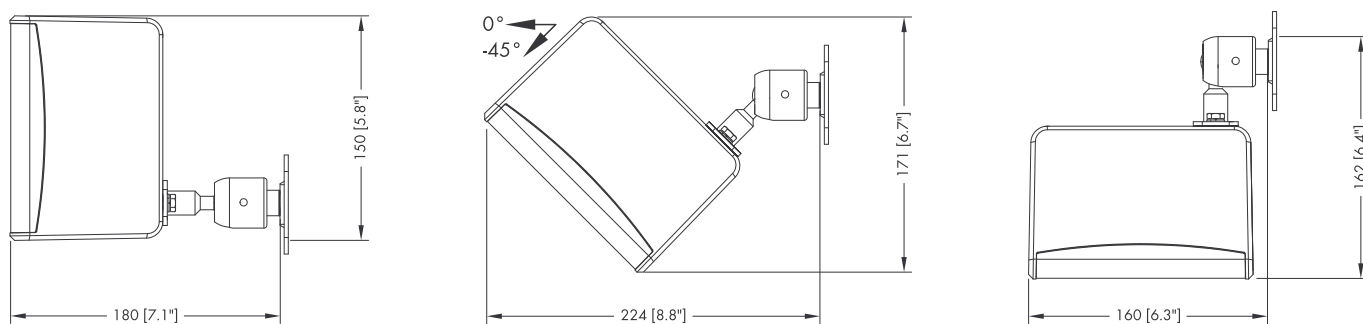
Z5422 Wall mount S, fixing template, shown with center (⊕) of the 4S/5S cabinets.

Note: Mind your printer settings and scaling.

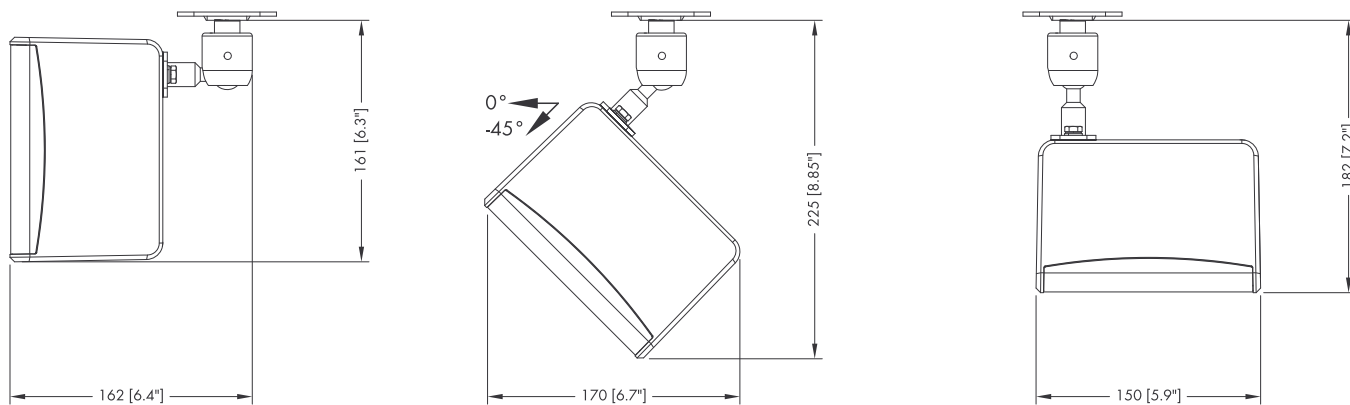
3 Built-in dimensions



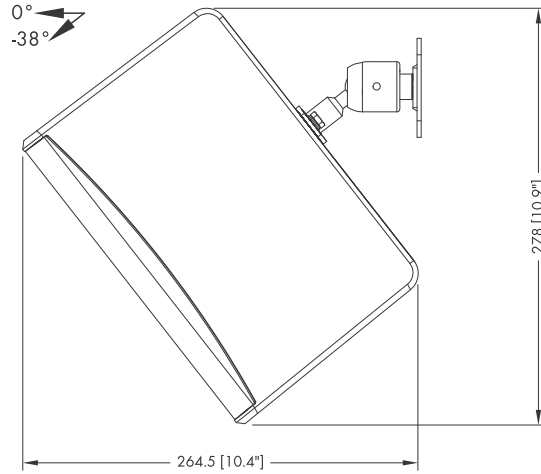
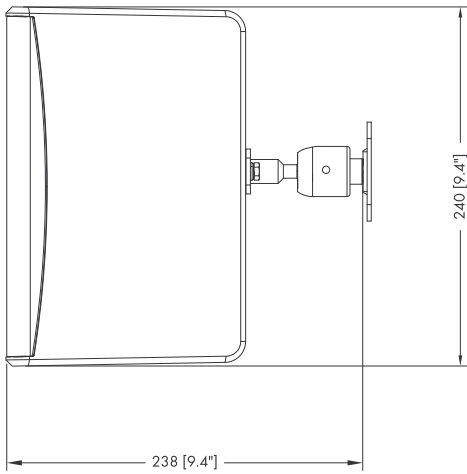
Z5422 Wall mount S, 4S wall mounted, top setup, built-in dimensions in mm [inch]



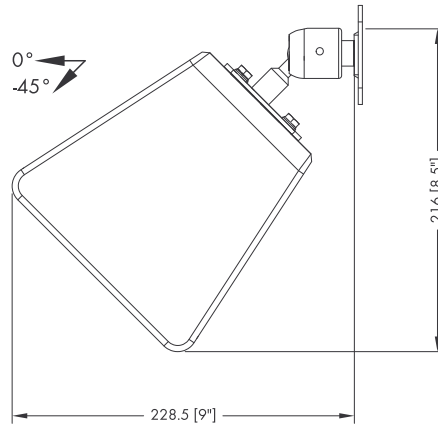
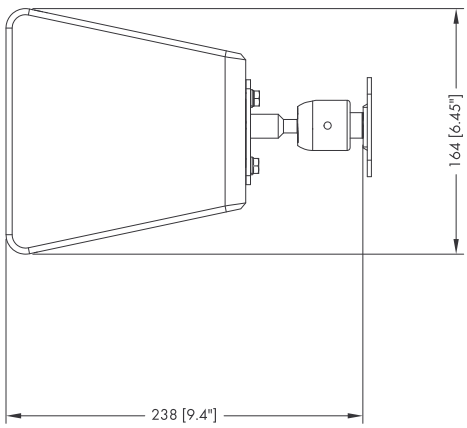
Z5422 Wall mount S, 4S wall mounted, bottom setup, built-in dimensions in mm [inch]



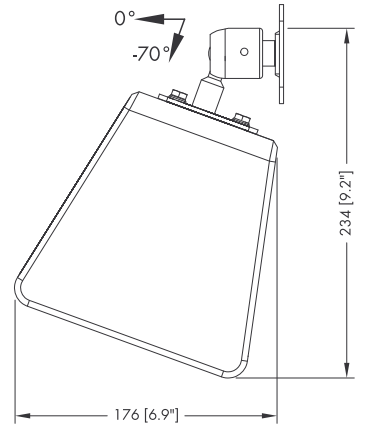
Z5422 Wall mount S, 4S ceiling mounted, built-in dimensions in mm [inch]



Z5422 Wall mount S, 5S wall mounted, vertical setup, built-in dimensions in mm [inch]



Z5422 Wall mount S, 5S wall mounted, horizontal setup, built-in dimensions in mm [inch]



4 Manufacturer's declaration

4.1 Conformity

This declaration covers:

- d&b Z5422 Wall mount S.

National standards and technical specifications applied:

DIN 18 800, DIN 1055, DGUV Vorschrift 17, BGI 810-3.

Backnang, 2018-04-27



Frank Bothe,
Managing Director
d&b audiotechnik GmbH



4.2 Disposal

When out of use the rigging components must be disposed of in accordance with the national environmental regulations.

Ensure that damaged rigging components are disposed of in a way that they cannot be used again.

