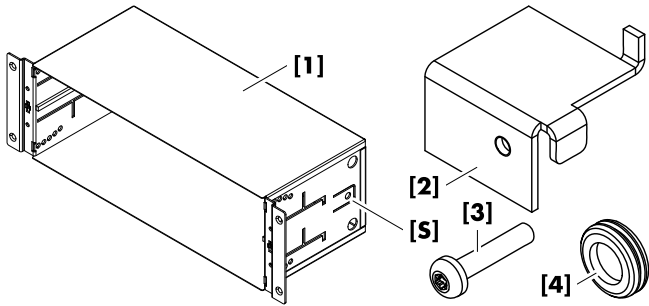


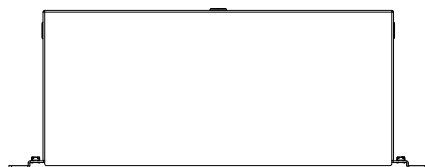
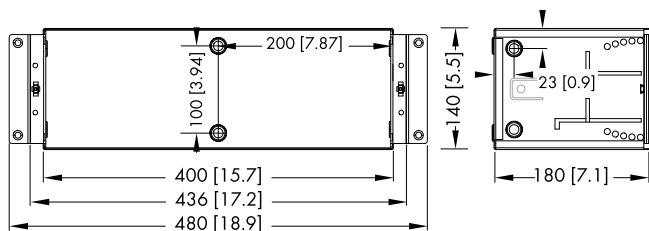
Z5427 44S Backbox

Mounting instructions 1.1 en

Scope of supply

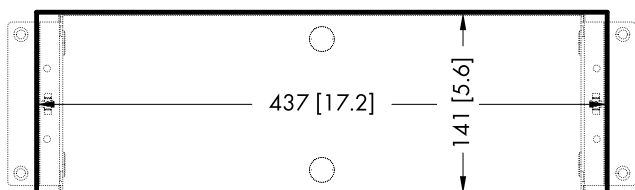


Pos.	Qty.	d&b Code	Description
[1]	1	Z5427	d&b 44S Backbox Dead weight: 2.6 kg (5.7 lb) Weight with cabinet: 6.2 kg (13.7 lb)
Including:			
[2]	4	Mounting clamp	
[3]	4	Torx screw T25, M5 x 30	
[4]	2	Cable grommet	
[5]		Fixing point for secondary safety device	
			D2633.EN .01 Mounting instructions

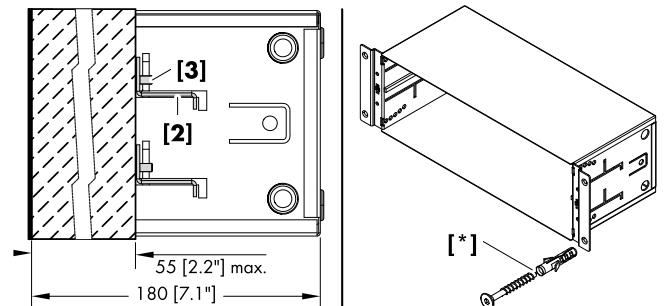


Z5427 dimensions in mm [inch]

Cutout



Wall thickness/Built-in depth



■ Dry construction:

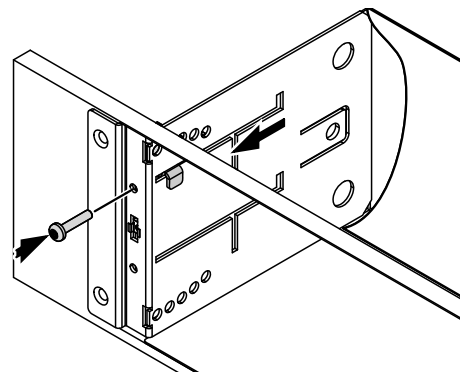
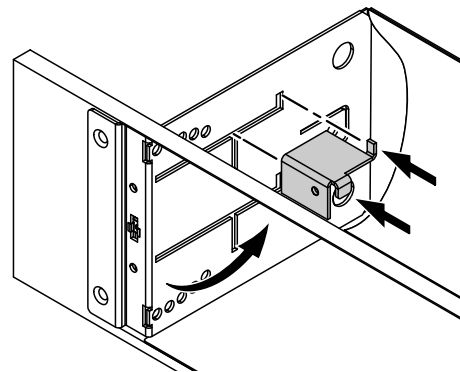
Wall thickness of up to 25 mm [1"] using the enclosed mounting clamps [2] and torx screws [3].

For greater wall thickness of up to 55 mm [2.2"], use appropriate longer screws (not enclosed).

■ Concrete construction:

Use the outer mounting ears and appropriate anchors and screws [1*] (not enclosed).

Attaching the mounting clamps

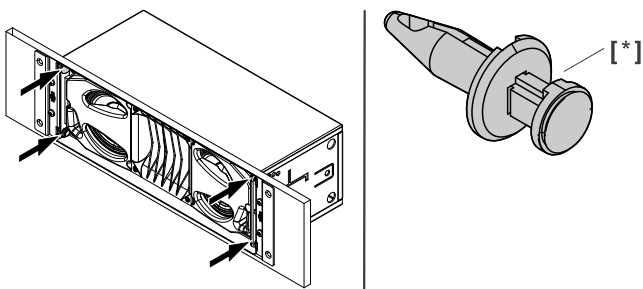


Z5427 44S Backbox

Mounting instructions 1.1 en

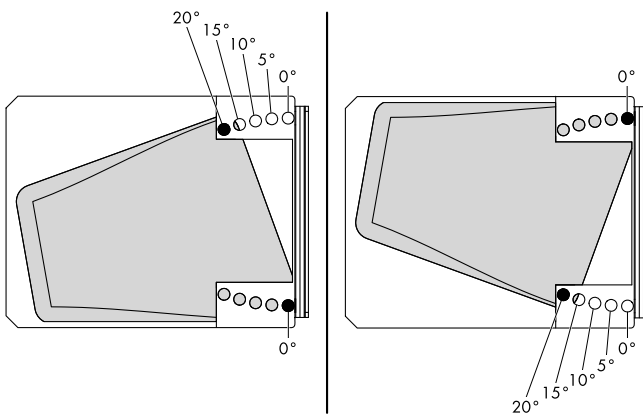
Fitting the 44S loudspeaker, flushmount

Fixing points (↗) and fixing pins [*]



[*] 4 x Fixing pin enclosed with the loudspeaker

Built-in orientation and angle ranges



Order of assembly - Tilt angle

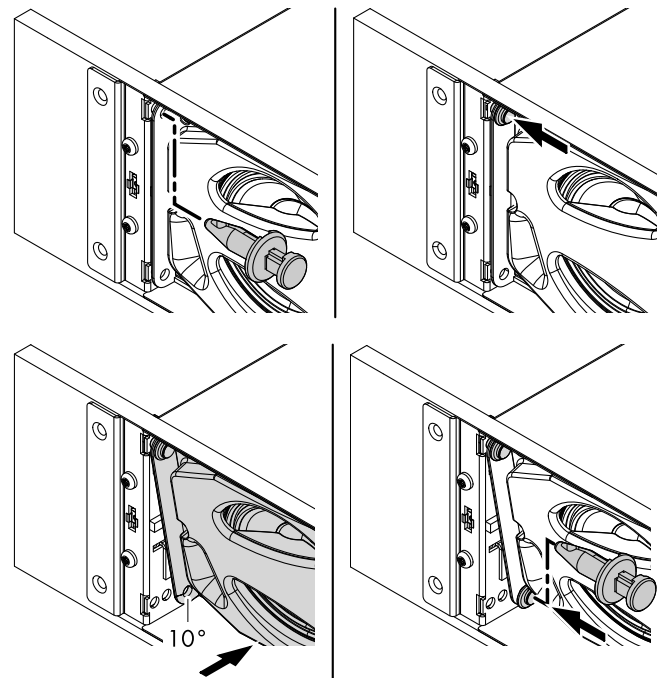
Uptilt

1. Insert two fixing pins to the bottom 0° hole positions.
2. Insert two fixing pins to the desired upper hole positions (tilt angle).

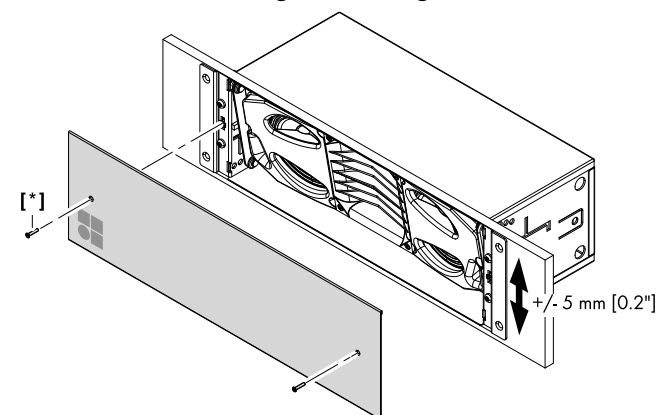
Downtilt

1. Insert two fixing pins to the upper 0° hole positions.
2. Insert two fixing pins to the desired bottom hole positions (tilt angle).

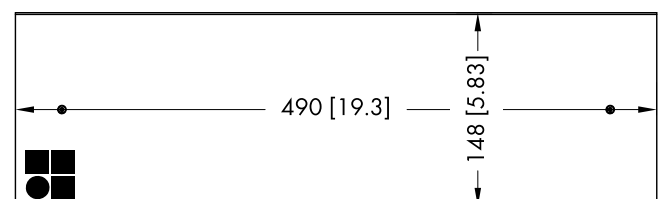
Example: 10° downtilt



Z5428 44S Backbox grill (cover grill)



[*] 2 x Torx T10, M3 x 15 Tuflock enclosed with the cover grill



Z5428 44S Backbox grill, dimensions in mm [inch]