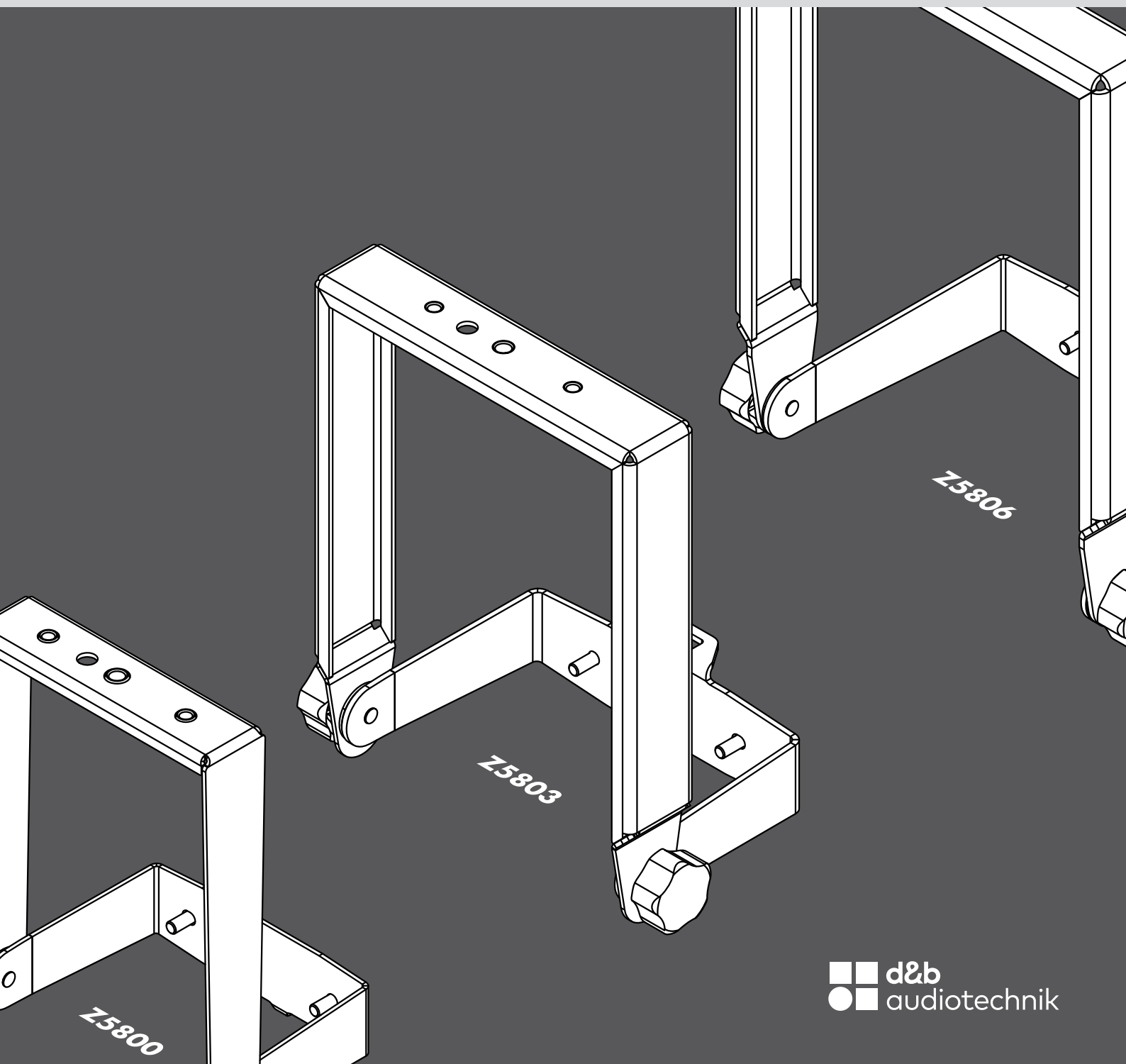


# Z

**Z5800/Z5803/Z5806**

**Mounting instructions 1.3 en**



### **Notes on document version**

All previous versions of this document are hereby no longer valid.

#### **Version 1.3:**

**Built-in dimensions:** Missing dimension measure on Z5803 and Z5806 added.

#### **Please refer to:**

⇒ Chapter 1.6 "Built-in dimensions" on page 7.

### **General information**

Z5800/Z5803/Z5806 Mounting instructions

Version: 1.3 en, 04/2026, D2792.EN .01

Copyright © 2026 by d&b audiotechnik GmbH & Co. KG; all rights reserved.

**Keep this document with the product or in a safe place so that it is available for future reference.**

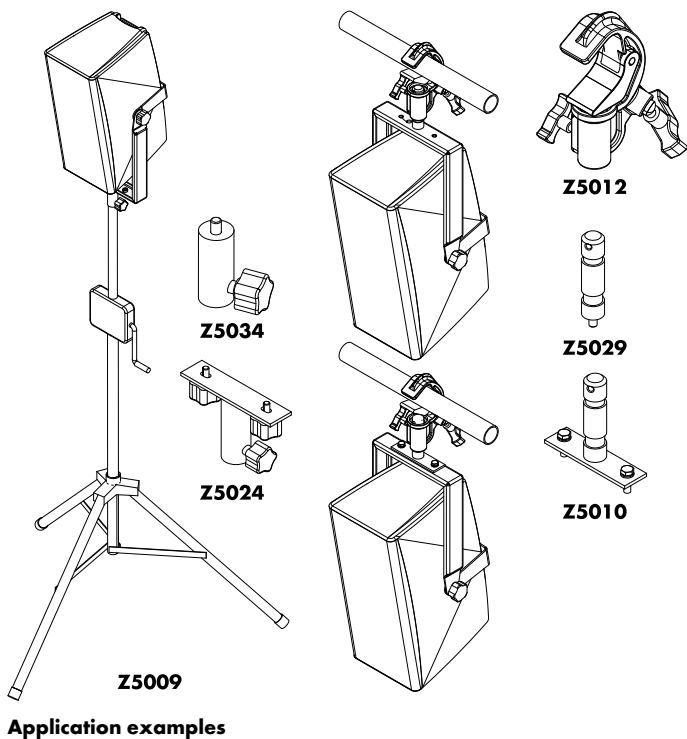
We recommend you to regularly check the d&b website for the latest version of this document.

When reselling this product, hand over this document to the new owner.

d&b audiotechnik GmbH & Co. KG  
Eugen-Adolff-Str. 134, D-71522 Backnang, Germany  
T +49-7191-9669-0, F +49-7191-95 00 00  
docadmin@dbaudio.com, www.dbaudio.com

<b>1</b>	<b>d&amp;b U-Series Swivel brackets</b>	<b>4</b>
1.1	Intended use	4
1.2	Safety precautions	4
1.3	Scope of supply and weights	5
1.4	Mounting options and angle settings	5
1.5	Assembly	6
1.6	Built-in dimensions	7
<b>2</b>	<b>Manufacturer's declarations</b>	<b>8</b>
2.1	Conformity of rigging components	8
2.2	Disposal	8

# 1 d&b U-Series Swivel brackets



## 1.1 Intended use

### Pre notes:

Throughout these mounting instructions, the application and assembly procedure are exemplarily shown and described for the U5 loudspeaker. Same applications and assembly procedures also applies to U3 and U7 as well as to U3N, U5N and U7N loudspeakers.

The U-Series swivel brackets are intended for deploying a single U-Series loudspeaker on a standard loudspeaker high stand or for flying it from bars and trusses. The swivel brackets must only be used as described in these mounting instructions.

For this purpose, the following d&b rigging accessories or equivalent components can be used:

- d&b Z5009 Loudspeaker stand with winder
- d&b Z5013 Pole with winder M20
- d&b Z5034 Loudspeaker stand adapter M10
- d&b Z5024 Loudspeaker stand adapter
- d&b Z5029 TV spigot M10
- d&b Z5010 TV spigot with fixing plate
- d&b Z5012 Pipe clamp

## 1.2 Safety precautions

### General safety

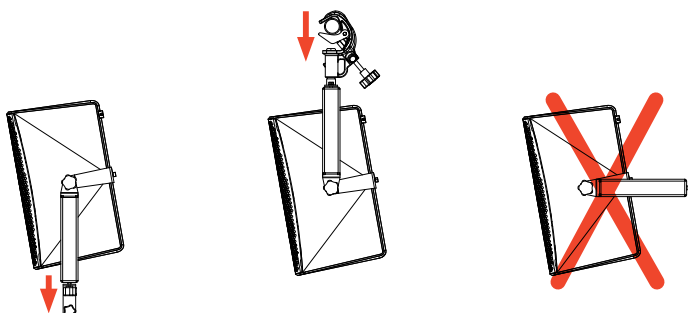
- Installation and setup should only be carried out by qualified and authorized personnel observing the valid national Rules for the Prevention of Accidents (RPA).
- It is the responsibility of the person installing the assembly to ensure that the suspension/fixing points are suitable for the intended use.
- Always carry out a visual and functional inspection of the items before use. In case there is any doubt as to the proper functioning and safety of the items, these must be withdrawn from use immediately.

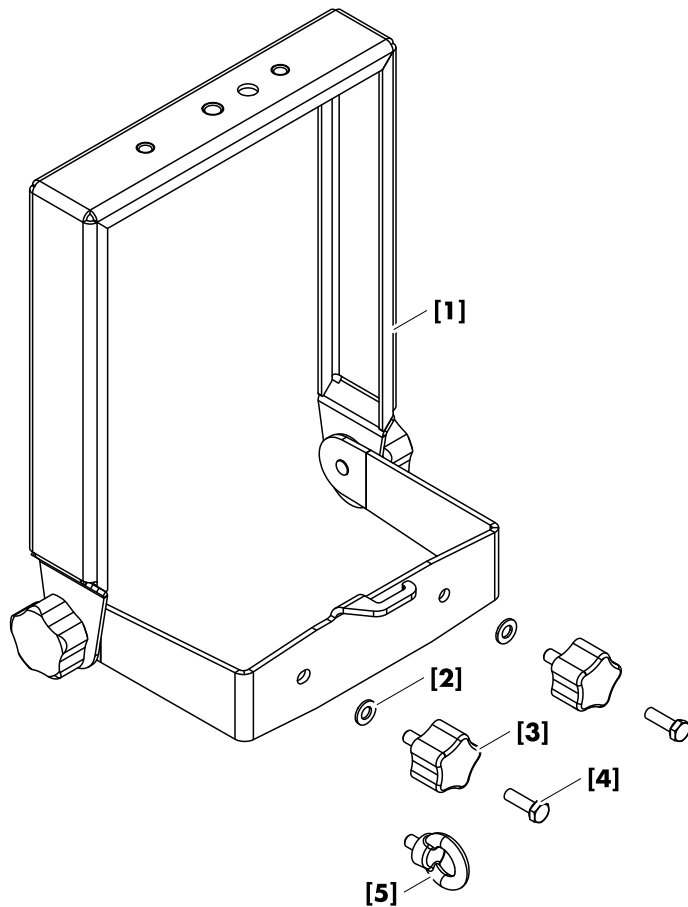
### Load safety information

#### NOTICE!

The U-Series swivel brackets are designed to carry the weight of a single U-Series cabinet either deployed on a standard loudspeaker high stand or flown from bars or trusses.

The brackets must only be used in an upright position or suspended vertically, as shown in the graphic opposite.

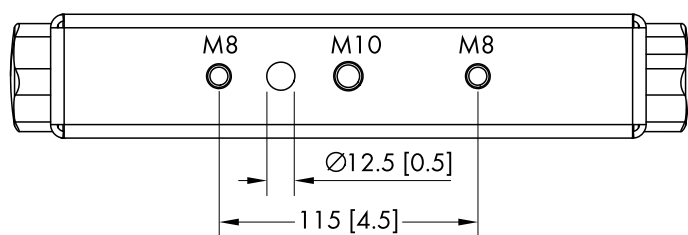




**Scope of supply**

**Exemplarily shown:** Z5803

- [3] **Hand bolt:** Intended for mobile applications
- [4] **Hex head bolt:** Intended for fixed installations



**Tie bar of the bracket**

**1.3 Scope of supply and weights**

Please verify the shipment for completeness and proper condition of the items.

Pos.	Qty.	d&b Code	Description
[1]	1	<ul style="list-style-type: none"> <li>▪ Z5800</li> <li>▪ Z5803</li> <li>▪ Z5806</li> </ul>	U3/U3N Swivel bracket U5/U5N Swivel bracket U7/U7N Swivel bracket
Including:			
[2]	2	Q5005.001.00	U-washer 8.4
[3]	2	Q9049.40.825	Hand bolt M8 x 16
[4]	2	Q3039.003.00	Hex head bolt M8 x 16
[5]		Q9031	Safety eye bolt M8
	1	D2792.EN .01	Mounting instructions

**Weights**

Z5800	1.5 kg (3.3 lb)
Z5803	2.4 kg (5.3 lb)
Z5806	3.6 kg (8 lb)

**1.4 Mounting options and angle settings**

One centered M10 threaded insert is provided to allow the attachment of either the Z5029 TV spigot in connection with the Z5012 Pipe clamp or the Z5034 Stand adapter.

Two M8 threaded inserts at the d&b standard spacing of 115 mm (4.5") are provided to allow the attachment of either the Z5010 TV spigot with fixing plate or the Z5024 Stand adapter.

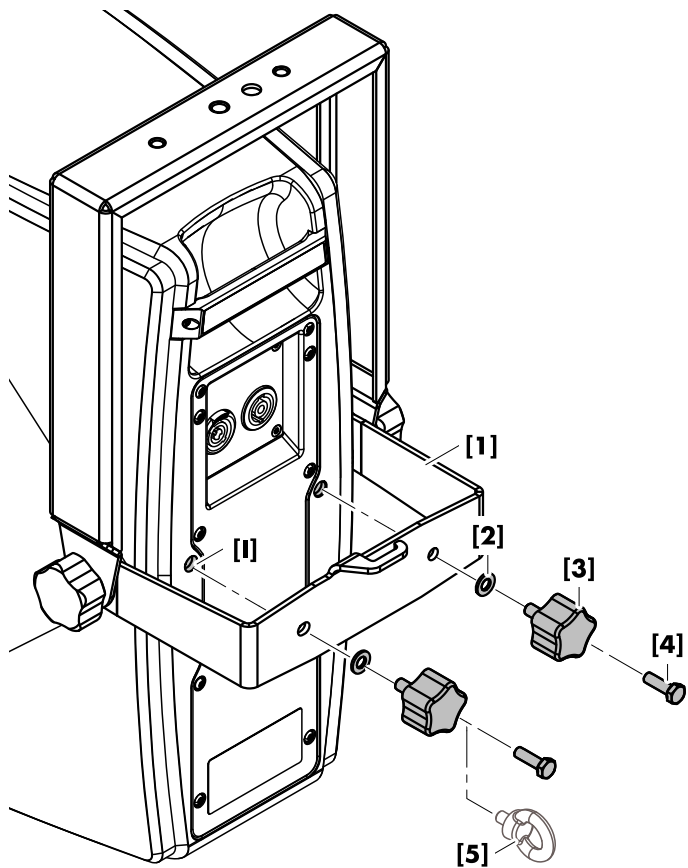
**Horizontal and vertical aiming**

The horizontal aiming is set using the loudspeaker stand adapter or the TV spigot assembly.

Vertical angles can be set continuously in the range of 90°.

**Additional hole**

The additional 12.5 mm (0.5") hole of the tie bar allows the attachment of additional mounting accessories, such as a half coupler.



## 1.5 Assembly

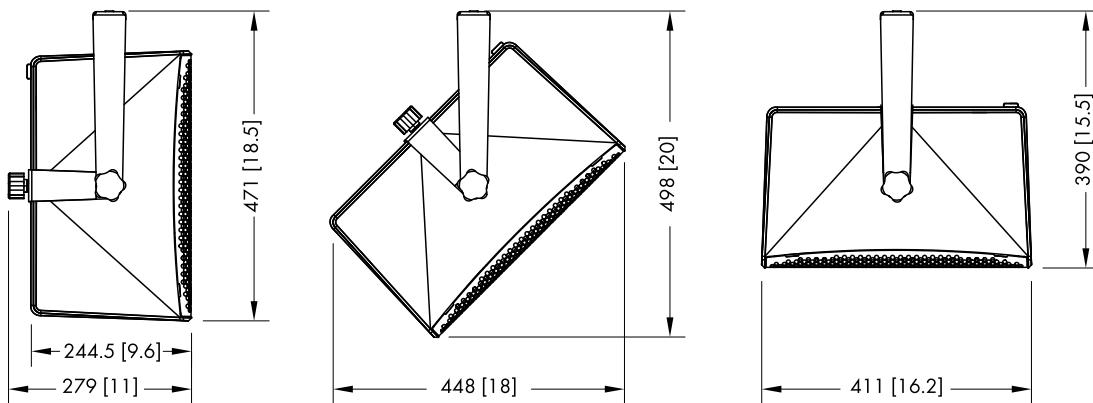
### NOTICE!

Only use the supplied and specified screws, otherwise there is a risk of damaging the threaded inserts of the cabinet.

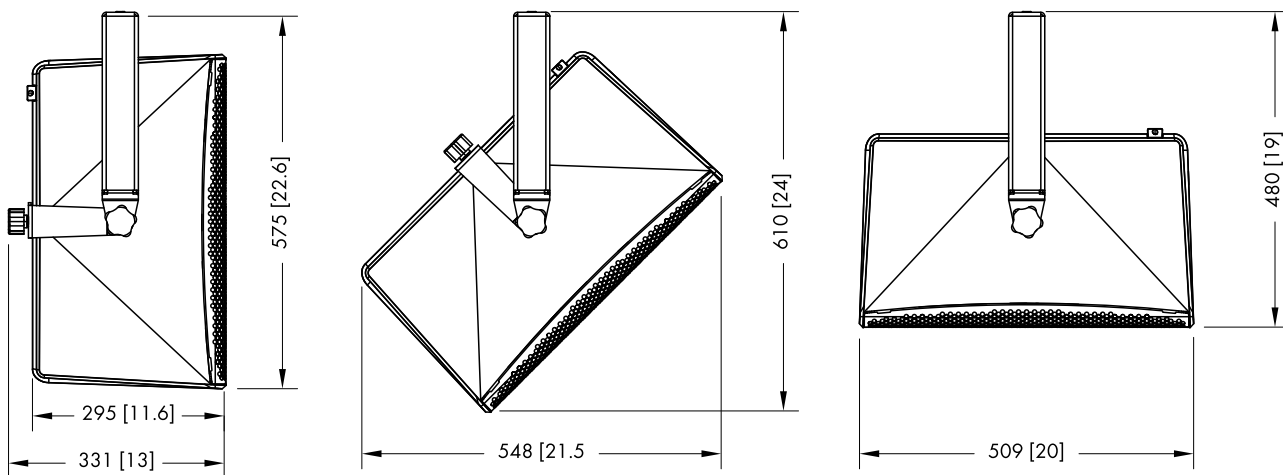
At the center rear of the cabinet, two corresponding M8 threaded inserts [1] are provided for the attachment of the bracket.

1. At the rear, attach the bracket [1] to the cabinet's threaded inserts [1], as shown in the graphic opposite.
2. Insert the hand bolts [3] together with the U-washers [2] and hand-tighten the screws.
  - ↳ For fixed installations, the hex head screws [4] can be used alternatively.
    - ⇒ Tool required: Torque wrench #13 mm.
3. If a secondary safety device needs to be attached, use the enclosed safety eye bolt [5] instead of one of the hand bolts [3] or hex head screws [4].

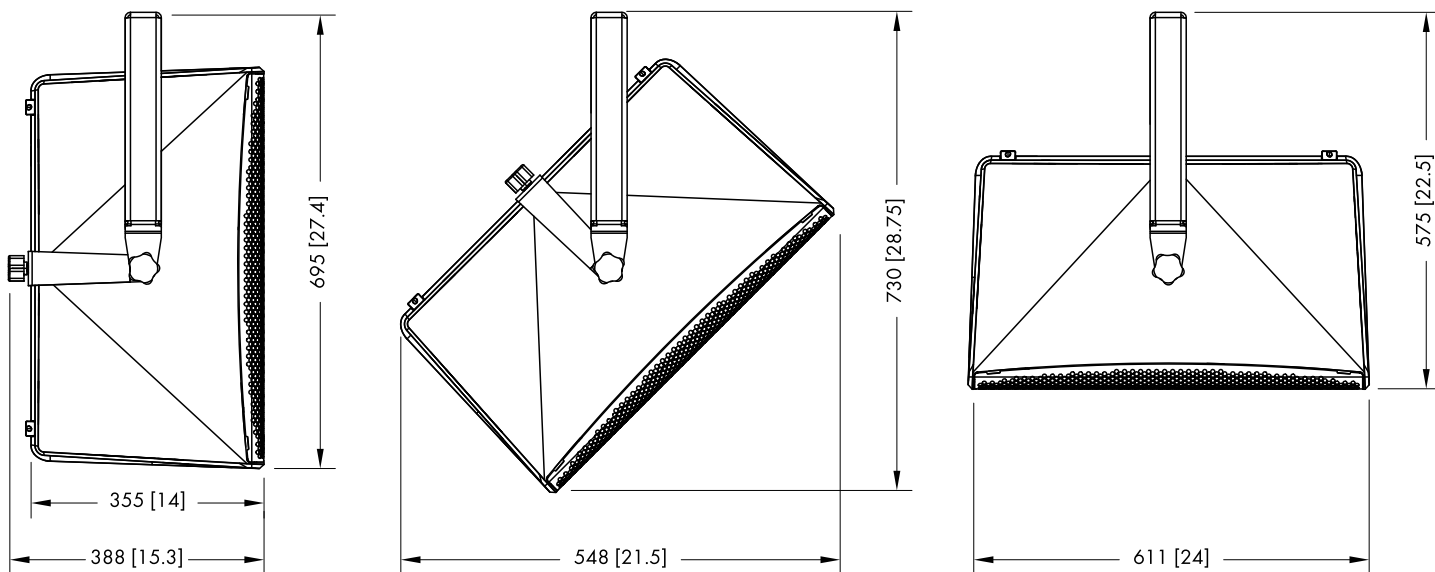
### 1.6 Built-in dimensions



**Z5800 Built-in dimensions in mm [inch]**



**Z5803 Built-in dimensions in mm [inch]**



**Z5806 Built-in dimensions in mm [inch]**



### 2.1 Conformity of rigging components

This declaration applies to:

- **d&b Z5800/Z5803/Z5806** U-Series Swivel bracket

by d&b audiotechnik GmbH & Co. KG.

All product variants are included, provided they correspond to the original technical version and have not been subject to any later design or electromechanical modifications.

We herewith declare that said products are in conformity with the provisions of the respective directives including all applicable amendments.

Detailed and applicable declarations are available on request and can be ordered from d&b or downloaded from the d&b website at [www.dbaudio.com](http://www.dbaudio.com).

WEEE-Reg.-Nr. DE: 13421928

### 2.2 Disposal

When out of use, the rigging components must be disposed of in accordance with the national environmental regulations.

Ensure that damaged rigging components are disposed of in a way that they cannot be used again.

