

The Vi10P loudspeaker



Vi10P loudspeaker

The installation specific 3-way passive Vi10P loudspeaker features two 10" drivers in a dipole arrangement with a horn loaded 8" MF driver and a 1.4" compression driver mounted onto a rotatable CD horn. The innovative horn design for the centrally mounted 8" MF driver produces a remarkable sensitivity resulting in an exceptional performance in the vocal range. An advanced bass-reflex and venting design delivers an extended LF output with full bandwidth capabilities. All components are arranged symmetrically around the centre axis of the cabinet to produce a perfect symmetrical dispersion pattern. Due to the dipolar arrangement of the LF drivers, broadband dispersion control is maintained down to approximately 350 Hz in the same plane as the dipole.

The high performance Vi10P point source provides a broad variety of deployment possibilities, especially when used as a stand-alone full range system, or combined with other elements from the V-Series, either ground stacked or flown. The HF horn can be rotated by 90° to enable horizontal orientation.

The loudspeaker cabinet is constructed from marine plywood, and has an impact resistant paint finish. The front of the loudspeaker cabinet is protected by a rigid metal grill. M10 threaded inserts are provided for attaching d&b rigging hardware. The Weather Resistant option enables the operation of loudspeakers in changing ambient conditions, and features a fixed cable. The Vi10P can be supplied in any RAL colour. This Special Colour option can also be provided for rigging accessories. The acoustically transparent foam fitted behind the rigid metal grill is also painted with the requested RAL colour.

d&b amplifiers

The d&b audiotechnik loudspeaker range is designed exclusively for operation with d&b amplifiers. These provide power as well as comprehensive control and protection functions tailored to achieve the performance, reliability and longevity associated with the d&b System approach.

The d&b D80 amplifier or the installation specific 30D amplifier are recommended to drive the Vi10P. The d&b D20 amplifier can also be used with the appropriate loudspeaker configuration selected.

System data

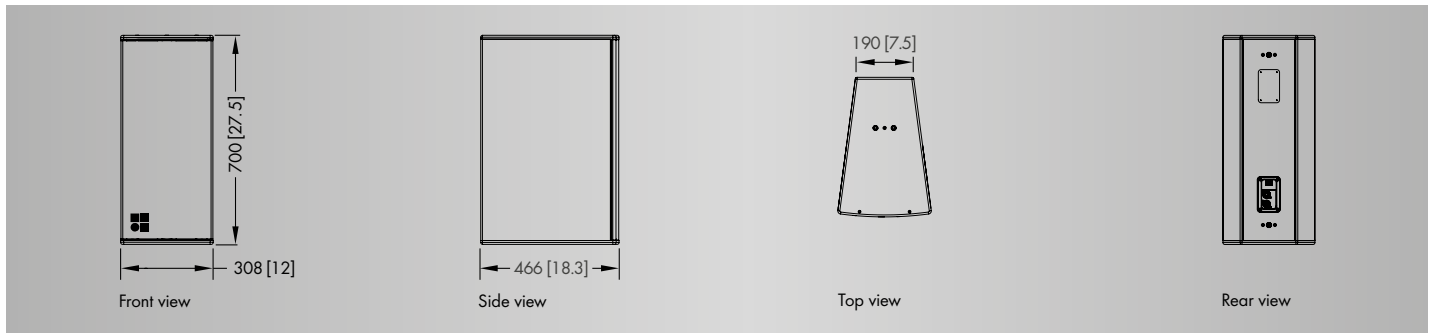
Frequency response (-5 dB standard)	59 Hz - 18 kHz
Frequency response (-5 dB CUT mode)	100 Hz - 18 kHz
Max. sound pressure (1 m, free field) ¹
with 30D/D20	136 dB
with D80	139 dB

Loudspeaker data

Nominal impedance	8 ohms
Power handling capacity (RMS/peak 10 ms)	500/2000 W
Nominal dispersion angle (h x v)	110° x 40°
Components	2 x 10" driver with neodymium magnet
.....	1 x 8" driver with neodymium magnet
.....	1 x 1.4" exit compression driver
.....	passive crossover network
Connections	2 x NLT4 F/M
.....	optional 2 x NL4 or 2 x EP5
Weight	33 kg (75 lb)

¹ Broadband measurement, pink noise, crest factor 4, peak measurement, linear weighting

The Vi10P loudspeaker



Vi10P cabinet dimensions in mm [inch]

Features and benefits

- Installation specific high performance point source loudspeaker
- Compact and powerful performance in a single box
- 3-way passive design with 2 x 10" LF drivers, 1 x horn loaded 8" MF driver and 1 x 1.4" exit HF driver on a rotatable CD horn
- Extended LF performance from large cabinet volume and port design
- Extended MF performance from high sensitivity mid range horn
- Outstanding performance/size ratio (SPL) for applications, where smaller line arrays are not first choice
- Impressive throw and even tonality at longer distances
- Highest SPL at lowest distortion

Applications

- Music and live program reinforcement for permanent installations
- Theatrical sound reinforcement
- Concert halls
- Live performance venues
- Night clubs
- Houses of Worship

Architectural specifications

The 3-way dipolar, passive loudspeaker shall consist of two 10" low frequency drivers, an integrated mid-range unit comprising one 8" midrange driver, all with a neodymium magnet assembly and one, coaxially mounted 1.4" exit neodymium compression driver coupled to a rotatable CD horn and a passive crossover network.

The loudspeaker shall only be operated by a dedicated, compatible controller amplifier.

The cabinet enclosure shall be made from marine plywood with an impact resistant black paint finish. Special colours according to RAL table and a weather resistant option shall be available upon request. The drivers shall be protected by a rigid metal grill backed by an acoustically transparent foam.

The cabinet shall incorporate two M10 threaded inserts each, on the top, bottom and rear panel for the secure attachment of dedicated mounting brackets.

The connection panel on the back shall be recessed and fitted with two speakon NL4 M sockets and a two pole screw terminal block. A cover plate for protection of the connection panel shall be included.

The HF horn shall have a nominal dispersion of $110^\circ \times 40^\circ$ (h x v).

The power handling capacity shall be 500 W RMS and 2000 W peak (10 ms). The frequency response (-5 dB) measured on axis shall be 59 Hz to 18 kHz with a maximum sound pressure of at least 139 dB.

The dimensions (W x H x D) shall not exceed 308 x 700 x 466 mm (12" x 27.5" x 18.3") and shall weigh no more than 33 kg (75 lb).

The loudspeaker shall be the Vi10P by d&b audiotechnik GmbH & Co. KG.