

# d&b Qi Mounting system, Mounting instructions (2.1 EN) 1

## Safety instructions

The Qi Mounting system must only be used in conjunction with the d&b Qi-Series loudspeaker as described in this mounting instructions.

Installation should only be carried out by fully trained personnel. There are certain rules for installation that must be complied with.

It is the responsibility of the person installing the assembly to ensure that the structure being attached to is suitable for the intended use.

Secondary safeties must always be provided and used when flying or fixing loudspeaker loads overhead.

## Load safety information

The maximum permitted working load limit of the Qi Mounting system is 240 kg/530 lb or up to 9 x Qi1 loudspeaker. The over all vertical splay angle should not exceed 105° (Angle between the axis of the top and bottom cabinet of the column).

### System weights (rounded values)

Component	Weight in kg (lb)
Qi1/7/10	21 (46)
Qi-SUB/QiCSA-SUB	37(81)/40(88)
Z5145 Ci, Qi Mounting frame	7 (15.4)
Z5170 Qi Mounting adapter (in pairs)	2 (4.4)
Z5171 Qi Mounting bracket (in pairs)	3 (6.6)
Z5172 Qi-SUB Mounting bracket (in pairs)	4.5 (9.9)

## System components - Mounting sets - Assembly

D2973.E.01 Qi Mounting system, Mounting instructions

Z5145: 1 x Ci, Qi Mounting frame

Z5170: 2 x Qi Mounting adapter (for Z5145) including:

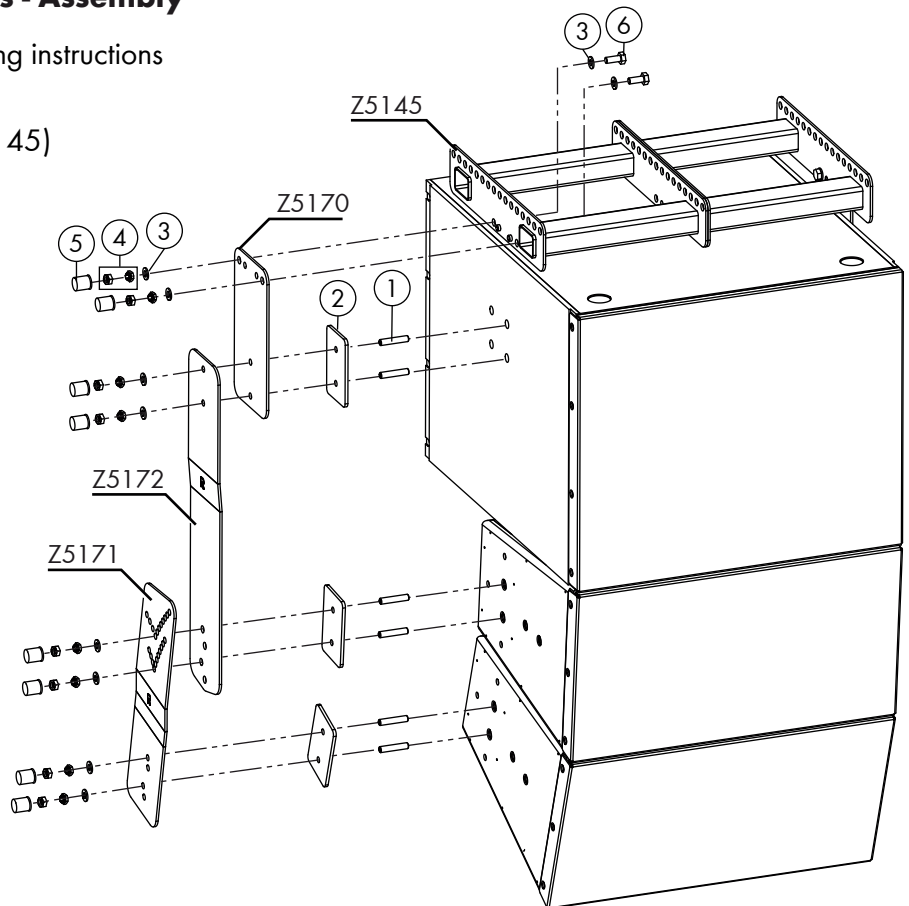
- 4 x Allen/Hex stud M10x50, Tuflock (1)
- 2 x Qi Rubber pad (2)
- 12 x U-washer 10.5 (3)
- 8 x Self locking nut M10 (4)
- 8 x Cover for M10 nut (5)
- 4 x Hexhead bolt M10 x 30 (6)

Z5171: 2 x Qi Mounting bracket including:

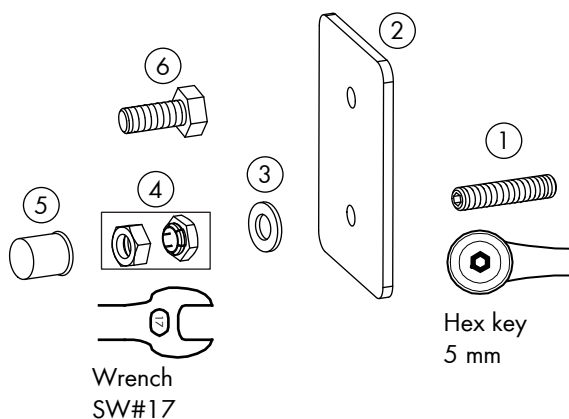
- 4 x Allen/Hex stud M10x50, Tuflock (1)
- 2 x Qi Rubber pad (2)
- 4 x U-washer 10.5 (3)
- 4 x Self locking nut M10 (4)
- 4 x Cover for M10 nut (5)

Z5172: 2 x Qi-SUB Mounting bracket including:

- 4 x Allen/Hex stud M10x50, Tuflock (1)
- 2 x Qi Rubber pad (2)
- 4 x U-washer 10.5 (3)
- 4 x Self locking nut M10 (4)
- 4 x Cover for M10 nut (5)



## Items key and tools required:



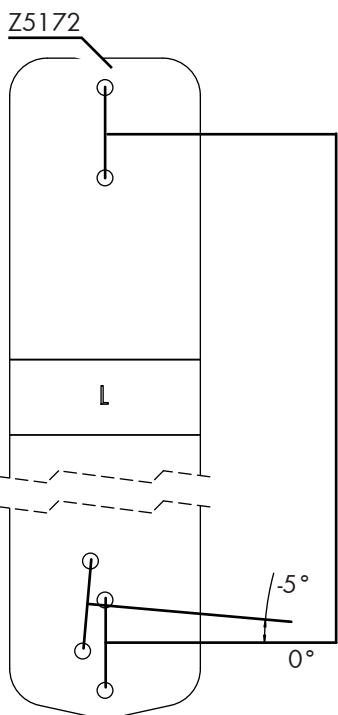
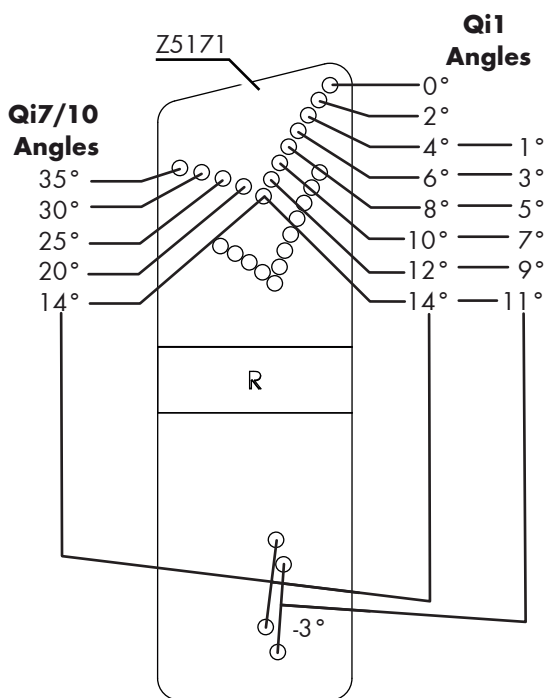
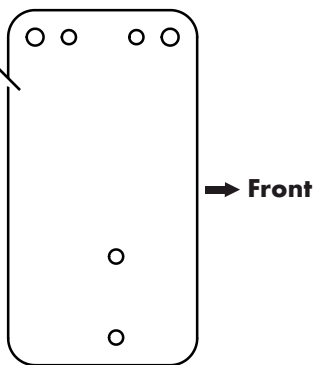
### Note:

The Z5171/72 Mounting brackets differing into Left and Right:  
 - Direction of view L/R: From loudspeaker rear side.  
 - Shown: Front view - right side

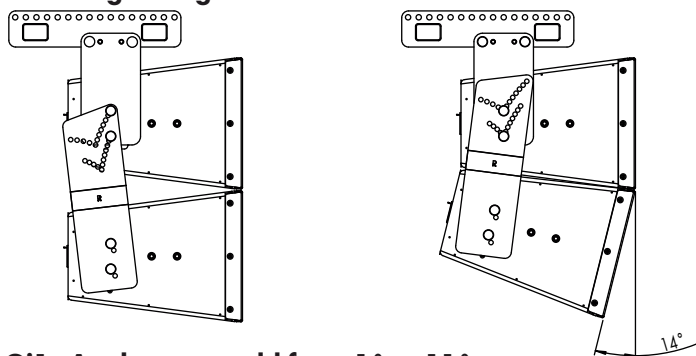
# d&b Qi Mounting system, Mounting instructions (2.1 EN) 2

## Z5171 Qi Mounting bracket/Z5172 Qi-SUB Mounting bracket - Angle ranges

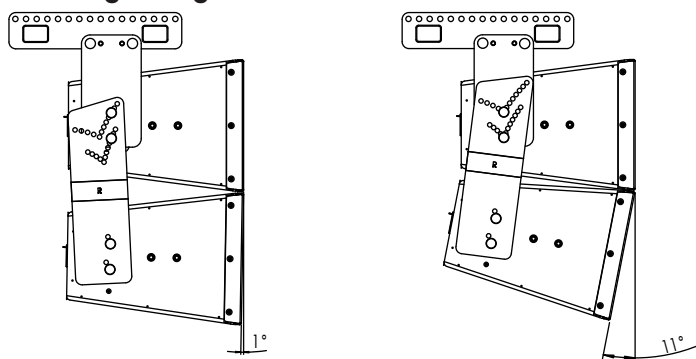
Note:  
Z5170



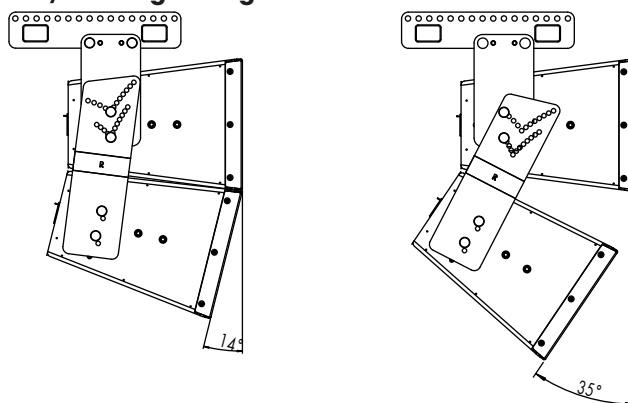
### Qi1 - Angle range even from 0° to 14°



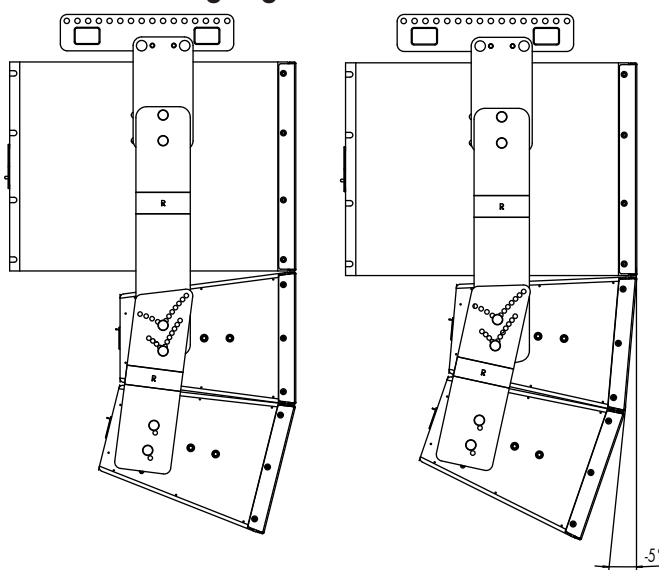
### Qi1 - Angle range odd from 1° to 11°



### Qi7/10 - Angle range from 14° to 35°



### Qi-SUB Following angle 0° or -5°



D2973.E.02, 01/2013 © d&b audiotechnik GmbH